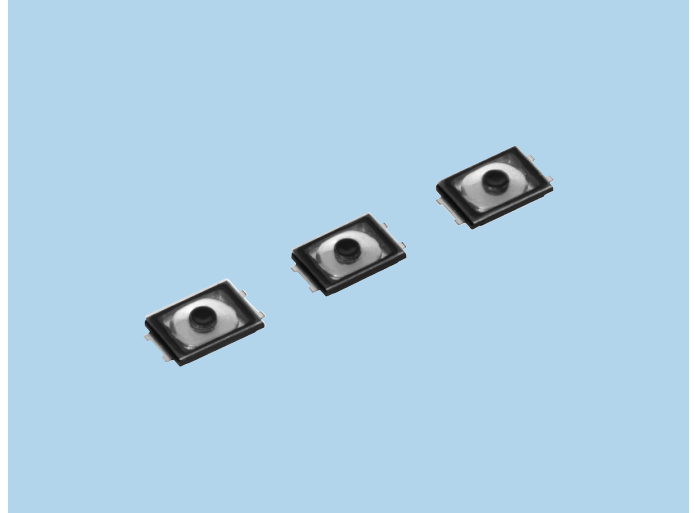


# Small Type Tactile Switches STO Series

## FEATURES

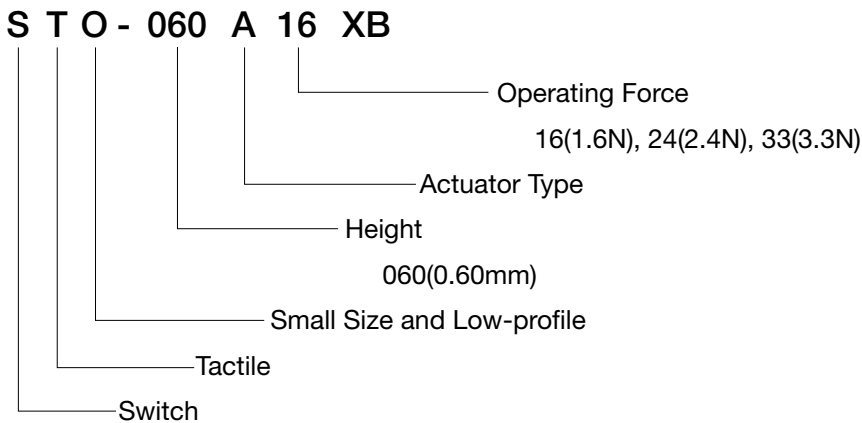
1. Small size and mounting area (Width 2.0mm).
2. Good feeling with the actuator.
3. Suitable for high load support (3.3N)
4. IPX7 water resistance.



## APPLICATIONS

Mobile Phones, Smartphones, Digital Cameras, Game Machines and etc.

## MODEL NAME CODE



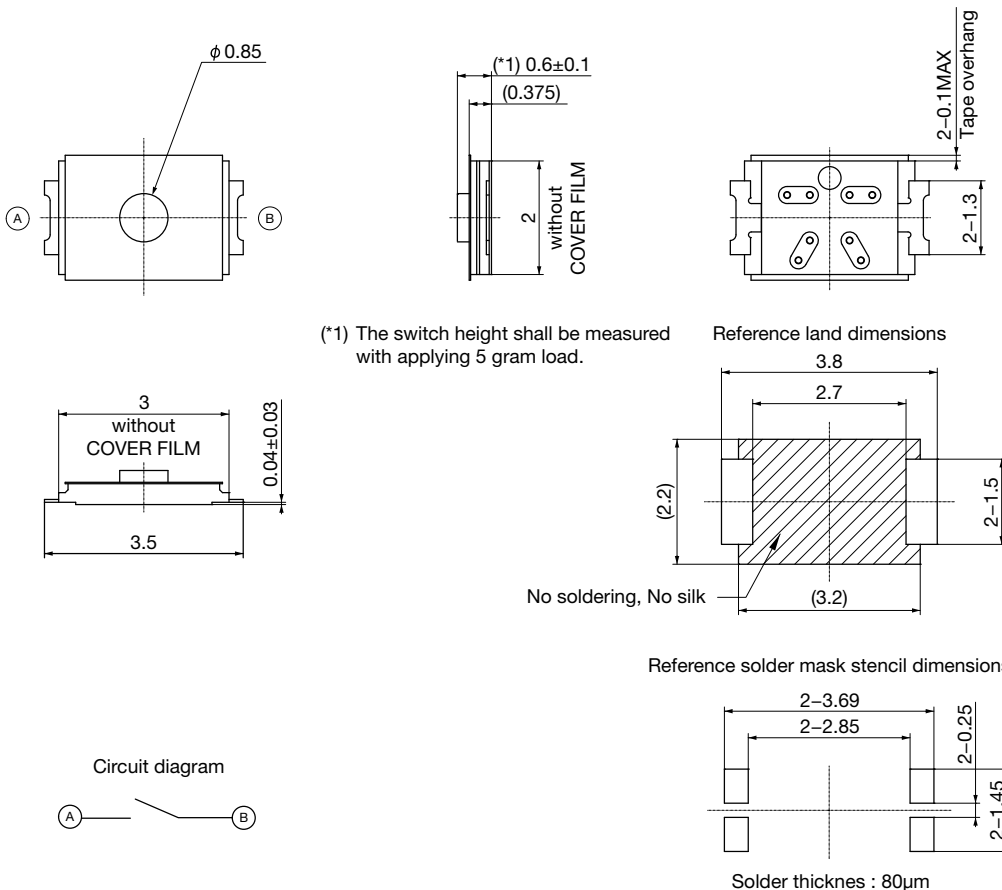
## SPECIFICATIONS

Electrical Characteristics	Rating (Resistive load)	DC15V, 20mA
	Contact Resistance	500mΩ or less
	Insulation Resistance	50MΩ or more
	Withstand Voltage	1 minute at AC 100V
Life	STO-060A16XB	500,000 times
	STO-060A24XB	500,000 times
	STO-060A33XC	300,000 times
Water Resistance	Protective resistance	IPX7

## TYPE

Model Name Code	Model Name	Operating Force	Boss	Pcs/Reel
STO-060A16XB	R 667773	1.6N	Without	20,000
STO-060A24XB	R 667774	2.4N	Without	20,000
STO-060A33XC	R 667775	3.3N	Without	20,000

## DIMENSIONS



Unit: mm