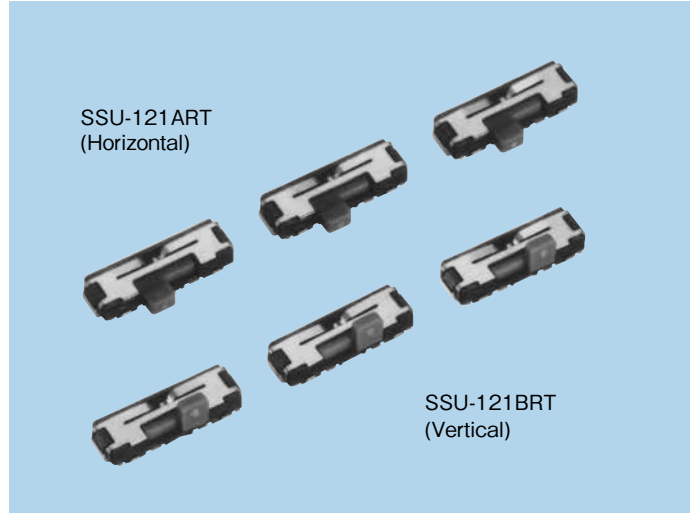


H=1.2mm Slide Switches SSU Series

FEATURES

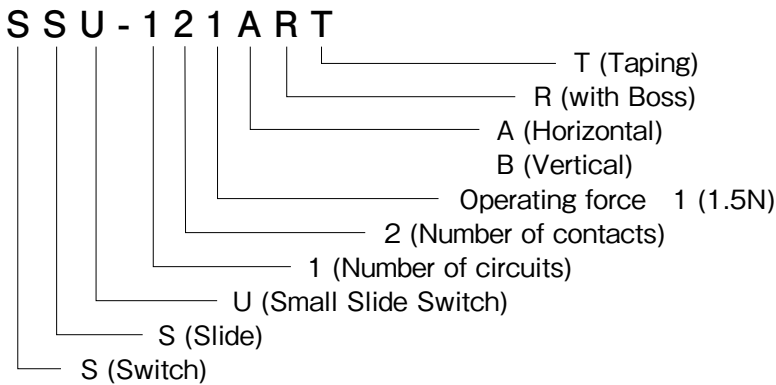
1. Small size (1-pole, 2-contacts : 6.8×2.0mm), so small mounting area.
2. Slim slide switch (1.2mm in height when installed).
3. Suitable for SMT reflow soldering.
4. Tape packaging supporting the auto mounting.
5. Travel length : 1.5mm.
6. Horizontal knobs (1-pole, 2-contacts) and vertical knobs (1-pole, 2-contacts) are available.



APPLICATIONS

1. For portable audios, remote controllers, DSC, video players, mobile phones, PDAs, etc.
2. For power switches, hold switches, mode select switches.

MODEL NAME CODE



SPECIFICATIONS

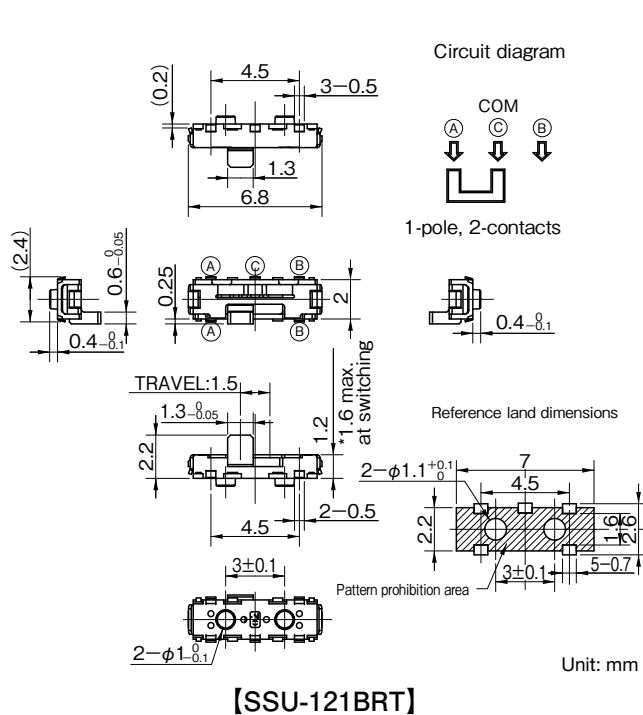
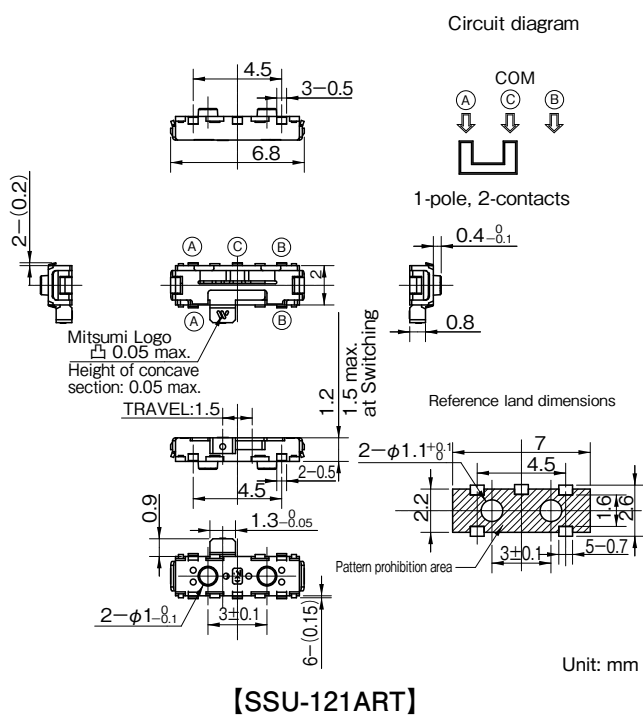
Electrical Characteristics	Rating (Resistive load)	0.3A, 4V DC
	Contact Resistance	1Ω or less
	Insulation Resistance	10MΩ or more
	Withstand Voltage	1 minute at 100V AC
Mechanical Characteristics	Operating Force	2-contacts type 1.5±1.0N
Life		10,000cycles

• Any products mentioned in this catalog are subject to any modification in their appearance and others for improvements without prior notification.
• The details listed here are not a guarantee of the individual products at the time of ordering. When using the products, you will be asked to check their specifications.

TYPE

Model Name Code	Order Number	No. of Poles	No. of Contacts	Travel (mm)	Knob Direction	Terminal Earth	Pcs/Reel
SSU-121ART	R 667016	1	2	1.5	Horizontal	without	5,000
SSU-121BRT	R 667053	1	2	1.5	Vertical	without	3,000

DIMENSIONS



• Any products mentioned in this catalog are subject to any modification in their appearance and others for improvements without prior notification.
 • The details listed here are not a guarantee of the individual products at the time of ordering. When using the products, you will be asked to check their specifications.