

N channel Power MOSFET

Monolithic IC MP1001N10T1

Outline

Low ON-state resistance with low driving voltage 100V maximum rating N-channel power MOSFET. Ideal for secondary-side synchronous rectifier switch on the AC/DC power supply unit.

Features

- | | |
|-----------------------------|------------------|
| 1. Drain - source voltage : | 100V |
| 2. Drain current : | 60A |
| 3. ON-state resistance : | 10.5mΩ @Vgs=4.5V |

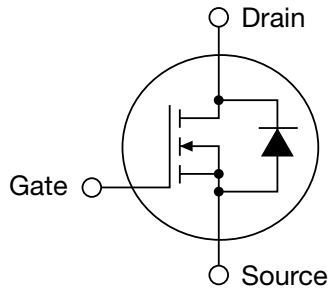
Package

TO-220A

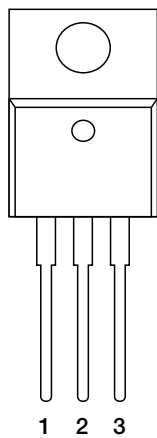
Applications

1. Secondary switch in synchronous rectification circuit
2. DC/DC Converter

Equivalent circuit



Pin Assignment



TO-220A
(TOP VIEW)

1	Gate
2	Drain
3	Source

Pin Description

Pin No.	Pin name	Functions
1	Gate	Gate
2	Drain	Drain
3	Source	Source

Absolute Maximum Ratings (Except where noted otherwise Tc=25°C)

Item	Symbol	Ratings	Units
Drain-Source Voltage	$V_{(BR)DSS}$	100	V
Gate-Source Voltage	V_{GSS}	±20	V
Drain Current	DC (Tc=25°C)	I_D	60
	Pulsed	I_{DP}	200
Single Pulsed Avalanche Energy	E_{AS}	135	mJ
Power Dissipation (Tc=25°C)	P_D	125	W
Junction Temperature	T_j	150	°C
Storage Temperature	T_{stg}	-55~150	°C

Recommende Operating Cndtions

Item	Symbol	Ratings	Units
Operating Ambient temperature	R_{thJC}	1.0	°C/W
Operating voltage	R_{thJA}	62.5	°C/W

Electrical Characteristics (Except where noted otherwise Tc=25°C)

Static Characteristics

Item	Symbol	Measurement conditions	Min.	Typ.	Max.	Units	Measuring Circuit No.
Drain-Source Breakdown Voltage	BVDSS	ID=100μA, VGS=0V	100			V	1-C
Drain Cut-off Current	IDSS	VDS=100V, VGS=0V			10.0	uA	1-E
Gate Threshold Voltage	Vth	VDS=VGS, ID=1mA	1.8		2.5	V	1-A
Gate Leakage Current	IGSS	VGS=±20V, VDS=0V			±100	nA	1-D
Drain-Source ON Resistance	RDS (on)	VGS=10V, ID=30A		9.5	12.0	mΩ	1-B
		VGS=4.5V, ID=30A		10.5	13.0		
Transconductance	Gfs	ID=60A		180.0		S	1-A

Dynamic Characteristics

Item	Symbol	Measurement conditions	Min.	Typ.	Max.	Units	Measuring Circuit No.
Total Gate Charge	Qg	VDS≒30V, VGS=10V, ID=30A		160		nC	2
Gate to Source Gate Charge	Qgs			30			
Gate to Drain Gate Charge	Qgd			40			
Switching Time	Turn-On	Td (on)		80		ns	3
	Rise Time	Tr		50			
	Turn-Off	Td (off)		200			
	Fall Time	Tf		40			
Input Capacitance	Ciss	VDS=25V, VGS=0V, f=100KHz		6000		pF	
Output Capacitance	Coss			500			
Reverse Transfer Capacitance	Crss			300			

Source-Drain Diode Ratings

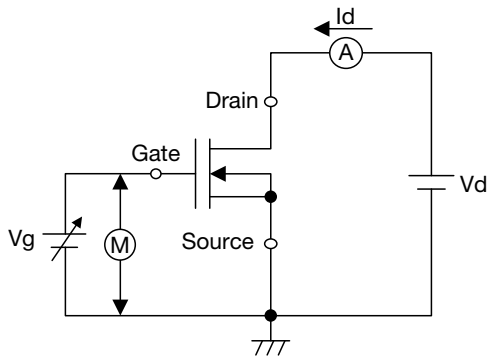
Item	Symbol	Measurement conditions	Min.	Typ.	Max.	Units	Measuring Circuit No.
Source Current	Continuous	IS=60A, VGS=0V			60	A	1-E
	Pulsed				200		
Diode Forward Voltage	VSD	IS=60A, VGS=0V		0.9	1.2	V	1-C
Reverse Recovery Time	Trr	VR≒40V, IS=60A, dIS/dt=100A/μs		60		ns	
Reverse Recovery Charge	Qrr			120		nC	

• Any products mentioned in this catalog are subject to any modification in their appearance and others for improvements without prior notification.
 • The details listed here are not a guarantee of the individual products at the time of ordering. When using the products, you will be asked to check their specifications.

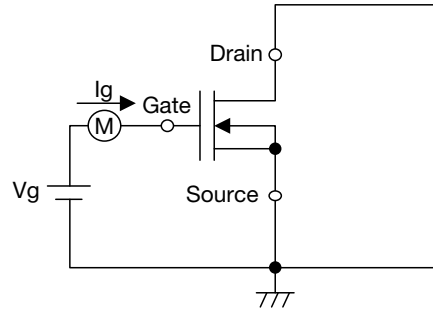
Measuring Circuit

(1) Static Characteristics

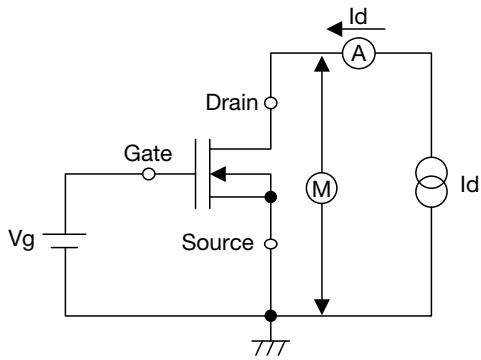
(A)



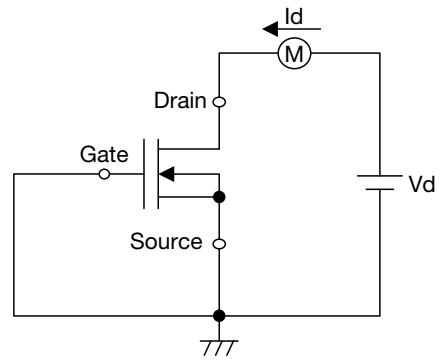
(D)



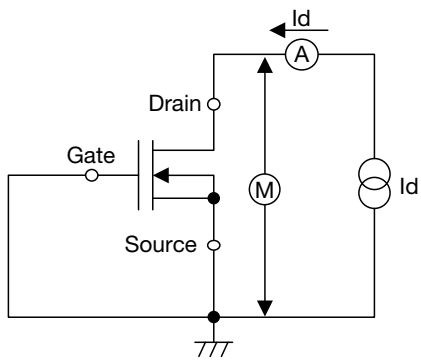
(B)



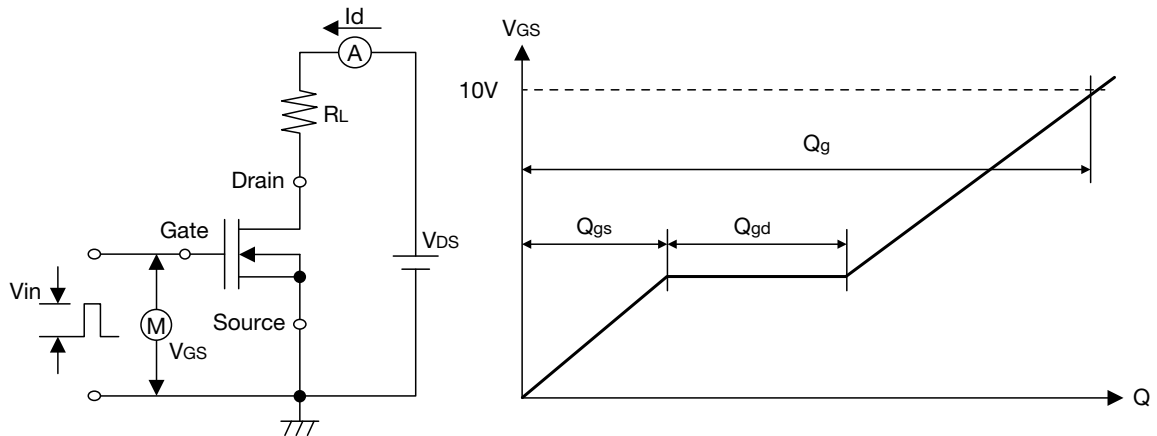
(E)



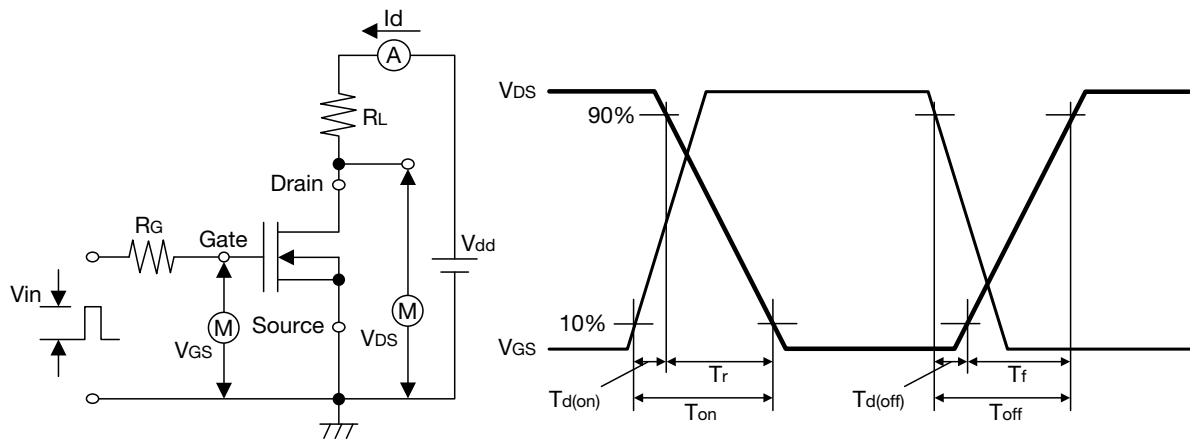
(C)



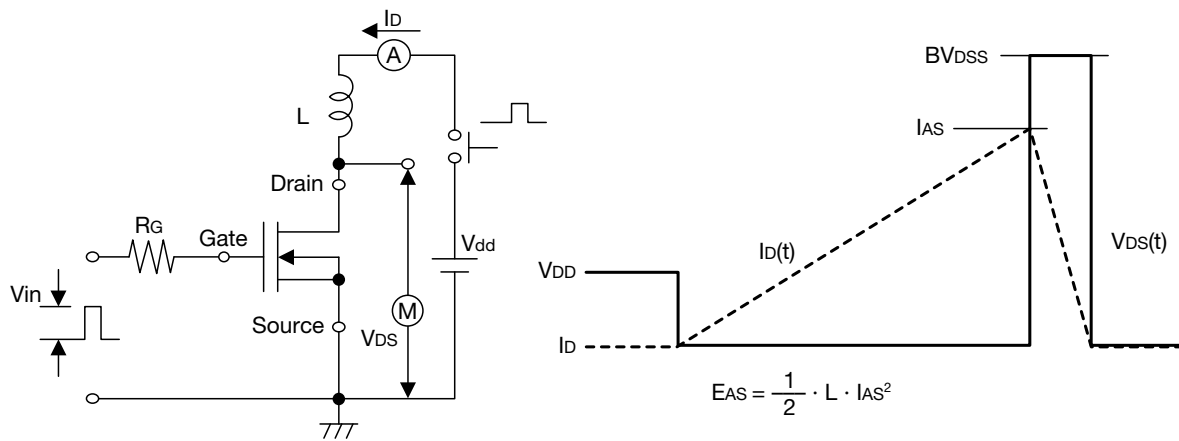
(2) Gate Charge Test



(3) Resistive Load Switching Test



(4) Avaranche Energy Test



Characteristics (Except where noted otherwise $T_c=25^\circ\text{C}$)

Fig.1 ID-VGS

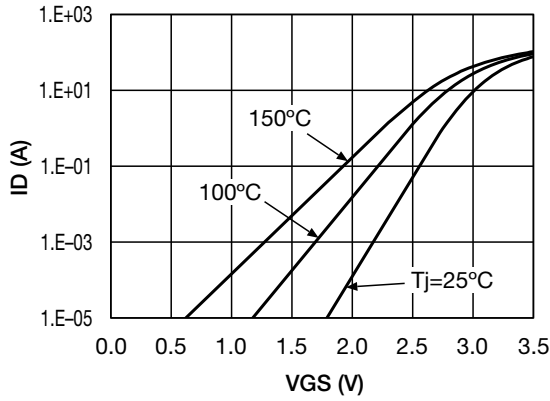


Fig.2 Vth-Tj

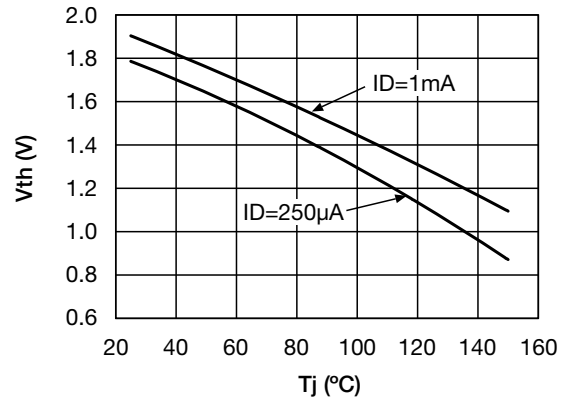


Fig.3 ID-VDS

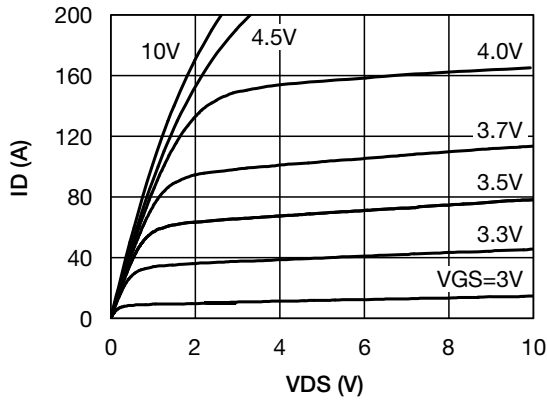


Fig.4 Ron-ID

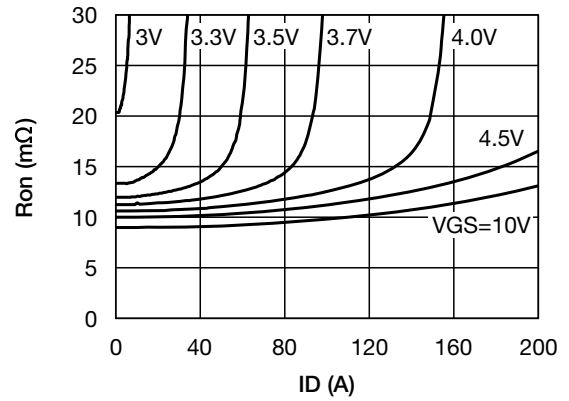


Fig.5 Ron-Tj

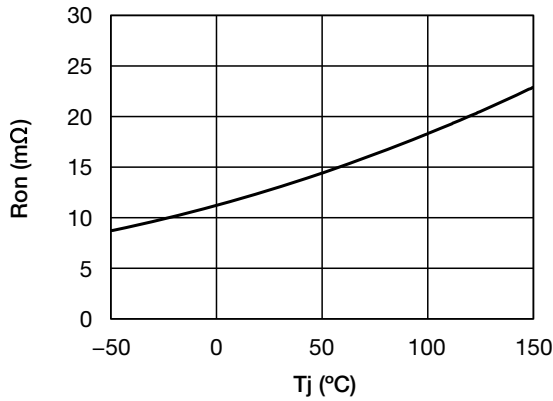


Fig.6 BVDSS-Tj

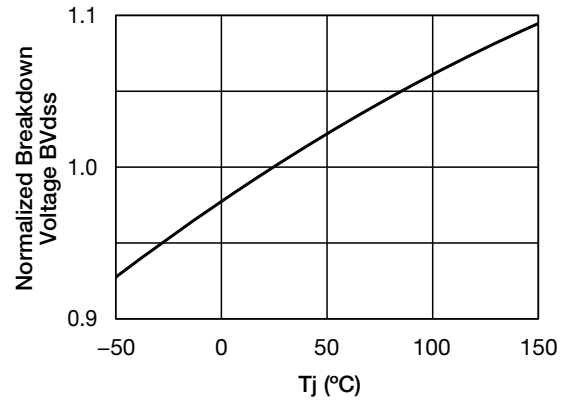
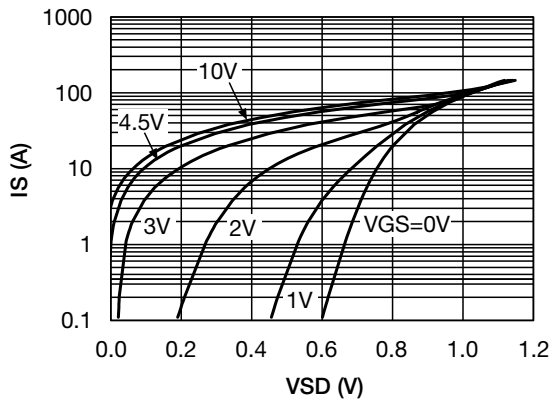


Fig.7 IS-VSD



• Any products mentioned in this catalog are subject to any modification in their appearance and others for improvements without prior notification.
 • The details listed here are not a guarantee of the individual products at the time of ordering. When using the products, you will be asked to check their specifications.

Fig.8 C-VDS

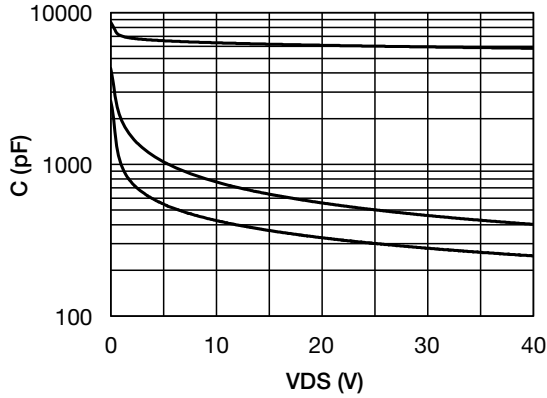


Fig.9 VGS-Q

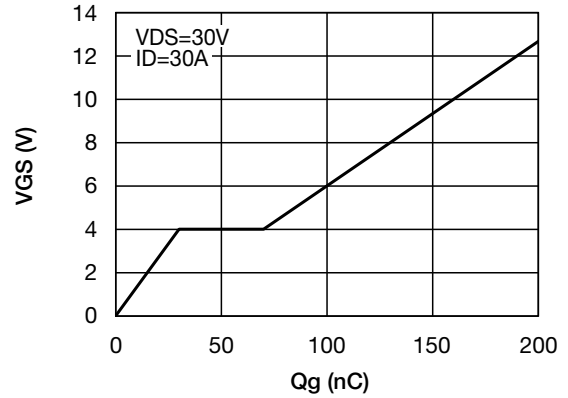


Fig.10 PD-Tc

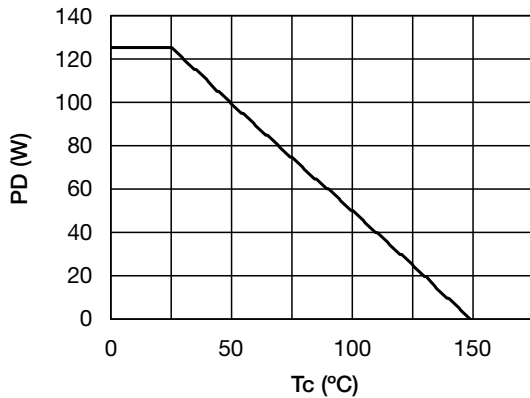


Fig.11 ID-Tc

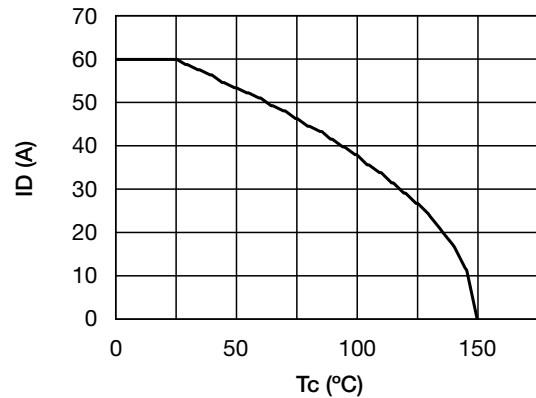


Fig.12 Transient Thermal Response Curve

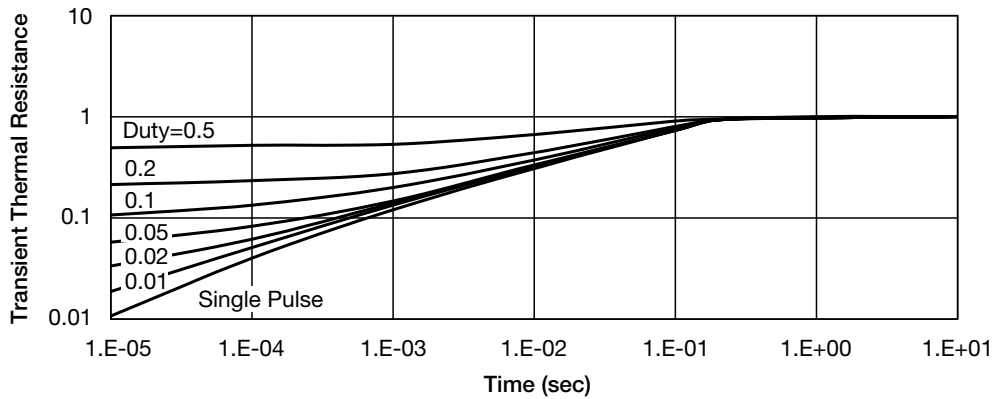
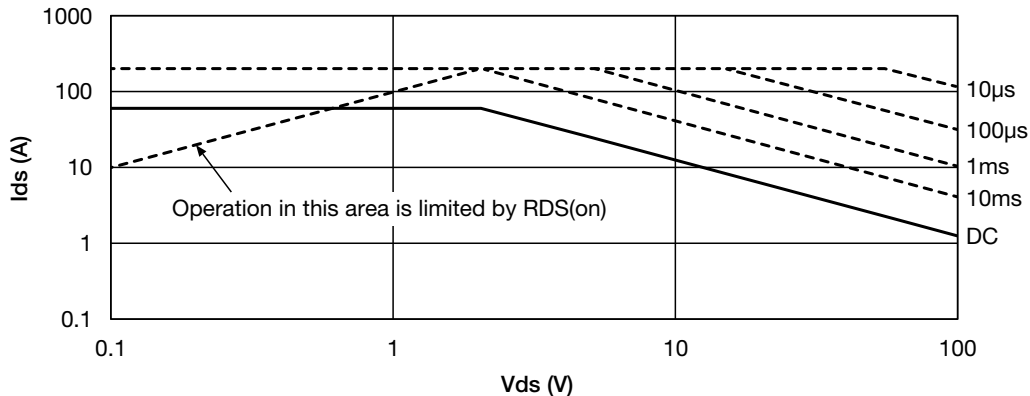


Fig.13 Safe Operation Area



• Any products mentioned in this catalog are subject to any modification in their appearance and others for improvements without prior notification.
 • The details listed here are not a guarantee of the individual products at the time of ordering. When using the products, you will be asked to check their specifications.