

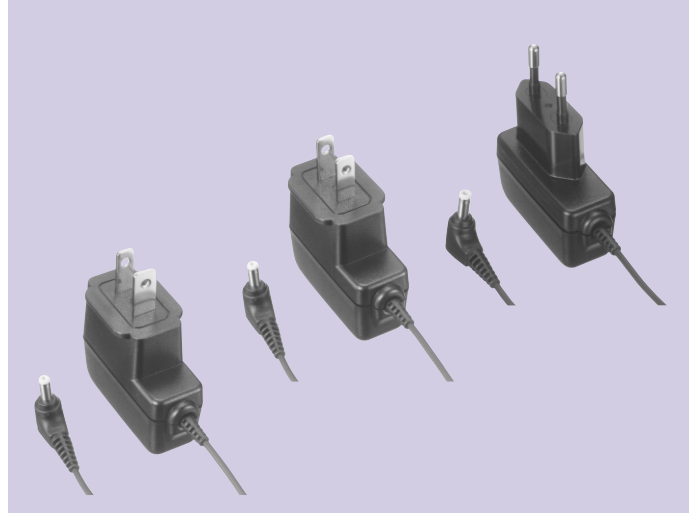
# 3W Small AC Adaptors with Worldwide Input

## ADP-W5 Series

Adaptors, Chargers/Switching Power Supplies

### OUTLINE

Compact AC adapter with capacity of about 50cc, output capacity 3W class.



### FEATURES

1. Standard Mitsumi case.
2. A series of small, standard cases is available for each country.
3. Worldwide Input voltages are supported.
4. Output specifications can be customized.

### USES

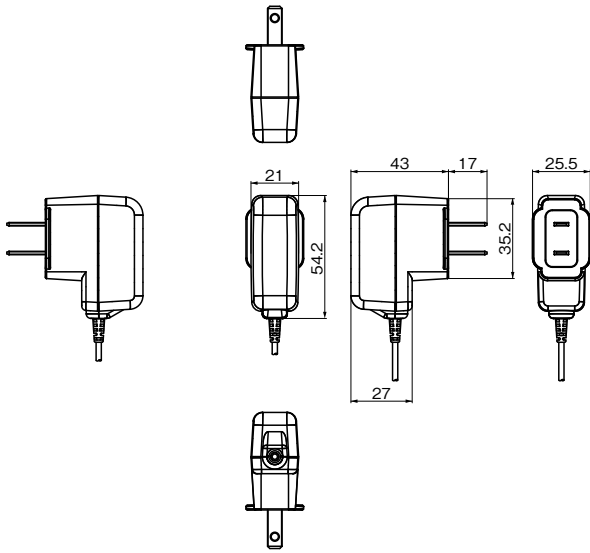
1. Mobile phones.
2. Small electric equipment.

### SPECIFICATIONS

Item	Specifications
Input voltage	AC 100~240V
Output capacity	3W
Destinations	Japan, North America, Europe, China, Brazil
Safety standards	Conforms to IEC60950
External dimensions	21(W)×54.2(D)×43~45.5(H)mm

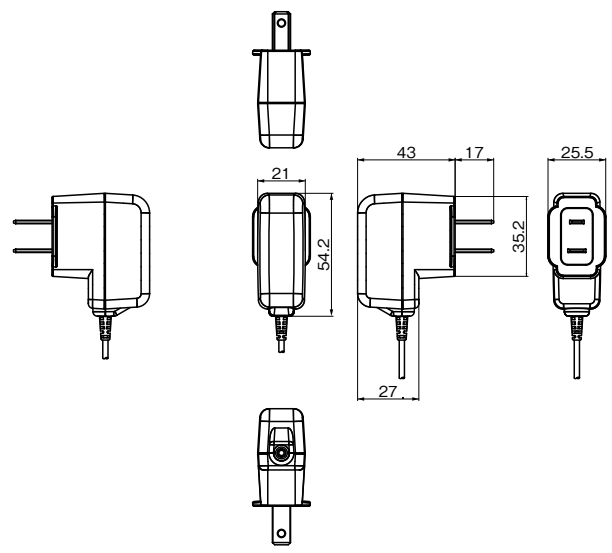
**DIMENSIONS**

**Japan and North America**



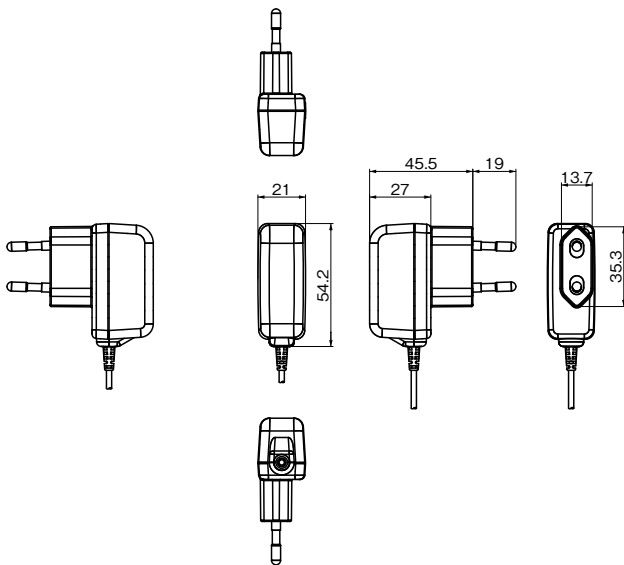
Unit : mm

**North America (Polarized Blade)**



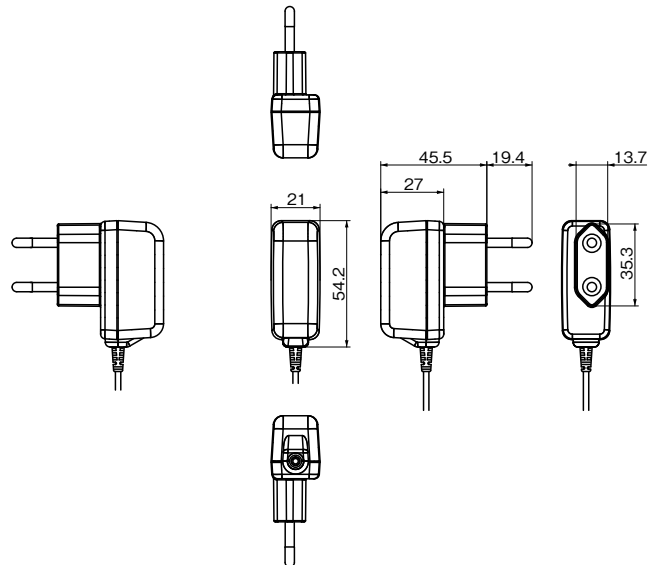
Unit : mm

**Europe**



Unit : mm

**Brazil**



Unit : mm