

36W small AC adaptors with worldwide input voltage

ADP-G4 Series

Adaptors, Chargers/Switching Power Supplies

OUTLINE

Small inlet type AC adaptor with 36W output capacity. Can meet safety standard for all destination.



FEATURES

1. Input voltage support worldwide input.
2. Output specification can be customized.
3. Case internal built in heat dissipation shield.

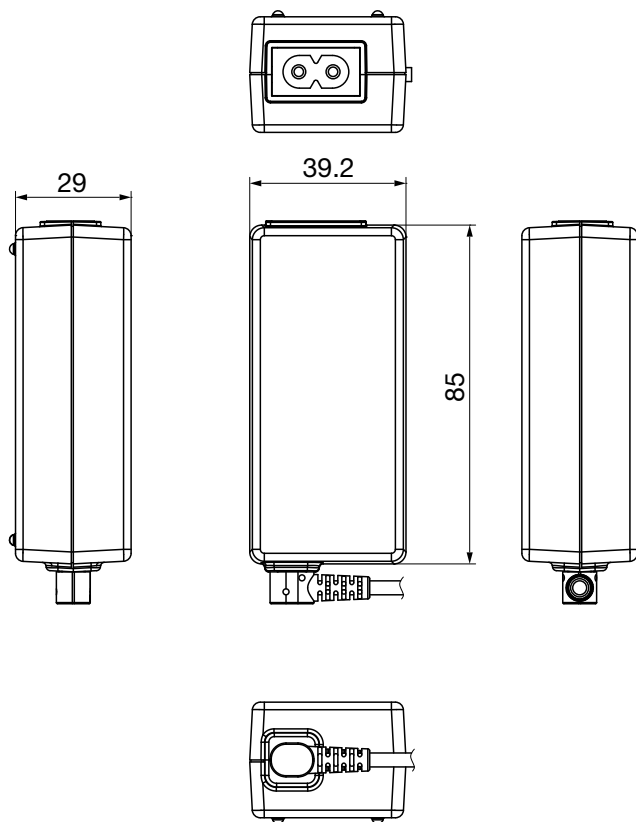
USES

1. Audio visual equipment.
2. Information communication terminal.

SPECIFICATIONS

| Item | Specifications |
|-----------------------------|----------------------|
| Input voltage | AC100~240V 50/60Hz |
| Output capacity | 36W |
| Stand-by power | 300mW or less |
| Output control method | PWM type |
| Average efficiency | 84.7% or more |
| Operating temperature range | 0~40°C |
| Storage temperature range | -20~60°C |
| Output connector | EIAJ type 3 or etc. |
| Safety standards | Conforms to IEC60950 |
| Destinations | Worldwide support |

DIMENSIONS



Unit : mm