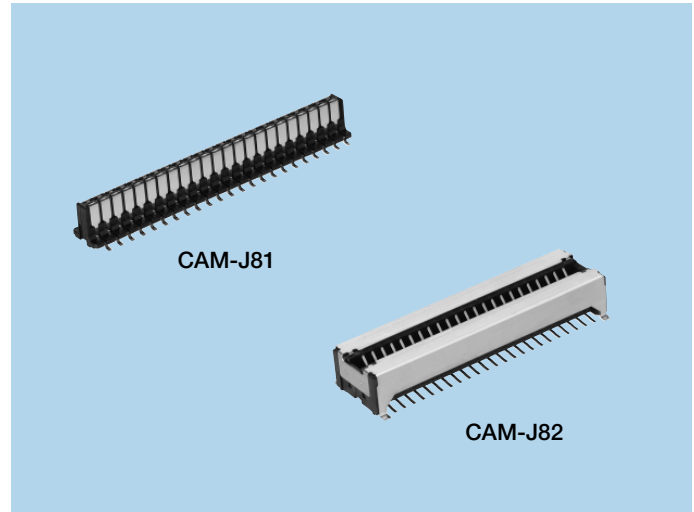


Detach Connectors

CAM-J81, CAM-J82

FEATURES

1. A 46-pole Connector that is used for connection/disconnection between the operating panel and a unit.
2. The deviation absorption amount at fitting is $\pm 0.7\text{mm}$ in the X direction, $\pm 0.4\text{mm}$ in the Y direction, and $\pm 0.5\text{mm}$ in the Z direction.
3. At pulling out, the connector is pushed out by light repulsive power.
4. Supports reflow mounting.



HOW TO ORDER

1. CAM-J81

J81 - 046 - 210 - ANGAA
 1 2

1 Series No. (J81)

2 No. of contacts (046 : 46pins)

2. CAM-J82

J82 - 046 - 210 - ANGAA
 1 2

1 Series No. (J82)

2 No. of contacts (046 : 46pins)

SPECIFICATIONS

ELECTRICAL CHARACTERISTICS

Rated Voltage	14V DC
Rated Current	1A
Withstanding Voltage	500V AC (rms) 1minute
Insulation Resistance	500MΩ min. (500V DC)
Contact Resistance	100mΩ max.

MECHANICAL CHARACTERISTICS

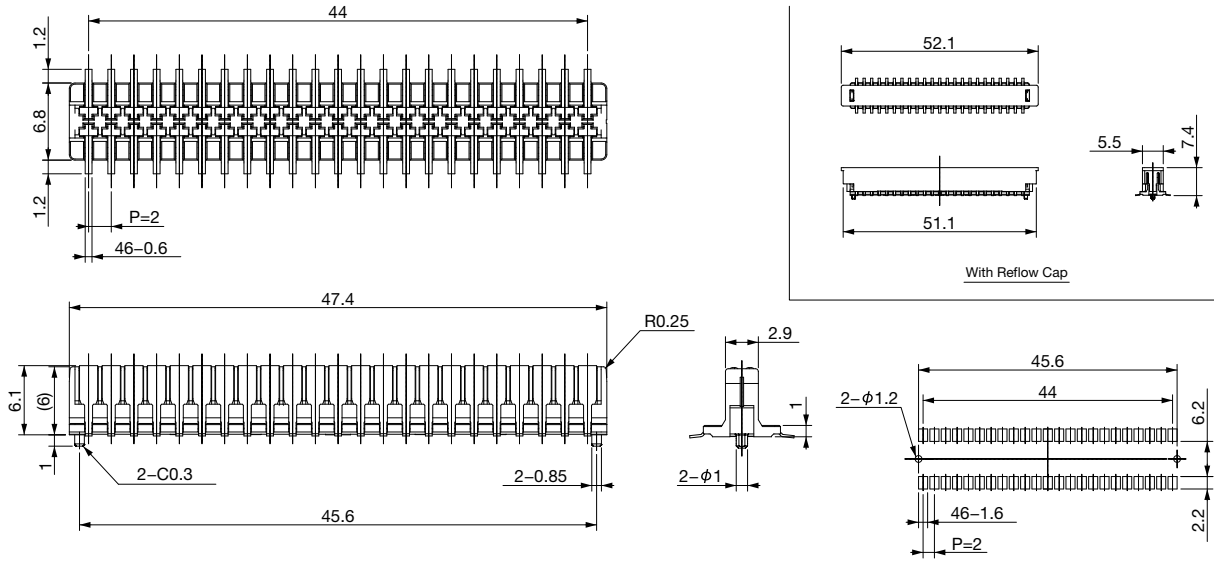
Life (Matching Cycle)	30,000 times
Total Insertion Force	16.0N max.
Total Withdrawal Force	16.0N max.
Using Temperature Range	-30~+85°C

MATERIAL & FINISH

Component Parts		Material	Finish
CAM-J81	Housing	LCP resin	(Black)
	Contact Pin	Copper alloy	Gold plating
	Cap	LCP resin	(Black)
CAM-J82	Housing	LCP resin	(Black)
	Contact Pin	Copper alloy	Gold plating
	Shell	Copper	Tin reflow plating
	Polymid Tape	Polymid resin	(Brown)

DIMENSIONS

CAM-J81

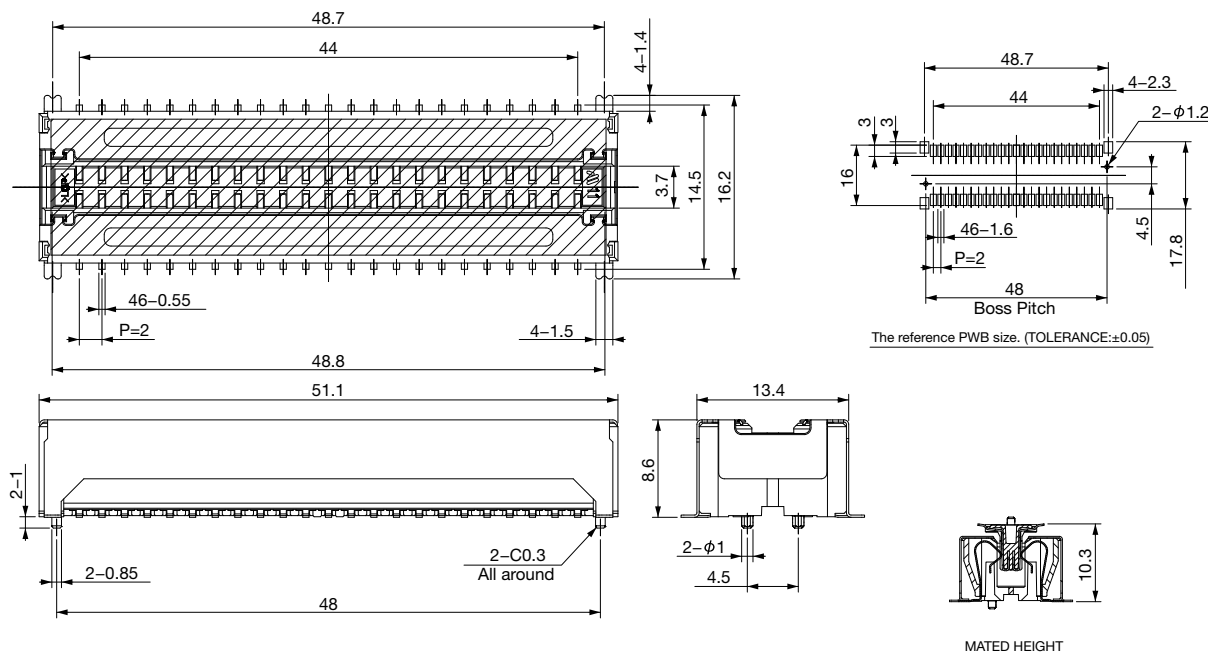


NOTES

- 1) The coplanarity of this connector is equal to or less than 0.1mm.
- 2) There is not derirectional of the mounting.

The reference PWB size. (TOLERANCE:±0.05)

CAM-J82



NOTES

- 1) The coplanarity of this connector is equal to or less than 0.1mm.
- 2) There is no specific position (reversible) for mounting.
- 3) Mated condition angle should not exceed 1 degree.