

Detach Connectors

CAM-H89, CAM-H89B, CAM-H90B, CAM-J52

FEATURES

1. Supports horizontal interdigitation and rotational interdigitation system.
2. After interdigitated, the backlash in the right and left directions is absorbed up to $\pm 0.5\text{mm}$.
3. The connector is pushed out with light repulsion force when it is extracted.
4. The socket connector is fixed by a lock pin of an accessory tightly after substrate insertion.



HOW TO ORDER

1. CAM-H89/H89B

-020-230-ARGAA

1 2

- 1 Series No. (H89/H89B with CAP)
- 2 No. of contacts (020 : 20pins)

2. CAM-H90B/J52

-020-220-ARBAB

1 2

- 1 Series No. (H90B/J52 with Shell)
- 2 No. of contacts (020 : 20pins)

SPECIFICATIONS

ELECTRICAL CHARACTERISTICS

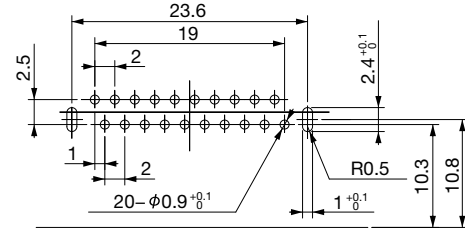
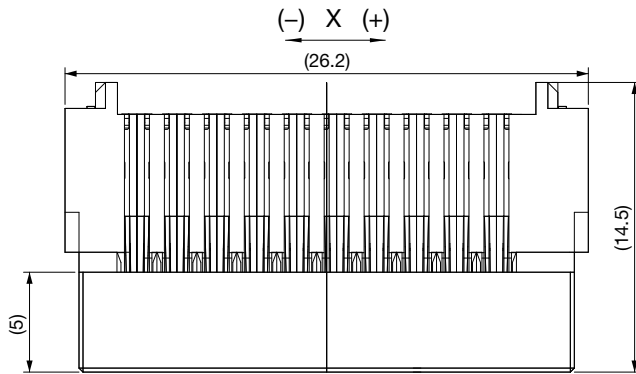
Voltage Rating	125V DC
Current Rating	1A
Withstanding Voltage	500V AC(rms) 1minute
Insulation Resistance	500M Ω min. (500V DC)
Contact Resistance	80m Ω max.

MECHANICAL CHARACTERISTICS

Life (Matching Cycle)	30,000 times
Total Insertion Force	9N(0.92kgf) max.
Total Withdrawal Force	3N(0.31kgf) max.
Using Temperature Range	

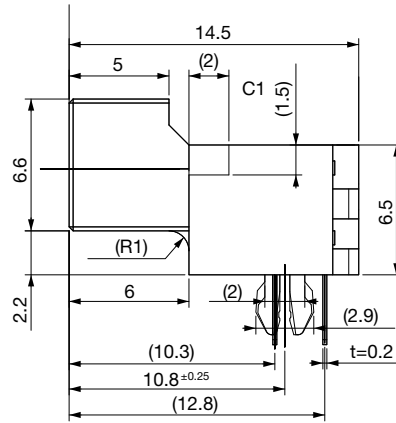
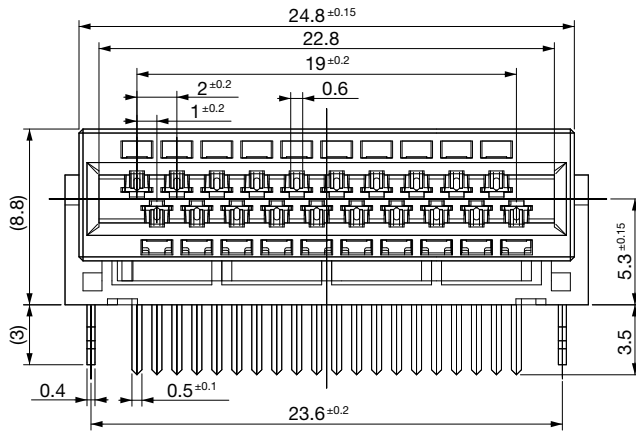
• Any products mentioned in this catalog are subject to any modification in their appearance and others for improvements without prior notification.
 • The details listed here are not a guarantee of the individual products at the time of ordering. When using the products, you will be asked to check their specifications.

CAM-H90



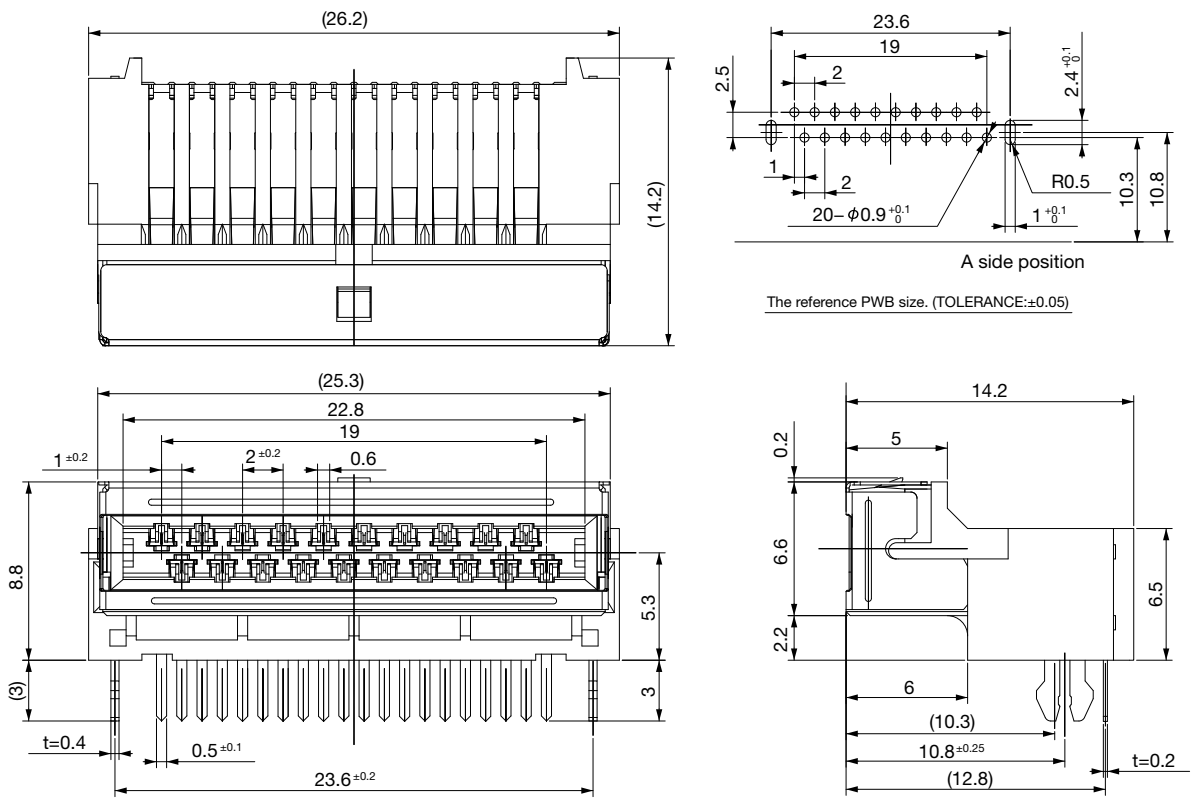
A side position

The reference PWB size. (TOLERANCE:±0.05)



• Any products mentioned in this catalog are subject to any modification in their appearance and others for improvements without prior notification.
 • The details listed here are not a guarantee of the individual products at the time of ordering. When using the products, you will be asked to check their specifications.

CAM-J52



Unit : mm

• Any products mentioned in this catalog are subject to any modification in their appearance and others for improvements without prior notification.
 • The details listed here are not a guarantee of the individual products at the time of ordering. When using the products, you will be asked to check their specifications.