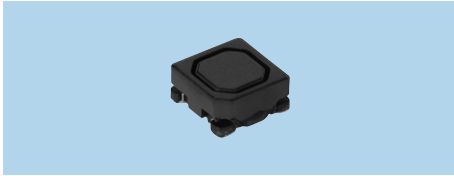


Step Up DC/DC Converter Transformers for Strobe Light

TXR Series

TXR-454522NC

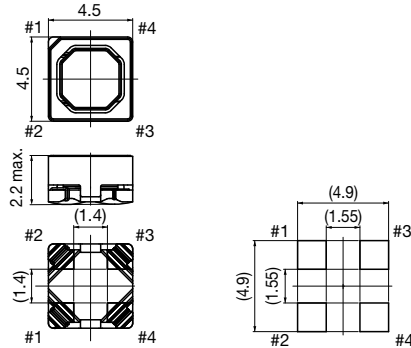


Specifications

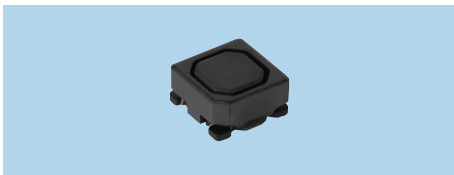
- (1) –
- (2) 10~1,000kHz
- (3) 0.8W

Features

- SMD
- 2,000pcs./Reel



TXR-454525NC

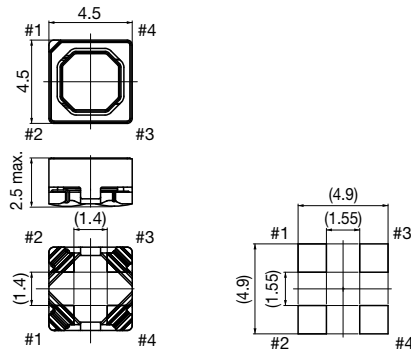


Specifications

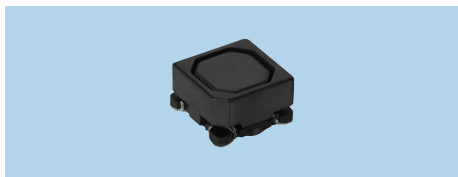
- (1) –
- (2) 10~1,000kHz
- (3) 1.0W

Features

- SMD
- 2,000pcs./Reel



TXR-505030NC



Specifications

- (1) -
- (2) 10~1,000kHz
- (3) 1.2W

Features

- SMD
- 2,000pcs./Reel

