

Step-Up DC/DC Converter (VFF) Monolithic IC MM1331

Outline

This is a converter IC which steps up the DC input voltage to output a fixed voltage level. Utilizing technology for low-voltage operation, which is a feature of Mitsumi semiconductor processes, operation is possible beginning at 0.85V, making this device ideal for the power supply circuits of portable equipment driven by a single battery.

Under small load currents oscillation is stopped and the charge stored in an externally mounted capacitor is output in an intermittent oscillation design, to improve the efficiency of operation under light loads.

Features

1. Low-voltage operation possible, 0.85V (no-load)
2. Internal oscillation circuit
3. Intermittent oscillation design for improved light-load efficiency
4. Numerous output voltages available (seven ranks)

Package

SOT-25

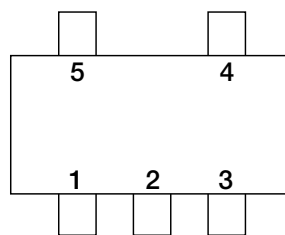
Output Voltage Rank

Rank	A	B	C	D	E	G	H
Voltage (V)	5.0	3.2	3.5	3.0	2.5	2.2	2.7

Applications

1. Pagers
2. Separate vibrators
3. Other portable equipment

Pin Assignment

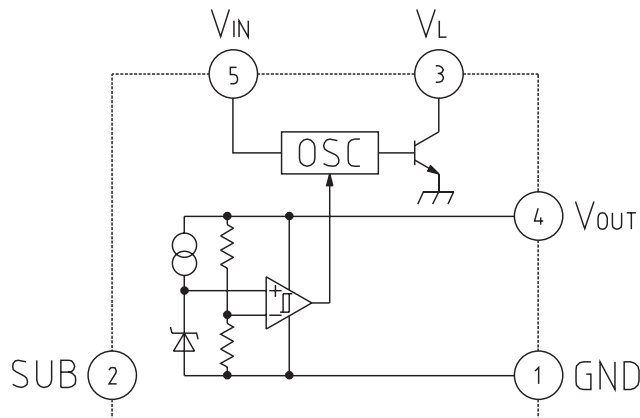


SOT-25

1	GND
2	SUB
3	V _L
4	V _{OUT}
5	V _{IN}

*Pin 2 is the SUB pin, and should be connected to GND.

Block Diagram



Note: Pin 2 is the SUB pin, and should be connected to GND.

Absolute Maximum Ratings

Item	Symbol	Ratings	Units
Storage temperature	T_{STG}	-40~+125	°C
Operating temperature	T_{OPR}	-20~+75	°C
Voltage applied to V_{IN} pin		-0.3~+10	V
Voltage applied to V_{OUT} pin		-0.3~+10	V
Voltage applied to V_L pin		-0.3~+10	V
Allowable loss	P_d	150	mW

Recommended Operating Conditions

Item	Symbol	Ratings	Units
Operating temperature	T_{op}	-20~+75	°C
Operating voltage	V_{op}	+0.85~ V_{OUT}	V

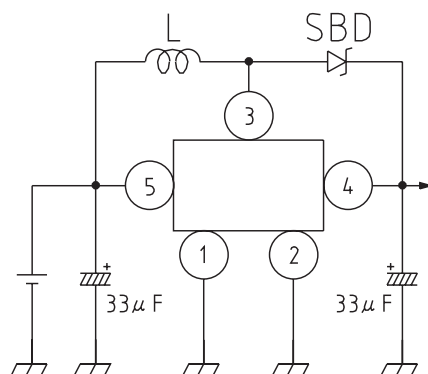
Electrical Characteristics (Except where noted otherwise, $V_{IN}=1.5V$, $I_o=1mA$)

Item	Measurement conditions	Min.	Typ.	Max.	Units
Operating voltage	No-load	0.85		V_{OUT}	V
Output voltage rank A	$V_{IN}=1.5V$, $I_o=1mA$	4.80	5.0	5.20	V
rank B		3.07	3.2	3.33	
rank C		3.36	3.5	3.64	
rank D		2.88	3.0	3.12	
rank E		2.40	2.5	2.60	
rank G		2.11	2.2	2.29	
rank H		2.59	2.7	2.81	
Output voltage temperature coefficient		$T_a=-20\sim 75^{\circ}C$		± 100	
Input fluctuations	$V_{IN}=1.1\rightarrow 1.7V$, $I_o=1mA$			3	%/ $^{\circ}C$
Load fluctuations	$V_{IN}=1.5V$, $I_o=0\rightarrow 7mA$			1	%/mA
V_{IN} pin consumption current	$V_{IN}=1.5V$, $V_{OUT}=V_{OUT\ max.}+0.05$		3	4.5	μA
V_{OUT} pin consumption current	$V_{OUT}=V_{OUT\ max.}+0.05$		5	7.5	μA
V_L pin leakage current	$V_L=10V$			1	μA
Output ripple voltage	$V_{IN}=1.5V$, $I_o=1mA$		60	120	mV
Oscillation frequency	$V_{IN}=1.5V$	70	115	185	kHz

Note: Electrical characteristics assume use of the following externally mounted components.

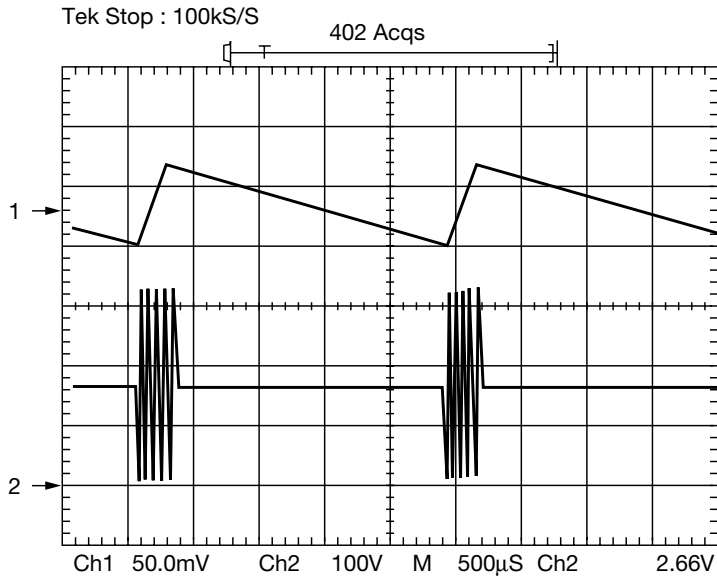
Coil	Mitsumi model C5-R	$L=120\mu H$
Capacitor	tantalum electrolytic	$C=33\mu F$
SBD	Rohm model RB451F	

Application Circuits



Note: Coil: $L = 120\mu H$ (Mitsumi model C5-R)
 Capacitor : $C=33\mu F$ (tantalum electrolytic capacitor)
 Schottky barrier diode (Rohm model RB451F)

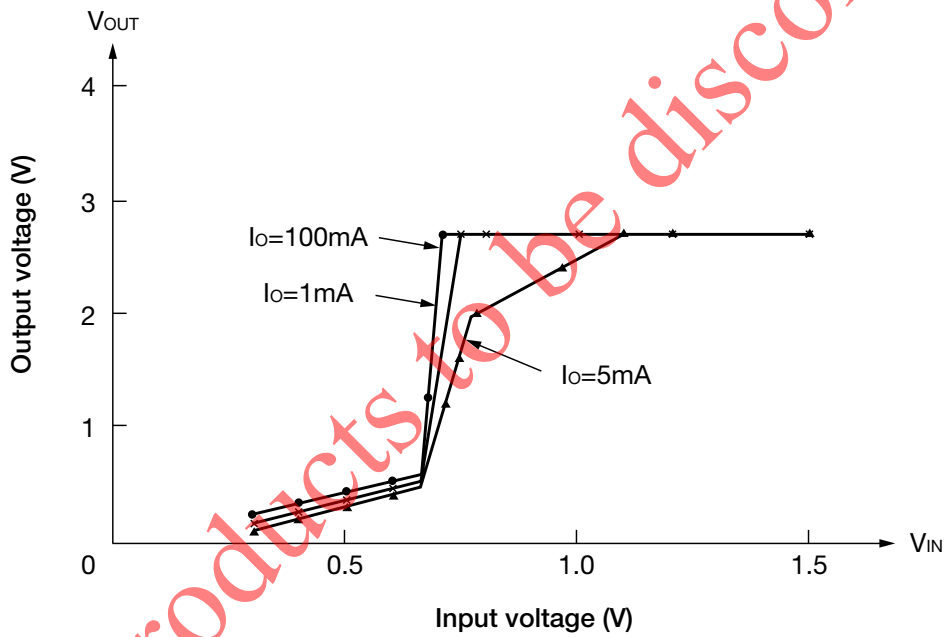
Characteristics



Conditions ; $V_{IN}=1.5V$, $I_o=1mA$
 $L=120\mu H$ (C5-R)
 $C_{IN}=C_{OUT}=33\mu F$ (tantalum)
SBD ; RB451F

V_{OUT} pin waveform 50mV/div
500µS/div

V_L pin waveform 1V/div



*The above characteristics are representative, and are not guaranteed values.

Products to be discontinued