

IC for System Reset

Monolithic IC PST591 ~595 Series

October 15, 2004

Outline

This IC functions in a variety of CPU systems and other logic systems, to detect supply voltage and reset the system accurately when the power is turned on or interrupted. It incorporates a fixed-delay time generation circuit. These are other system reset ICs such as PST574 and PST575 (both conventional). In particular, this IC is a low-reset type system reset IC having a counter timer comprising of analog/digital mixed circuits. PST591- 595 have a different delay time respectively.

Features

1. Fixed delay time setting by counter timer
 Excellent delay time temperature characteristics $\pm 800\text{ppm}/^\circ\text{C}$
2. Low operating limit voltage 0.65V typ.
3. Hysteresis voltage provided for detection voltage 50mV typ.
4. No-load current consumption $I_{\text{CCL}}=300\mu\text{A typ. } I_{\text{OCH}}=200\mu\text{A typ.}$
5. 5 models are available for different delay times.

PST591	50ms	PST594	400ms
PST592	100ms	PST595	800ms
PST593	200ms		
6. Each model has 9 detection voltage ranks.

C : 4.5V typ.	H : 3.1V typ.
D : 4.2V typ.	I : 2.9V typ.
E : 3.9V typ.	J : 2.7V typ.
F : 3.6V typ.	K : 2.5V typ.
G : 3.3V typ.	

Packages

MMP-4A (PST59 \times \square M)

TO-92A (PST59 \times \square)

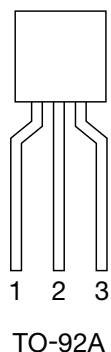
*The box represents a rank of detection voltage.

(MMP-4A has a manual reset pin, which should be connected to GND or NC during normal operation.)

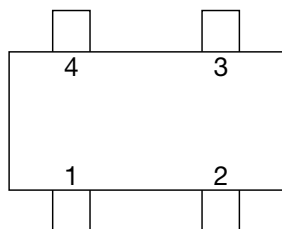
Applications

1. Reset circuits for microcomputers, CPUs and MPUs
2. Reset circuits for logic circuits
3. Battery voltage check circuits
4. Back-up power supply switching circuits
5. Level detection circuits
6. Mechanical reset circuits

Pin Assignment

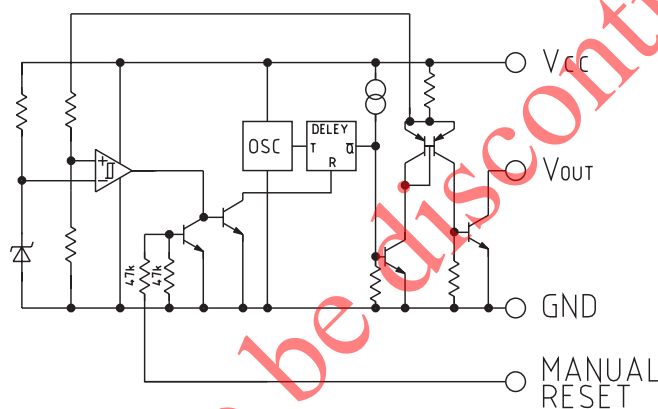


1	V _{CC}
2	GND
3	V _{OUT}



1	V _{OUT}
2	Manual Reset
3	V _{CC}
4	GND

Equivalent Circuit Diagram



Absolute Maximum Ratings (Ta=25°C)

Item	Symbol	Rating	Units
Storage temperature	T _{STG}	-40~+125	°C
Operating temperature	T _{OPR}	-20~+75	°C
Power supply voltage	V _{CC} max.	-0.3~10	V
Manual reset input voltage	V _{RES} max.	-0.3~10	V
Allowable loss	Pd	200 (MMP-4P)	mW
		300 (TO-92)	

Electrical Characteristics (Ta=25°C) (Except where noted otherwise, resistance unit isΩ)

Item	Symbol	Measuring circuit	Measurement conditions	Min.	Typ.	Max.	Unit	
Detection voltage	Vs	1	R _L =470 V _{OL} ≤ 0.4V V _{CC} =H→L	C	4.3	4.5	4.7	V
				D	4.0	4.2	4.4	
				E	3.7	3.9	4.1	
				F	3.4	3.6	3.8	
				G	3.1	3.3	3.5	
				H	2.9	3.1	3.3	
				I	2.75	2.90	3.05	
				J	2.55	2.70	2.85	
	K	2.35	2.50	2.65				
Hysteresis voltage	ΔVs	1	R _L =470, V _{CC} =L→H→L	30	50	100	mV	
Detection voltage temperature coefficient	Vs/ΔT	1	R _L =470, Ta=-20°C~+75°C		±0.01		%/°C	
Low-level output voltage	V _{OL}	1	V _{CC} =Vs min.-0.05V, R _L =470		0.1	0.4	V	
Output leakage current	I _{OH}	1	V _{CC} =10V			±0.1	μA	
Circuit current while on	I _{CCL}	1	V _{CC} =Vs min.-0.05V, R _L =∞		300	600	μA	
Circuit current while off	I _{CCH}	1	V _{CC} =Vs typ./0.85V, R _L =∞		200	350	μA	
"H" transport delay time	t _{PLH}	2	R _L =4.7k C _L =100PF *1	PST591	30	50	75	ms
				PST592	60	100	150	
				PST593	120	200	300	
				PST594	240	400	600	
				PST595	480	800	1200	
"L" transport delay time	t _{PHL}	2	R _L =4.7k, C _L =100PF *1		10		μs	
Operating power supply voltage	V _{OPL}	1	R _L =4.7k, V _{OL} ≤ 0.4V		0.65	0.85	V	
Output current while on 1	I _{OL1}	1	V _{CC} =Vs min.-0.05V, R _L =0	8			mA	
Output current while on 2	I _{OL2}	1	Ta=-20°C~+75°C, R _L =0 *2	6			mA	
Manual reset pin	Input high voltage	V _{RESH}		2.0			V	
	Input high current	V _{RESH}	V _{RES} =2V			80	μA	
	Input low voltage	V _{RESL}				0.8	V	

*1 t_{PLH} : V_{CC}= (Vs typ.-0.4V) → (Vs typ.+0.4V), t_{PHL} : V_{CC}= (Vs typ.+0.4V) → (Vs typ.-0.4V)

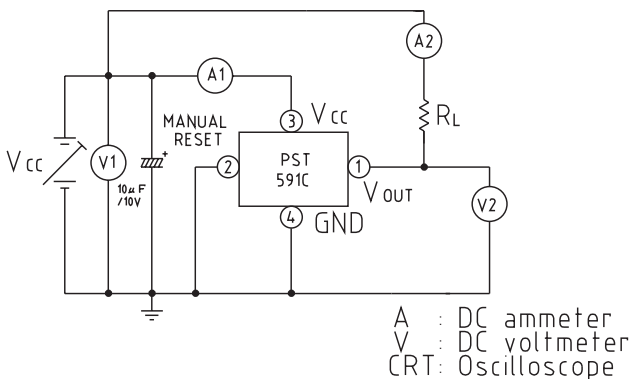
*2 V_{CC}=Vs min.-0.15V

Note 3: V_{OUT} pin is low when manual reset pin is high.

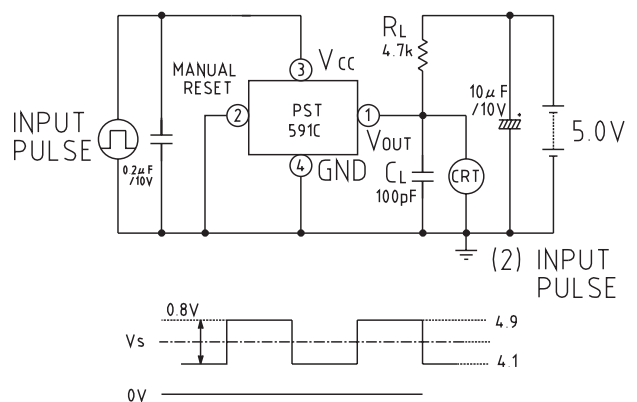
V_{OUT} pin is high when manual reset pin is low.

Measuring Circuit

[1]



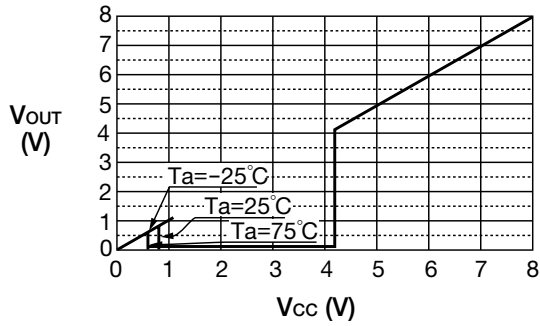
[2]



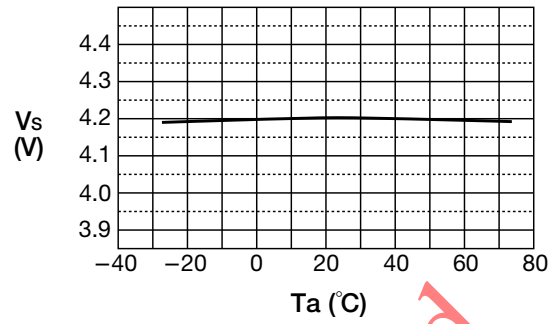
Note: Input model is an example for PST591C.

Characteristics (Example: PST591D)

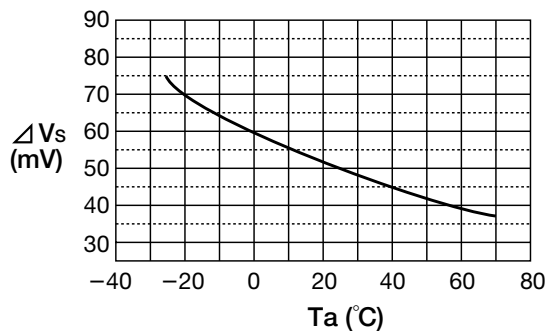
■ **V_{CC} vs. V_{OUT}**



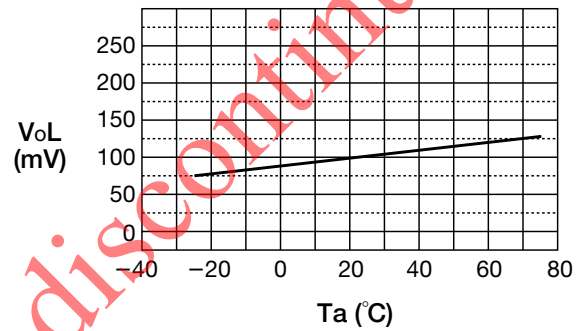
■ **V_S vs. T_a**



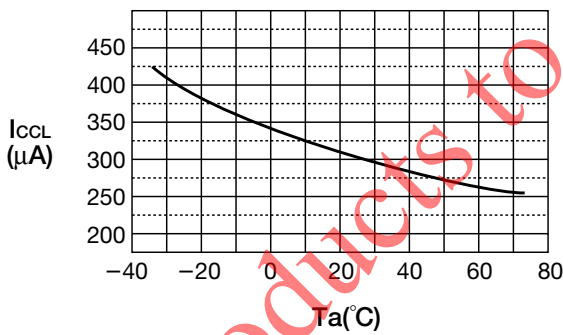
■ **ΔV_S vs. T_a**



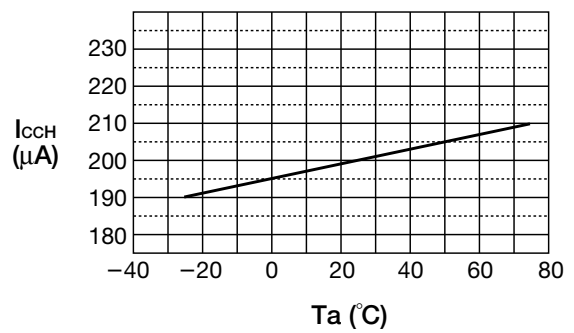
■ **V_{oL} vs. T_a**



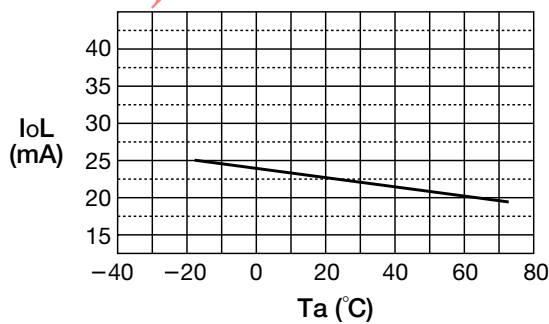
■ **I_{CCL} vs. T_a**



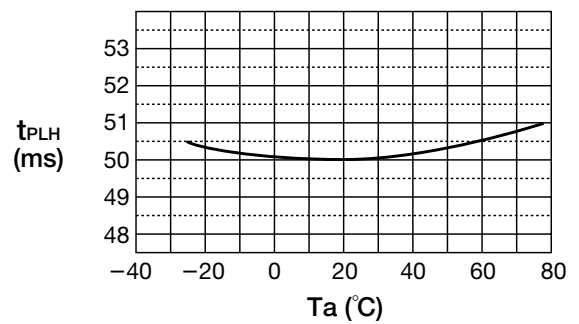
■ **I_{CCH} vs. T_a**



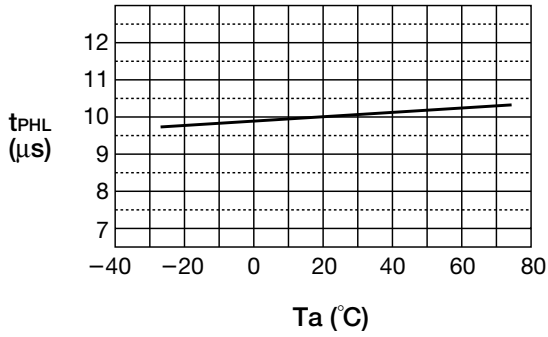
■ **I_{oL} vs. T_a**



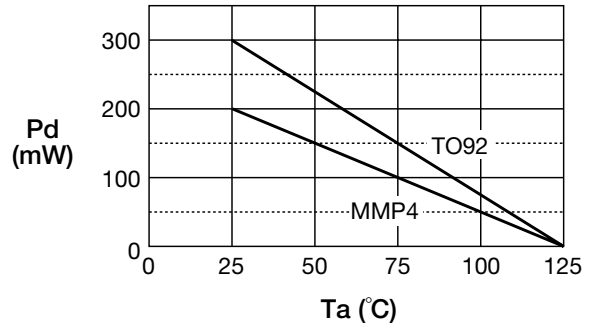
■ **t_{PLH} vs. T_a**



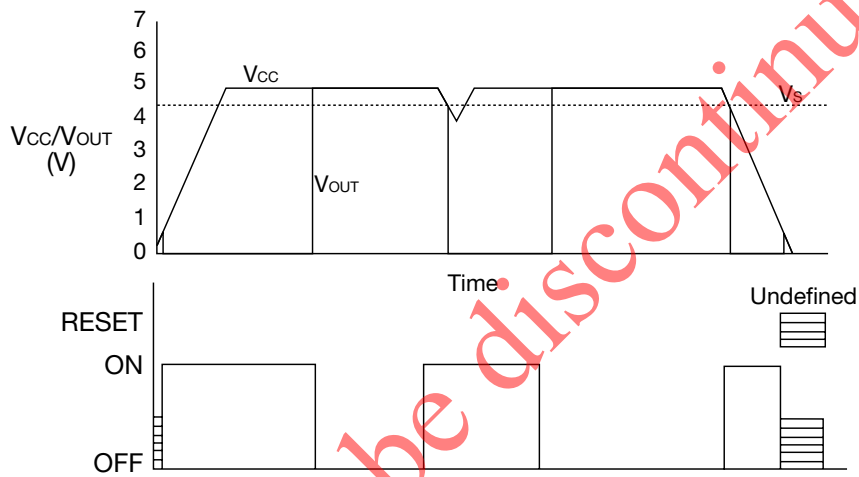
■ t_{PHL} vs. Ta



■ Pd vs. Ta

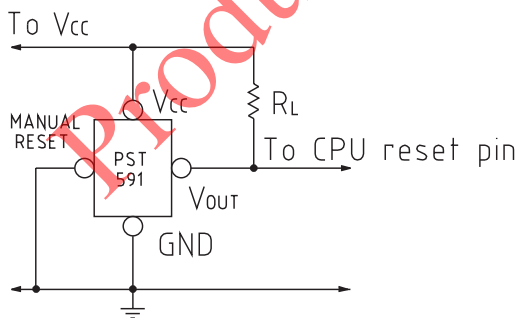


Timing Chart



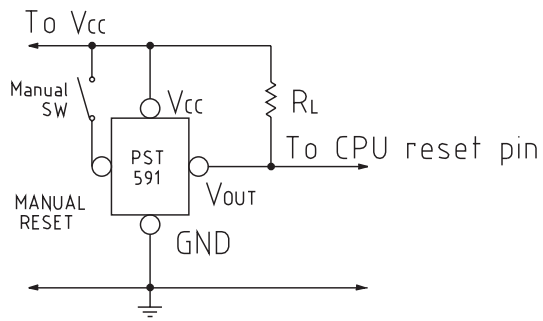
Application circuits

1. Normal hard reset



Note: Connect a capacitor between IC V_{CC} and GND pins if V_{CC} line impedance is high.

2. Manual reset

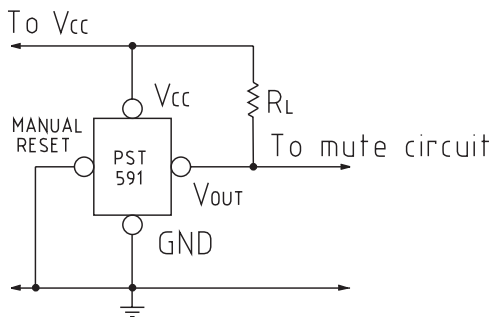


V_{OUT} pin low for manual switch ON.
 V_{OUT} pin high for manual switch OFF.

Note1: Connect a capacitor between IC V_{CC} and GND pins if V_{CC} line impedance is high.

Note2: Thoroughly check the actual operation of the circuit, then set the manual reset when pressing the manual switch ON to about 2μs.

3. Mute circuit



Note: Connect a capacitor between IC V_{CC} and GND pins if V_{CC} line impedance is high.

Products to be discontinued