

# Wide Discriminator Monolithic IC MM1327

## Outline

This IC identifies the letter box portion of wide broadcast, etc. video signals. The luminance and chroma signals are used so that the rate of identification on dark screens is increased. Output is the total of 6bit ADC data and character signal, etc. white peak signal discriminator bit, for 7bit data output. In addition, an EDTV2 simple discrimination function is built-in.

## Features

1. Signal level discrimination using composite luminance and chroma signal
2. Discrimination of video signal within horizontal scanning interval can be done every scan due to integrated output
3. Built-in white peak detection circuit for subtitles
4. Built-in EDTV2 simple discrimination function
5. 22H discrimination output (COMB-THROUGH) circuit built-in
6. Built-in window limiter circuit
7. Data output is 7bit serial output format : 6bit ADC + peak detection
8. Operates on +5V single power supply

## Package

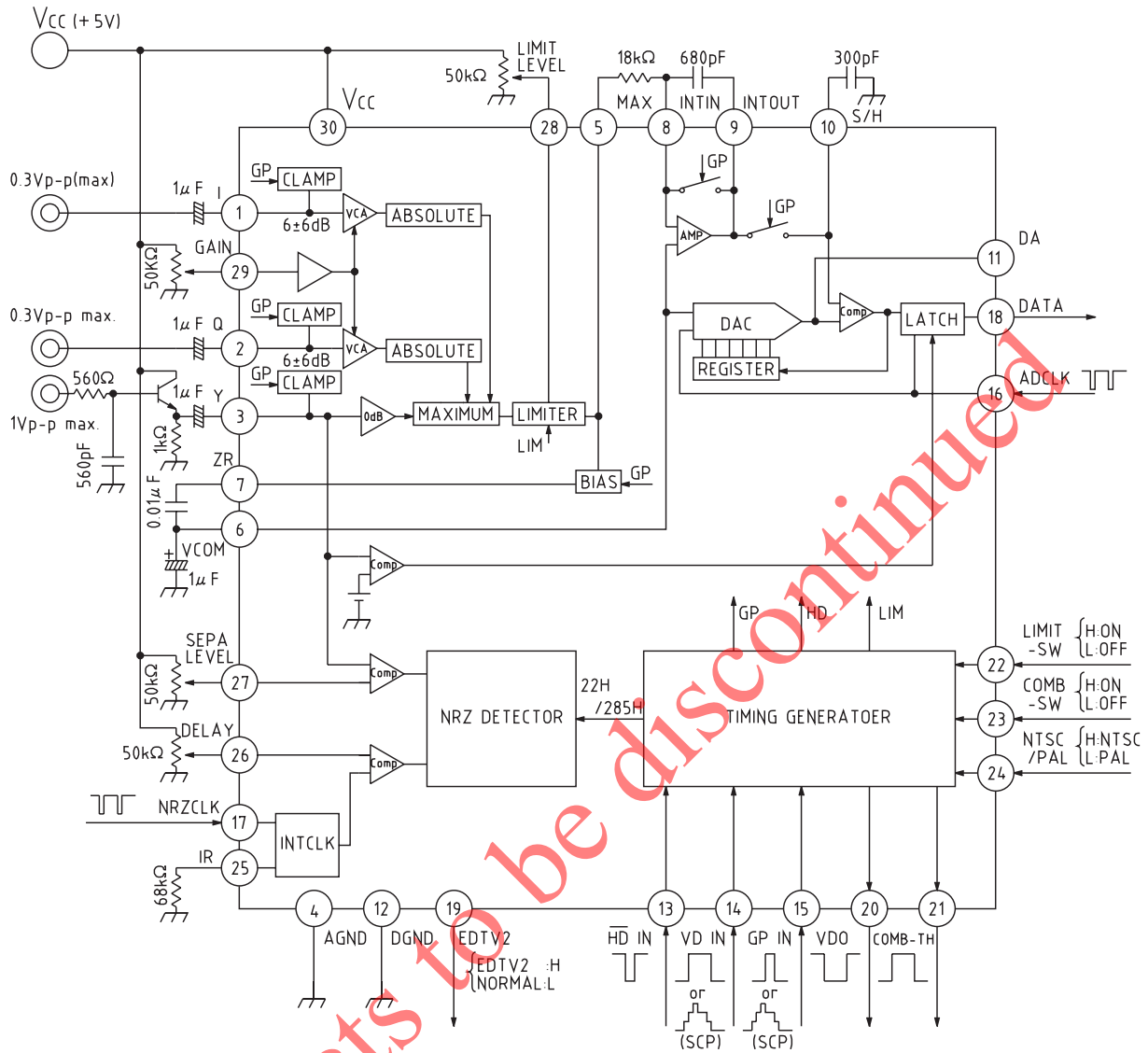
SDIP-30

## Applications

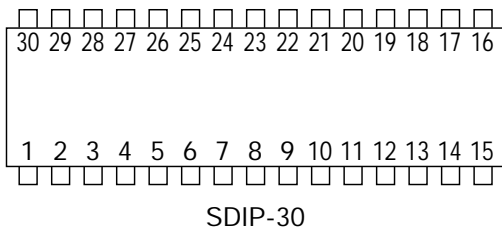
Wide TV

Products to be discontinued

Block Diagram



Pin Assignment



1	I	16	ADCLK
2	Q	17	NRZCLK
3	Y	18	DATA
4	AGND	19	EDTV2
5	MAX	20	VDO
6	VCOM	21	COMB-TH
7	ZR	22	LIMIT-SW
8	INT IN	23	COMB-SW
9	INT OUT	24	NTSC/PAL
10	S/H	25	IR
11	DA	26	DELAY
12	DGND	27	SEPA-LEVEL
13	HD	28	LIMIT-LEVEL
14	VD	29	GC
15	GP	30	Vcc

Pin Description

Pin no.	Pin name	Function	Internal equivalent circuit diagram
1 2 3	I Q Y	Video signal input pin	
4 12	AGND DGND		
5	MAX	Composite output of input video signal maximum value	
6	VCOM	Internal reference voltage output Connect 1µF between this pin and GND.	
7	ZR	Connection pin for MAX output clamp capacitor	
8	INT IN	Integrated circuit input pin  Integrated reset done at GP timing.	

Pin no.	Pin name	Function	Internal equivalent circuit diagram
9 10	INT OUT S/H	Integrated output pin and sample and hold pins  S/H of integration results at HD timing	
11	DA	DAC output for consecutive comparison ADC	
13 15	$\overline{\text{HD}}$ IN GP IN	Timing pulse input pins GP operates even on SCP input (5V <sub>P-P</sub> ).	
14	VD IN	Timing pulse input pin VD operates even on SCP input (5V <sub>P-P</sub> ).	
16	ADCLK	Clock input pin for consecutive ADC	

Pin no.	Pin name	Function	Internal equivalent circuit diagram
17 25 26	NRZCLK IR DELAY	Clock input pins for NRZ discrimination  Input CLK is integrated by resistor connected between Pin 25 and GND and internal 20pF, and delay is set by Pin 26 voltage.	
18 19 20 21	DATA EDTV2 VDO COMB-TH	Data output pins	
22 23 24	LIMIT-SW COMB-SW NTSC/PAL	Switching pins	
27	SEPA LEVEL	NRZ discrimination luminance signal SEPA level adjustment pin	
28	LIMIT LEVEL	MAX composite output limit level adjustment pin  Limit area: NTSC : 42~241H PAL : 46~291H	
29	GAIN	I, Q gain adjustment pin	
30	Vcc		

**Absolute Maximum Ratings**

Item	Symbol	Ratings	Units
Operating temperature	T <sub>OPR</sub>	-20~+75	°C
Storage temperature	T <sub>STG</sub>	-40~+125	°C
Power supply voltage	V <sub>CC max.</sub>	7.0	V
Input voltage	V <sub>IN max.</sub>	GND ≤ V <sub>IN</sub> ≤ V <sub>CC</sub>	V
Allowable loss	P <sub>d</sub>	800	mW

**Recommended Operating Conditions**

Item	Symbol	Ratings	Units
Operating temperature	T <sub>OPR</sub>	-20~+75	°C
Operating voltage	V <sub>OPR</sub>	4.5~5.5	V

Products to be discontinued

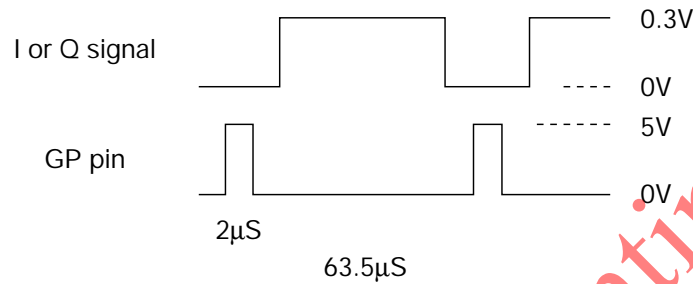
**Electrical Characteristics** (Except where noted otherwise, Ta=25°C, Vcc=5.0V)

Item		Symbol	Measurement conditions	Min.	Typ.	Max.	Units	
Consumption current		I <sub>CC</sub>			20	30	mA	
MAX amp								
Clamping level	Y	V <sub>YIN</sub>	*1	2.0	2.2	2.4	V	
	I	V <sub>IIN</sub>	*1	2.0	2.2	2.4		
	Q	V <sub>QIN</sub>	*1	2.0	2.2	2.4		
MAX output pin voltage		V max.	*1	2.0	2.2	2.4	V	
Maximum input level	Y	V max.Y		1.0			V <sub>P-P</sub>	
	I	V max.I		0.6				
	Q	V max.Q		0.6				
Y input voltage gain		G <sub>Y</sub>	*2	-0.5	0.0	0.5	dB	
VCA	Maximum gain	I	G max.I	V <sub>GC</sub> =1.2V *3	+11.5	+12.0	+12.5	dB
		Q	G max.Q	V <sub>GC</sub> =1.2V *3	+11.5	+12.0	+12.5	
	Minimum gain	I	G min.I	V <sub>GC</sub> =3.6V *3	-0.5	0.0	0.5	dB
		Q	G min.Q	V <sub>GC</sub> =3.6V *3	-0.5	0.0	0.5	
	I, Q gain difference		ΔG <sub>IQ</sub>	ΔG <sub>IQ</sub> =G <sub>I</sub> -G <sub>Q</sub>	-0.5	0.0	0.5	dB
EDTV II discrimination								
NRZ detection level	L	V <sub>YSL</sub>			5	7	IRE	
	H	V <sub>YSH</sub>		27	30			
NRZ detection readout timing	L	V <sub>CSL</sub>			0.4	0.7	μS	
	H	V <sub>CSh</sub>		1.5	1.8			
NRZCLK pin input current	L	I <sub>NRZCL</sub>	V <sub>NRZCLK</sub> =0.4V			1	μA	
	H	I <sub>NRZCH</sub>	V <sub>NRZCLK</sub> =4.5V			1		
IR pin voltage		V <sub>IR</sub>		2.2	2.4	2.6	V	
EDTV II output voltage L		V <sub>NL</sub>	I <sub>NL</sub> =1mA			0.4	V	
Trigger signal								
Sync signal separation level	HD <sub>IN</sub>	V <sub>THD</sub>	HD	2.30	2.50	2.70	V	
	VD <sub>IN</sub>	V <sub>TVd</sub>	VD or SCP	0.63	0.83	1.03		
	GP <sub>IN</sub>	V <sub>TGP</sub>	GP or SCP	3.69	3.89	4.09		
HD pin input current	L	I <sub>HDL</sub>	V <sub>HD</sub> =0.4V			1	μA	
	H	I <sub>HdH</sub>	V <sub>HD</sub> =4.5V			1		
VD pin input current	L	I <sub>VDL</sub>	V <sub>VD</sub> =0.4V			1	μA	
	H	I <sub>VDH</sub>	V <sub>VD</sub> =4.5V			1		
GP pin input current	L	I <sub>GPL</sub>	V <sub>GP</sub> =0.4V			1	μA	
	H	I <sub>GPH</sub>	V <sub>GP</sub> =4.5V			1		
COMB-SW switching voltage	L	V <sub>TCOSL</sub>				0.7	V	
	H	V <sub>TCOSH</sub>		2.1				
COMB-TH output voltage L		V <sub>OCOMB</sub>	I <sub>COMB</sub> =1mA			0.4	V	
VDO output voltage L		V <sub>OVDO</sub>	I <sub>VDO</sub> =1mA			0.4	V	

Note 1 : \*1 Clamp level and MAX output pin voltage  
 Measure voltage on each pin when GPIN and HDIN are connected to V<sub>CC</sub>.

Note 2 : \*2 Y input voltage gain  
 Input a sweep signal to Y input, input a clamp pulse synchronized to H<sub>SYNC</sub> to GPIN pin, and measure voltage gain at MAX pin for 100kHz.

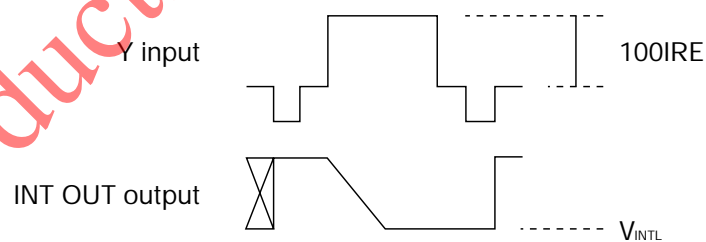
Note 3 : \*3 I, Q max/min gain  
 Input a square wave signal as shown below and a GPIN signal to I input (or Q input) and GPIN pin, and measure voltage gain at MAX pin.



Note 4 : \*4 MAX amp limit level  
 Measure limit level at MAX pin when LIMIT-SW pin is high. However, the limit range is as follows for the NTSC/PAL pin.

Note 5 : \*5 Offset voltage for reset  
 Connect GPIN pin to V<sub>CC</sub> and measure potential difference between INT IN pin and INT OUT pin.

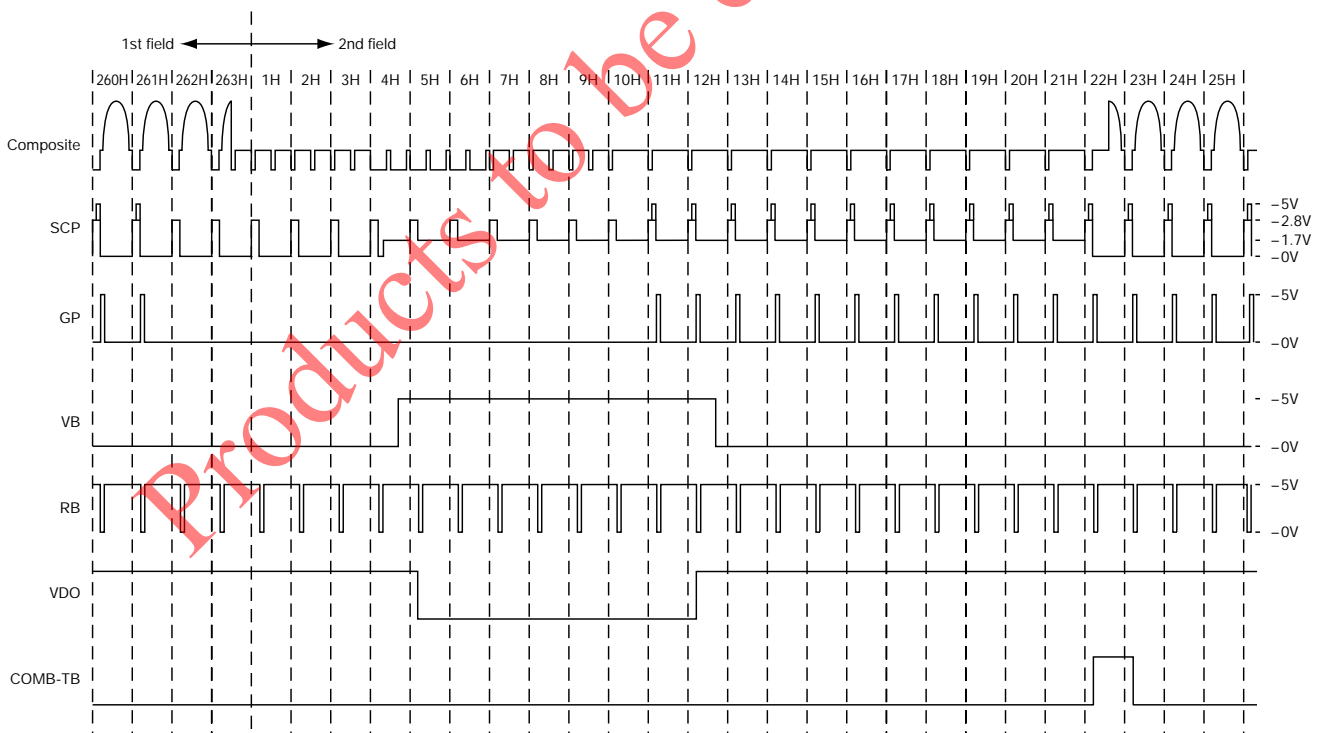
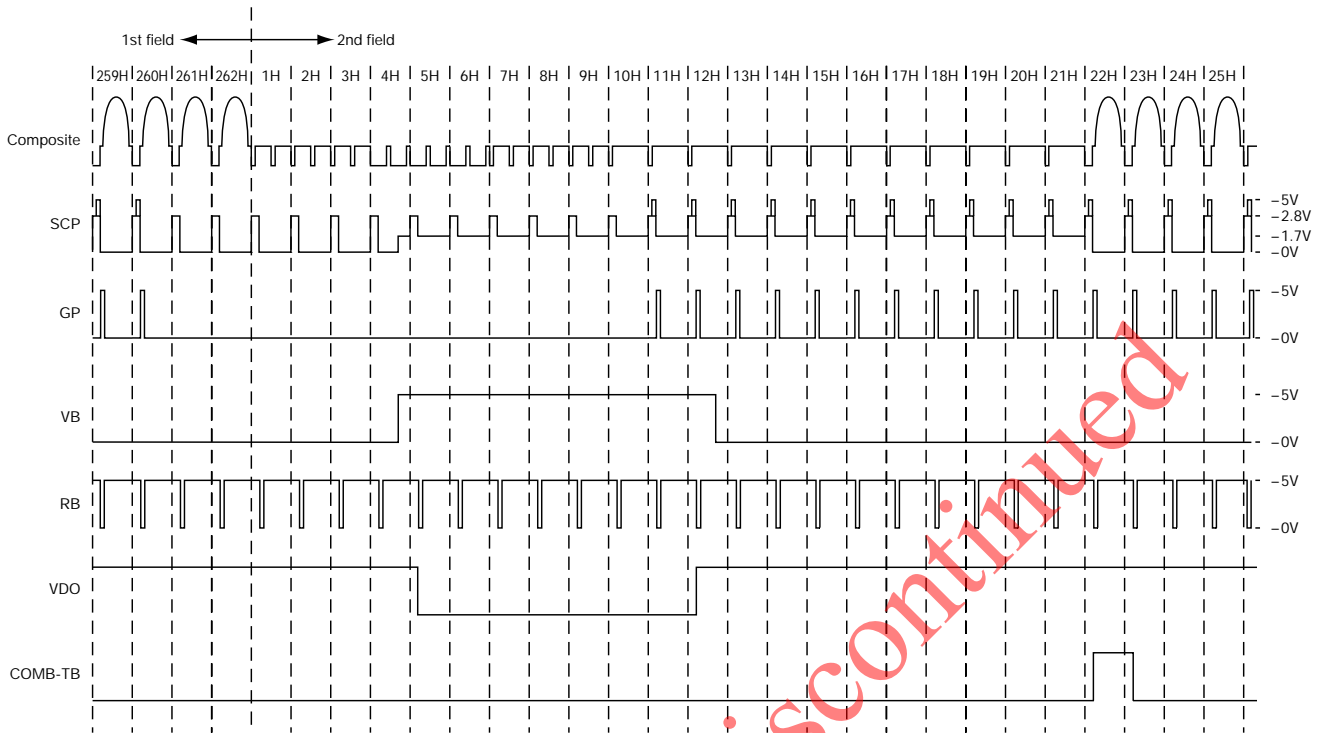
Note 6 : \*6 Integrated limit voltage  
 Input a 100% white signal to Y input and a clamp pulse synchronized to H<sub>SYNC</sub> to GPIN pin. Measure INT OUT pin voltage at integration end at this time.



Products to be discontinued

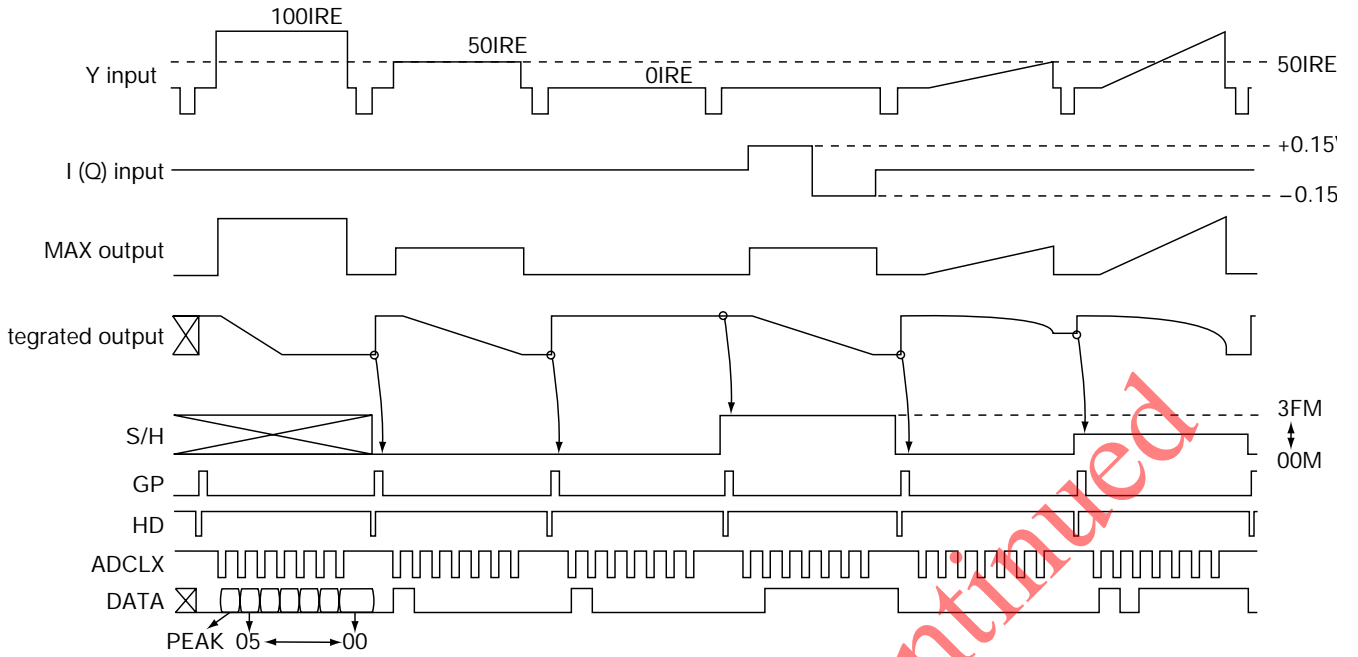


Timing Chart 1



Products to be discontinued

Timing Chart 2

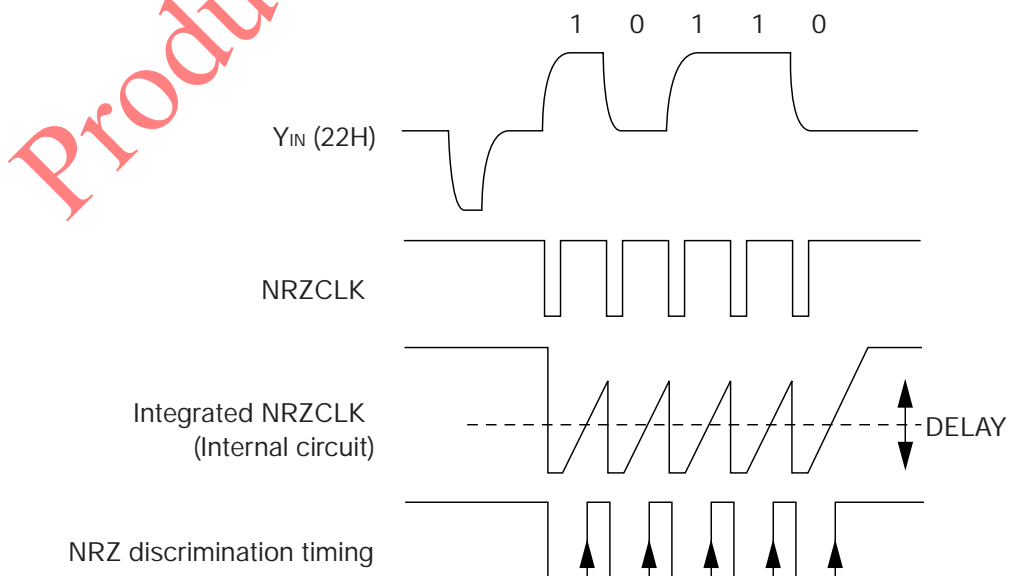


1. The largest of Y, I and Q video input signals is output on MAX output pin.
2. MAX output data is integrated during horizontal scanning.
3. Integration results are sampled and held at HD pulse timing.
4. Consecutive comparison ADC outputs data as serial data.  
(Serial data is 1H delayed from video signal input.)
5. Output data configuration is as shown in the table below.

Data configuration

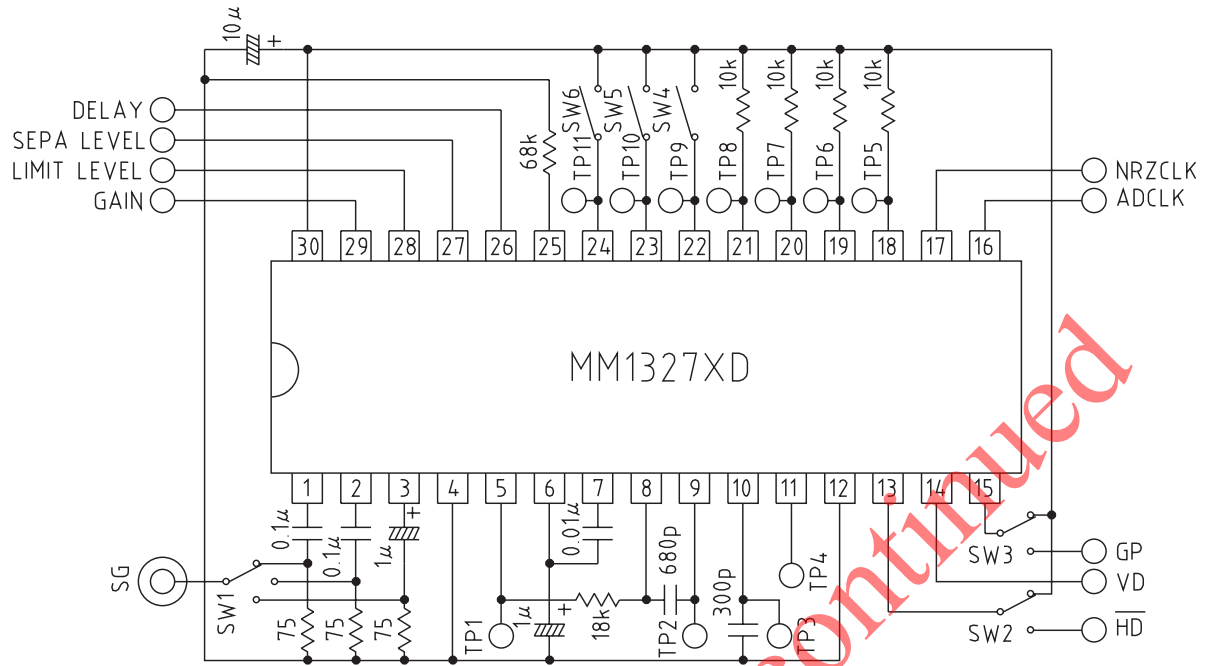
Y input	PEAK	Video	DATA
Peak of more than 50IRE	1	White scanning	00
No peak of more than 50IRE	0	Black scanning	3F

Timing Chart 3



1. When  $Y_{IN}$  input signal matches "10110" at NRZ discrimination timing, it is identified as an EDTV2 signal.  
EDTV2 pin is high for EDTV2 identification.

Measuring Circuit



Products to be discontinued