

IC for Regulator+Reset Monolithic IC MM1482

June 23, 1999

Outline

This IC, developed for use in CD-ROM drives, combines a 3V regulator adapted to low power consumption with a much-sought reset function (regulator input monitoring), with internal delay circuit, set to detect 4.2V.

Features

1. Large output current 300mA max.
2. High ripple rejection rate 80dB typ.
3. Internal thermal shutdown circuit.
4. Internal current-limiting circuit.
5. Adjustment-free reset detection voltage 4.2V typ.
6. Easy to set delay time from voltage detection to reset release.
7. Operating temperature range and ripple elimination rate are available separately for 3 ranks.

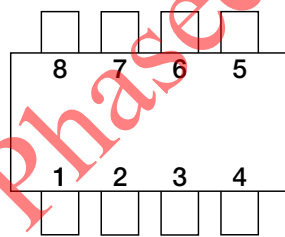
Package

SOP-8D

Applications

1. CD-ROM drive
2. Optical disc drivers

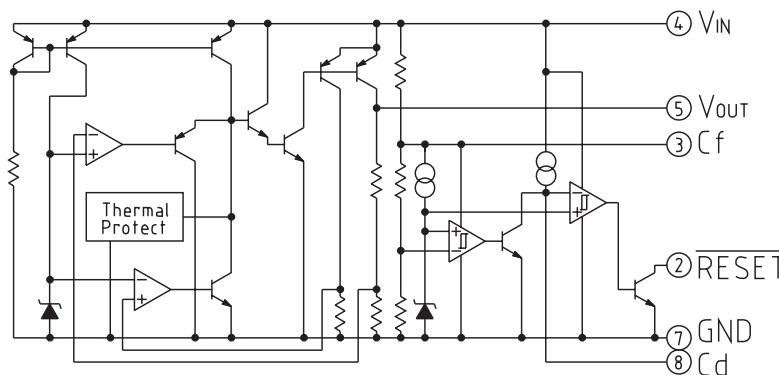
Pin Assignment



SOP-8D
(TOP VIEW)

1	N. C
2	RESET
3	Cf
4	V _{IN}
5	V _{OUT}
6	N. C
7	GND
8	Cd

Equivalent Circuit Diagram



Pin Description

Pin No.	Pin name	Functions	Equivalent circuit diagram						
1	N. C								
2	RESET	<p>V_{IN} pin voltage detection output</p> <p>RESET pin logic</p> <table border="1"> <tr> <td></td> <td>RESET</td> </tr> <tr> <td>V_{IN}<V_S</td> <td>L</td> </tr> <tr> <td>V_{IN}>V_S</td> <td>H</td> </tr> </table>		RESET	V _{IN} <V _S	L	V _{IN} >V _S	H	
	RESET								
V _{IN} <V _S	L								
V _{IN} >V _S	H								
3	Cf	<p>Ripple-filter pin (RESET)</p> <p>Please connect a capacitor between Cf-GND to reject ripple voltage of V_{IN} for RESET. It become C-R low-pass filter. Internal impedance of Cf is typically 14kΩ.</p>							
4	V _{IN}	Voltage supply input pin							
5	V _{OUT}	Regulator Output pin							
6	N. C								
7	GND	GND pin							
8	Cd	<p>Delay time capacitor pin</p> <p>RESET pin output delay time can be set by the capacitance connected to the Cd pin.</p> <p>$t_{PLH} = 100000 \cdot C$</p> <p>t_{PLH}: transmission delay time [s]</p> <p>C: capacitor value [F]</p>							

Absolute Maximum Ratings

Item	Symbol	Ratings	Unit
Operating temperature *1	T _{OPR}	-30~+85	°C
Storage temperature	T _{STG}	-40~+125	°C
Supply voltage	V _{IN}	-0.3~+10	V
Output current	I _{OUT}	400	mA
Power dissipation	P _d	400(Alone)* 950(With board mounted)*2	mW

Note1: *1 Rank B: -20 ~+80°C ; Rank A: -30 ~ +85°C

Note2: *2 When mounted on a (Copper foil area 80% 192×142×1t mm glass epoxy board.

Recommended Operating Conditions (Typical model MM1482C) (Except where noted otherwise, Ta=25°C)

Item	Symbol	Ratings	Unit
Operating temperature	T _{OP}	-20~+85	°C
Output current	I _{OP}	0~300	mA
Operating voltage	V _{OP}	0~10	V

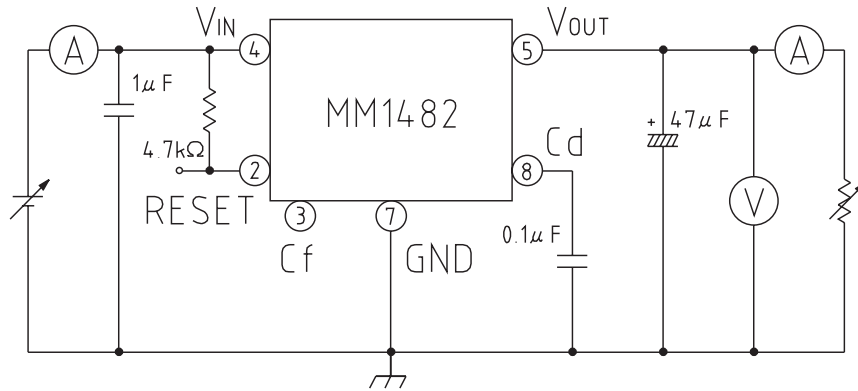
Note1: *1 Rank B: -20 ~+80°C ; Rank A: -30 ~ +85°C

Electrical Characteristics (Typical model 1482C) (Except where noted otherwise, Ta=25°C, V_{CONT}=1.6V)
(Except where noted otherwise, resistance unit is Ω)

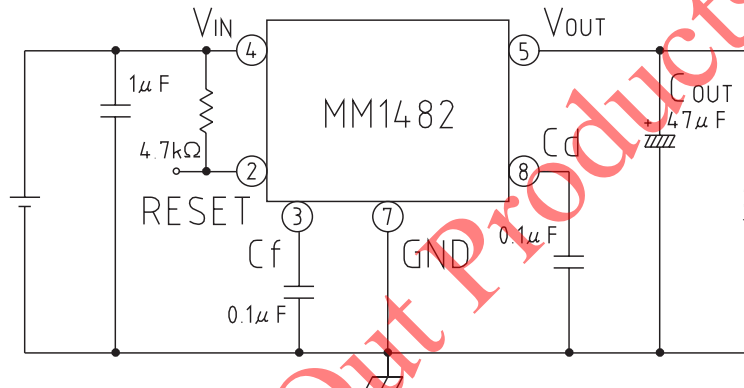
Item	Symbol	Measurement conditions	Min.	Typ.	Max.	Unit
No-Load Input Current	I _{ccgl}	V _{IN} =5V I _{OUT} =0mA C rank		2.2	4	mA
		A, B rank		3.0	6.0	mA
Regulator						
Output Voltage	V _{OUT}	V _{IN} =5V I _{OUT} =30mA	3.23	3.30	3.37	V
Input-Output differential Voltage	V _{iO}	V _{IN} =3.2V I _{OUT} =150mA		0.15	0.3	V
Line Regulation	ΔV ₁	V _{IN} =4.4V~5.5V I _{OUT} =30mA		0.05	5	mV
Load Regulation	ΔV ₂	V _{IN} =5V I _{OUT} =0mA~300mA		20	120	mV
V _{OUT} Temperature Coefficient *1	ΔV _{OUT} /ΔT	T _j =-20~+80°C V _{IN} =5V I _{OUT} =30mA		100		ppm/°C
Ripple Rejection *1	RR	V _{IN} =5V f=120Hz V _{RIPPLE} =1V _{P-P} I _{OUT} =30mA C rank	50	80		dB
		A, B rank	50	90		dB
Output Noise Voltage *1	V _n	V _{IN} =5V, f=20~80kHz I _{OUT} =30mA C rank		60	120	μV _{rms}
		A, B rank		40	120	μV _{rms}
Reset						
Detecting Voltage	V _s	V _{IN} =H→L	4.11	4.20	4.29	V
V _s temperature Coefficient *1	ΔV _s /ΔT	T _j =20~80°C		100		ppm/°C
Hysteresis Voltage	ΔV _s	V _{IN} =H→L→H	100		200	mV
Low-Level Output Voltage	V _{OL}	V _{IN} =3.9V R _L =4.7k		100	200	mV
Output Leakage Current	I _{OH}	V _{IN} =5V			±0.1	μA
Output Current when ON 1	I _{OL}	V _{IN} =3.9V, R _L =0	5			mA
Output Current when ON 2 *1	I _{OL}	V _{IN} =3.9V, R _L =0 Ta=-20~+80°C	3			mA
"H"Transmission Delay Time *1	t _{PLH}	Cd Pin=open		30	90	μs
Reset Delay Time *1	t _{PLH1}	V _{IN} =4V→5V, Cd=0.1μF	5	10	20	ms
"L"Transmission Delay Time *1	t _{PHL}	Cd pin=open		30	90	μs
Threshold Operating Voltage	V _{OPL}	V _{OL} =0.4V		0.65	0.85	V
Cf terminal impedance	R _{CF}	V _{IN} =5V		14		kΩ

Note 1: design guaranteed

Measuring Circuit



Application Circuit

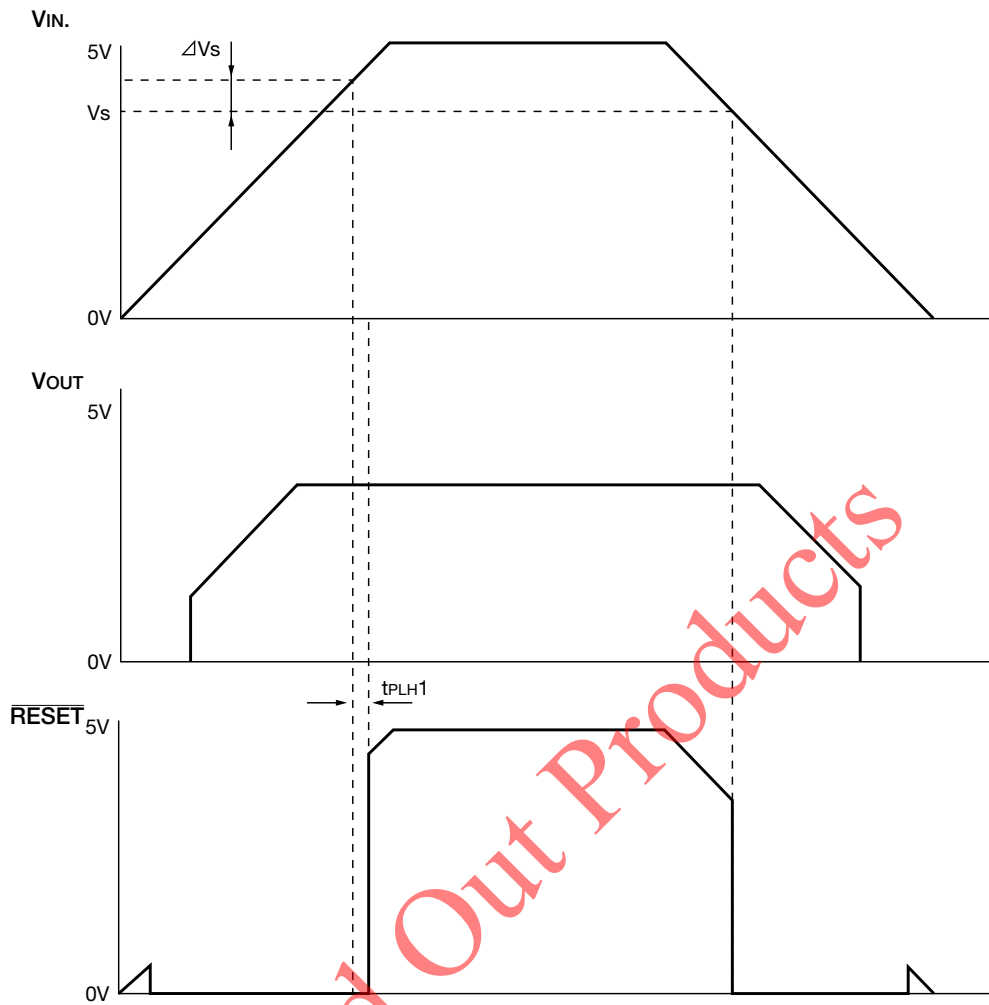


Note 1 : This regulator is not internally compensated and thus requires an external output-capacitor (C_{OUT}) for stability.

Note 2 : Please be careful with regard to set wiring and temperature-related capacitor changes that may cause oscillation.

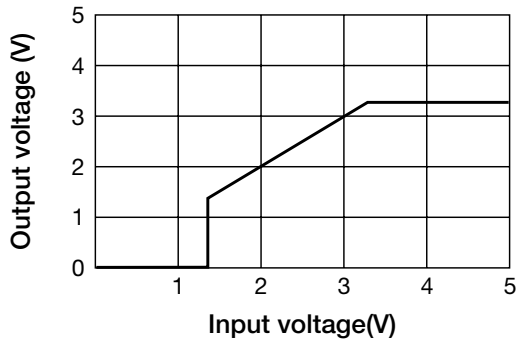
Phased Out Products

Timing Chart

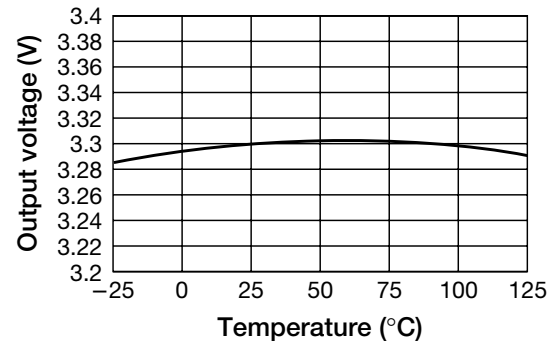


Characteristics (Typical model MM1482C)

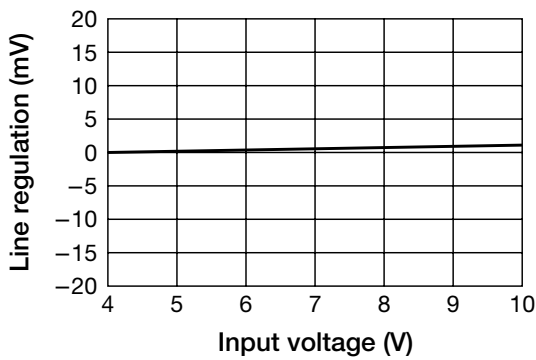
Regulator Output



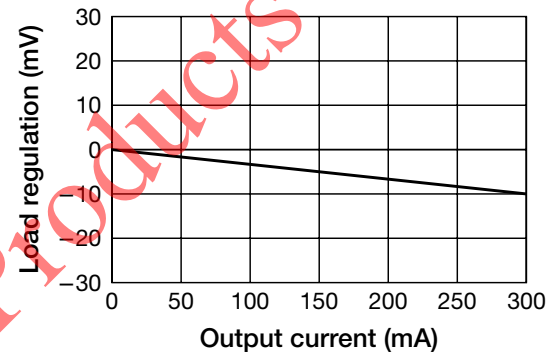
Output voltage vs temperature



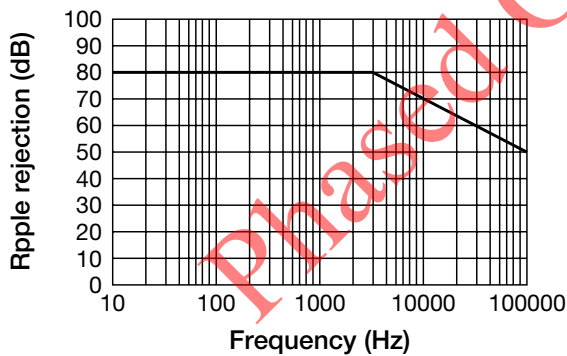
Line regulation



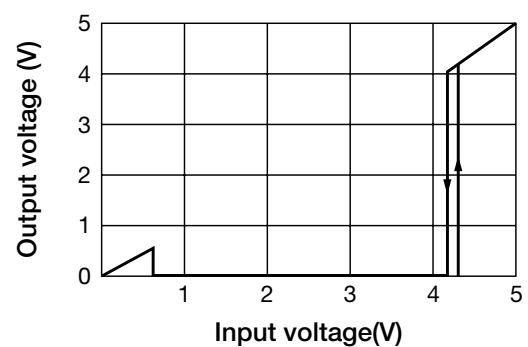
Load regulation



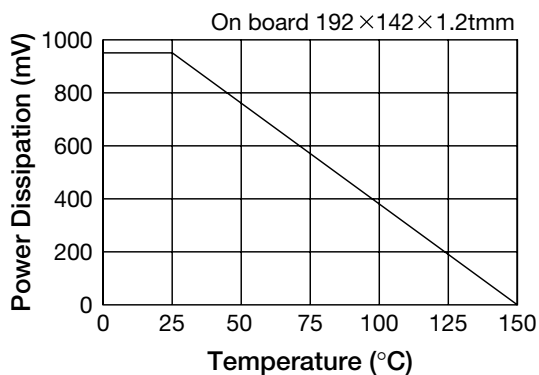
Ripple rejection



Reset Output



Power Dissipation



Detecting voltage vs temperature

