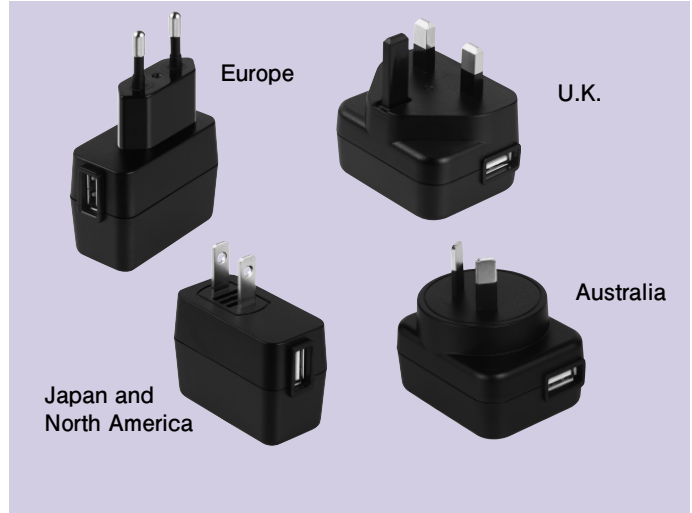


5W USB Output AC Adaptor with Worldwide Input ADP-USB-W2 Series

Adaptors, Chargers/Switching Power Supplies

OUTLINE

AC adaptor for use overseas, featuring a USB standard TYPE_A connector for output.
Can meet safety standards for all destinations.



FEATURES

1. A series of standard cases is available for each country and region.
2. Downsizing. To about 85% of the old model down size. (except AC plug)
3. 5W output capacity.

USES

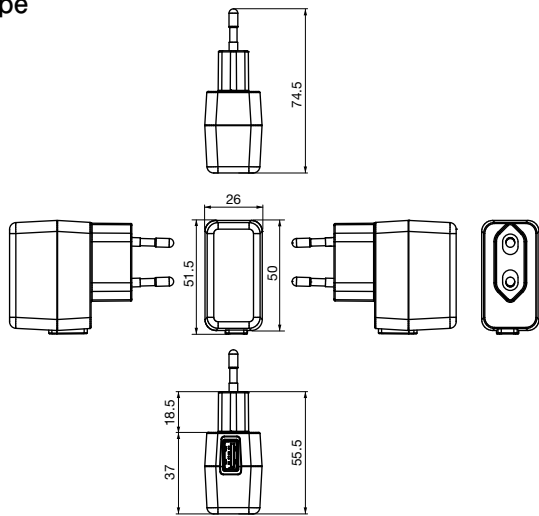
Information communication terminal. (Mobile phone, smartphone, etc.)

SPECIFICATIONS

Item	Specifications
Input voltage	AC100~240V 50/60Hz
Output capacity	5V/1.0A
Stand-by power	100mW or less
Output control method	Primary Control
Average efficiency	70%
Operating temperature range	0~40°C
Storage temperature range	-20~60°C
Output connector	USB TypeA
Safety standards	Conforms to IEC60950
Destinations	Japan, North America, China, Australia, U.K., Europe

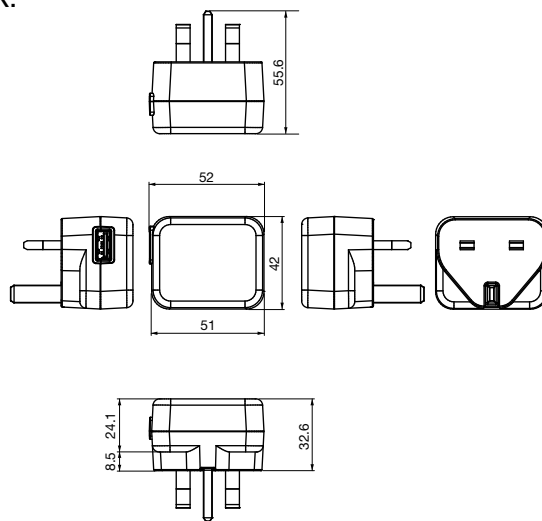
DIMENSIONS

Europe



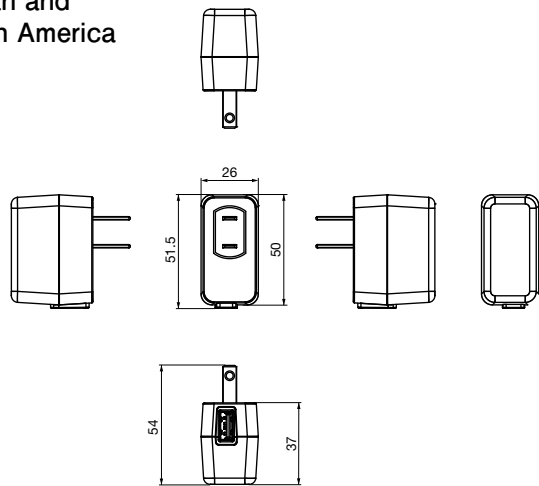
Unit : mm

U.K.



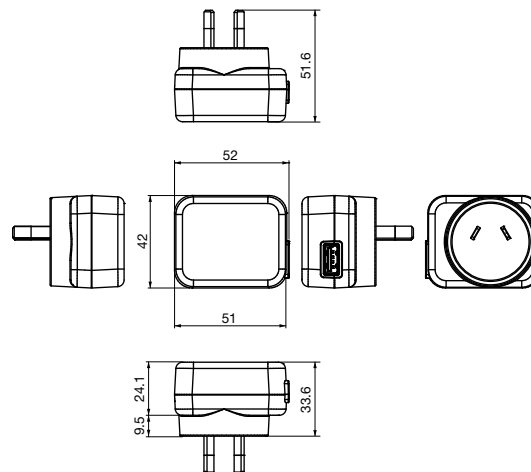
Unit : mm

Japan and North America



Unit : mm

Australia



Unit : mm