

Precision Adjustable Shunt Regulator

MM1530CU

Outline

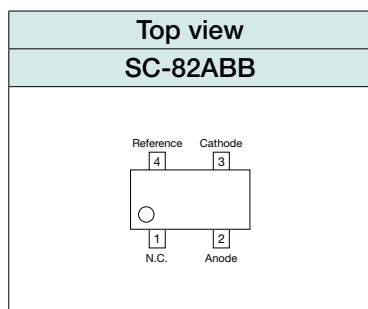
This IC is 3-terminal adjustable shunt regulator, which provides a highly accurate 0.8% bandgap reference voltage. The output voltage can be adjusted to any value between reference voltage V_{REF} and 12V with two external resistors. Moreover, there are a lot of ranges of the application as a zener diode besides the replacement is possible because it has steep turn-on characteristics

Features

(Unless otherwise specified, $T_{opr}=+25^{\circ}C$)

- (1) Reference voltage tolerance $V_{REF}=1.270V\pm 0.8\%$
- (2) Output voltage can be adjusted $V_{REF}\leq V_o\leq 12V$
- (3) Low Dynamic Output Impedance $|Z_{KA}|\leq 0.13\Omega$ typ.
- (4) Specifications
 - Operating Temperature $-30\sim +85^{\circ}C$
 - Cathode to Anode voltage VKA $V_{REF}\sim 12V$
 - Cathode current IK $1\sim 30mA$
 - Reference voltage V_{REF} $1.270V\pm 0.8\%$
 - Reference voltage deviation over temperature range $\pm 10mV$ ($V_{KA}=V_{REF}$, $I_K=10mA$ $T_a=-30\sim +85^{\circ}C$)
 - Minimum Cathode Current $I_{kmin.}$ $0.3mA$ max.
 - Off-state Cathode Current $I_{OFF.}$ $0.1\mu A$ typ.

Pin Assignment



Product list

Package	Parts no.	Reference voltage	Cathode current	Dynamic impedance
SC-82ABB	MM1530CURE	1.270V±0.8%	0.3~15 mA	0.2Ω typ. / 0.8 Max

• Any products mentioned in this catalog are subject to any modification in their appearance and others for improvements without prior notification.
 • The details listed here are not a guarantee of the individual products at the time of ordering. When using the products, you will be asked to check their specifications.