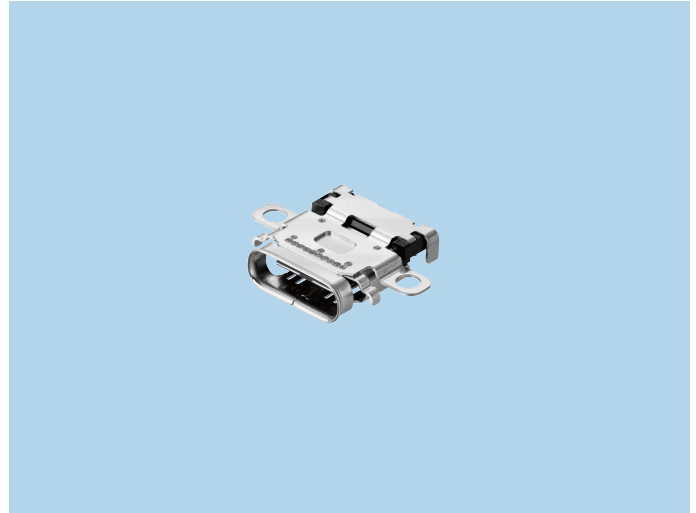


USB Connectors “Type-C Series” CAM-L12B Series

FEATURES

1. USB 3.1 Type-C™ Standard Compliant
2. TID : 5,200,000,803
3. USB PD Support
4. Improved wrenching strength
5. Optimized design with Precise processing technology advantage
6. High Quality



CAM-L12B Series LIST

Model	Receptacle	Connector Type
CAM-L12B	Mid-Mount type	USB Type-C

SPECIFICATIONS

ELECTRICAL CHARACTERISTICS

Rated Voltage	20V rms
Rated Current	VBUS pins (A4,A9,B4,B9) : Each pins total DC 5A max. GND pins (A1,A12,B1,B12) : Each pins total DC 6.25A max. Vconn : DC 1.25A max. Other pins : DC 0.25A
Withstanding Voltage	AC 100V (rms) 1minute
Insulation Resistance	100MΩ (Initial)
Contact Resistance	40mΩ max. (Initial)

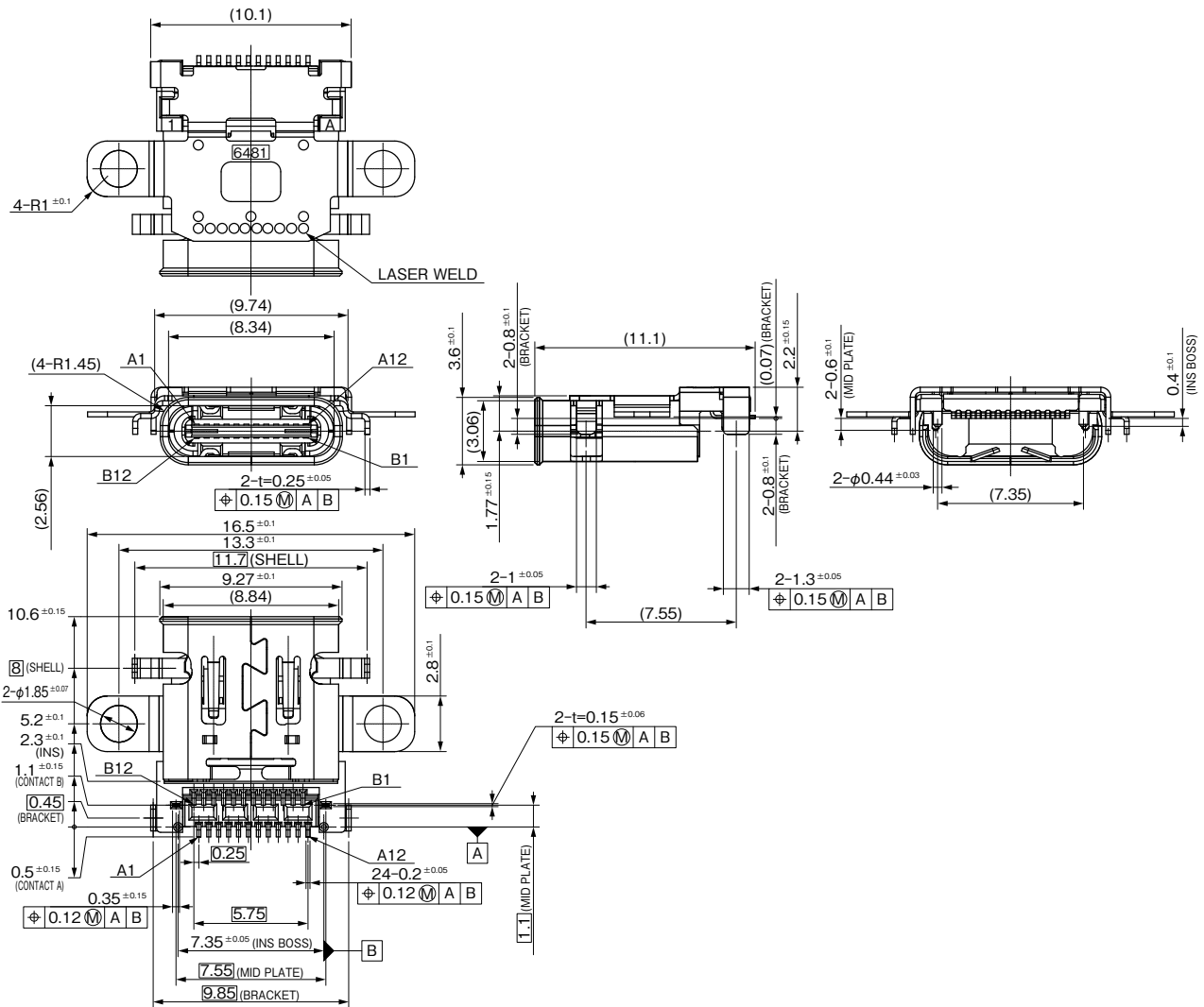
MECHANICAL CHARACTERISTICS

Life (Matching Cycle)	10,000 Cycles
Total Insertion Force	5 to 20N
Total Withdrawal Force	8 to 20N (Initial), 6 to 20N (After)

MATERIAL & FINISH

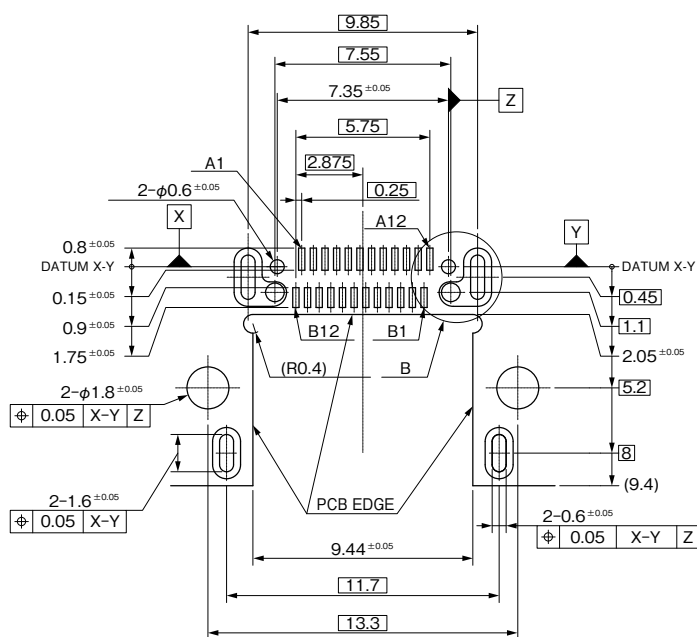
Component Parts	Material	Finish
Housing	Nylon	Black
Contact	Copper alloy	NiPd+Au Plating
Shell	SUS/SUS	Ni Plating
Mid Plate	SUS/SUS	Ni Plating

DIMENSIONS

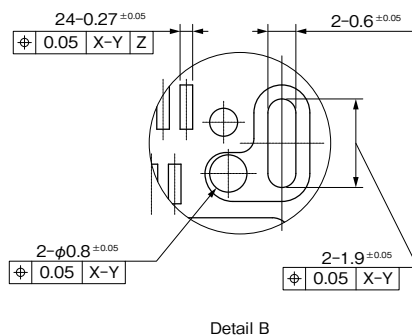


Unit : mm

• Any products mentioned in this catalog are subject to any modification in their appearance and others for improvements without prior notification.
 • The details listed here are not a guarantee of the individual products at the time of ordering. When using the products, you will be asked to check their specifications.



RECOMMENDED PWB LAYOUT (REFERENCE)



Detail B

• Any products mentioned in this catalog are subject to any modification in their appearance and others for improvements without prior notification.
 • The details listed here are not a guarantee of the individual products at the time of ordering. When using the products, you will be asked to check their specifications.