

Module for Digital Terrestrial 1seg Broadcasting Reception for Japan. DVT7-J04D/J10D

Terrestrial Tuners, RF Modulators

OUTLINE

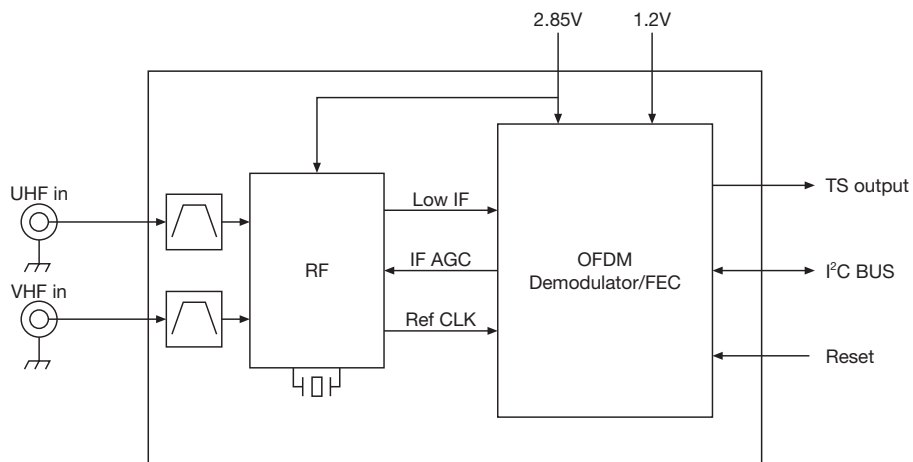
Developed as a module for domestic UHG/VHF 1seg reception.
RF unit, OFDM NIM-type built in demodulation unit.



FEATURES

1. High tolerance to interference due to built in filter that suppresses cell phone transmissions.
2. Integrated with OFDM demodulation IC that supports superior multipath phasing characteristics.
3. Possibility of car mounting.
4. High reliability of module soldering by printed circuit board with edge through hole that enables support for reflow.
5. Low power consumption type series also available.
6. J04D/J10D outer form compatibility.

BLOCK DIAGRAM



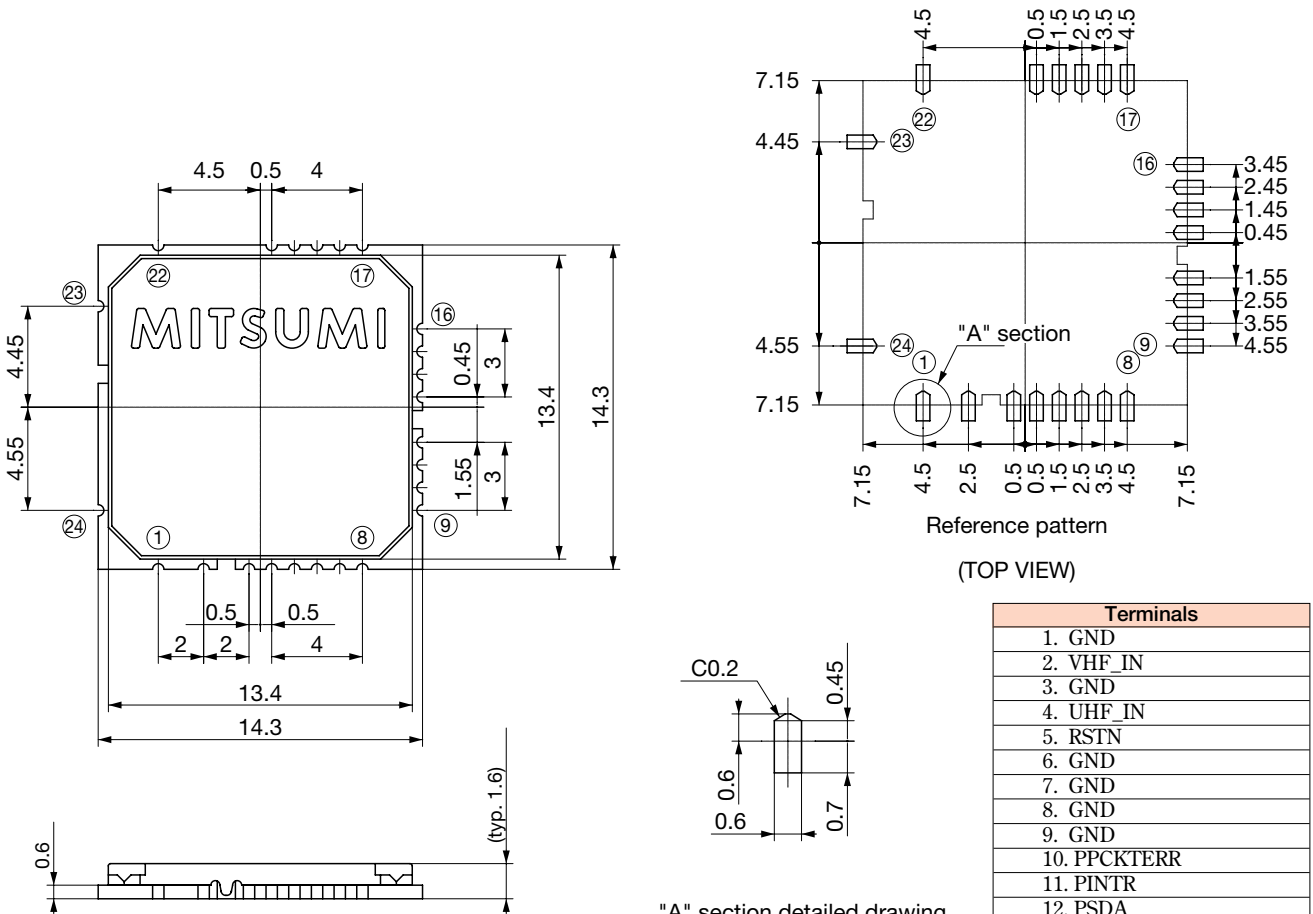
Module for Digital Terrestrial 1seg Broadcasting Reception for Japan.

SPECIFICATIONS

Item	Specifications
Receiving Frequency	470~770MHz (UHF 13~62Ch) 188~198MHz (VHF 7,8ch)
Input impedance	50Ω
Maximum input level	+5dBm
Minimum sensitivity	-96dBm (typ)
Return Loss	-7dB max.
Controller Bus Interface	I ² C Bus Control
Power Supply Voltage	2.85V, 1.2V
Output Data	Serial TS
Power Consumption	DVT7-J04D ; 115mW DVT7-J10D ; 145mW
Dimension (Mounting area)	14.3 (W) × 14.3 (D) × 1.6 (H)

*Note Specifications subject to change without notice.

DIMENSIONS



Reference pattern (TOP VIEW)

Terminals
1. GND
2. VHF_IN
3. GND
4. UHF_IN
5. RSTN
6. GND
7. GND
8. GND
9. GND
10. PPCKTERR
11. PINTR
12. PSDA
13. PSCL
14. GND
15. PPCKTSY
16. PDTEN
17. DT07
18. DTCLK
19. +1.2V
20. +2.85V
21. GND
22. GND
23. GND
24. GND

"A" section detailed drawing (24-point common)

Unit : mm
General Tolerance : ±0.5mm

*For the technical details of the products in this page, please refer to Marketing & Engineering Div., AVC Business Div., Network Devices Business HQ. 046-230-3480.