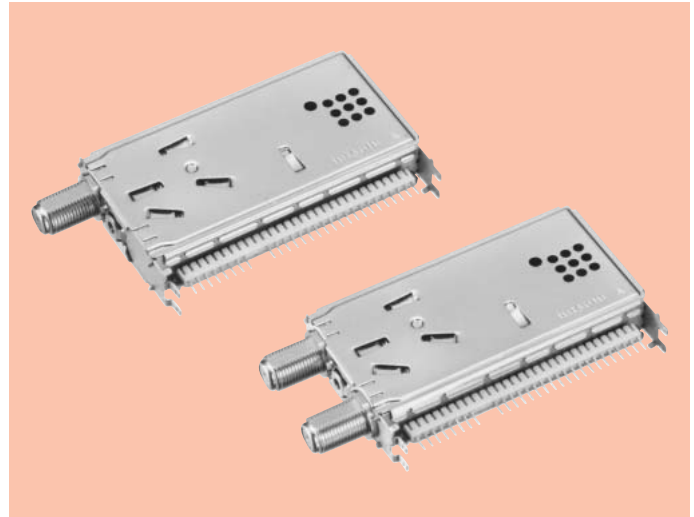


RF Units for Digital Terrestrial Broadcasting Receiver for Japan DVT33-J06D, J04DT

Terrestrial Tuners, DBS 2nd RF Units

OUTLINE

DVT33-J series is RF unit for Japan digital terrestrial broadcasting reception. Built in OFDM demodulation IC, high performance, compact size. It is based on all domestic digital terrestrial broadcasting transmissions.

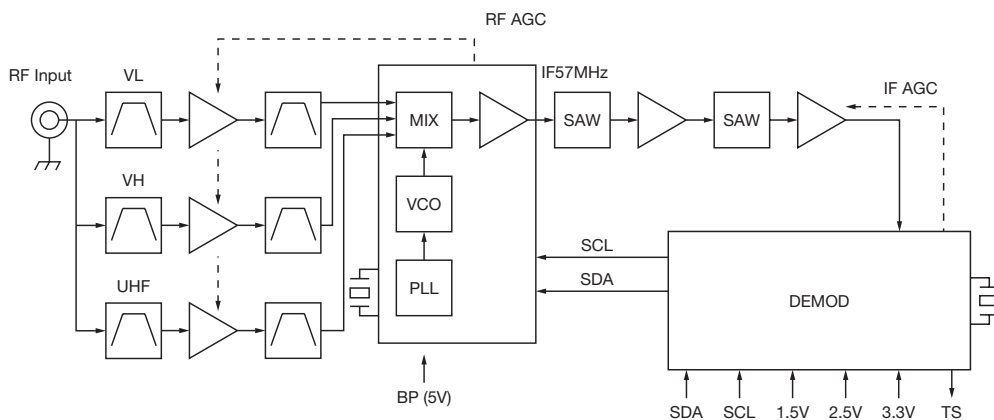


FEATURES

1. NIM type with OFDM demodulation IC.
2. High sensitivity, low distortion.
3. Full band (UHF/CATV/VHF).
4. Same size as digital RF unit (BS/CS/CATV).
5. TS output can use by parallel/serial.
6. Shape is available for vertical and horizontal.
7. No need BT (+33V)
8. Loop through type (DVT33-J04DT).

BLOCK DIAGRAM

DVT33-J06D



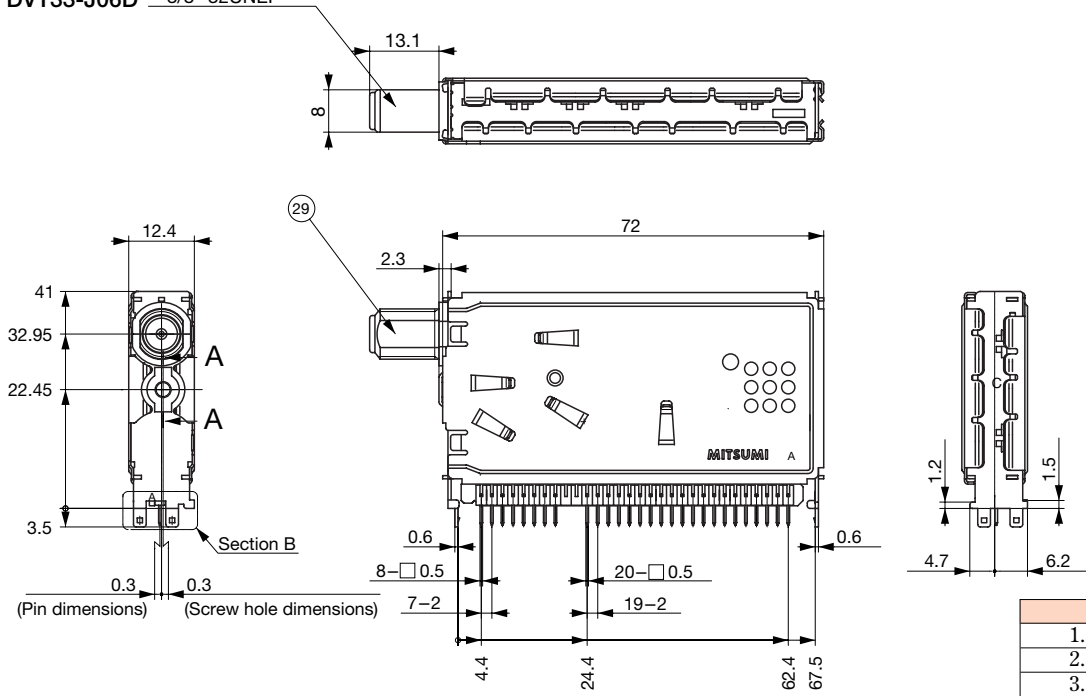
SPECIFICATIONS

Item	Specifications
Receiving Frequency Range	93.143~767.143MHz
Intermediate Frequency	57MHz
Input Signal Level	-20~-75dBm
Input Impedance	75Ω
Noise Figure	5dB typ.
Phase Noise	-90dBc/Hz typ. @1kHz offset
Controller Bus Interface	I ² C BUS Control
Power Supply Voltage	1.5/2.5/3.3/5V

*Note Specifications subject to change without notice.

DIMENSIONS

DVT33-J06D 3/8-32UNEF



Terminals
1. NC
2. RF-AGC MONITOR
3. BP (5V)
4. NC
5. NC
6. GND
7. RESET (SYRSTN)
8. RSEORF
9. STSFLG1
10. STSFLG0
11. NC
12. 2.5V
13. GND
14. 3.3V
15. 1.5V
16. SBYTE
17. PIVAL
18. RS7
19. RS6
20. RS5
21. RS4
22. RS3
23. RS2
24. RS1
25. RS0
26. RSCKO
27. SDA
28. SCL
29. ANT IN

Unit : mm
General Tolerance : ±0.5mm

*For the technical details of the products in this page, please refer to Marketing & Engineering Div., AVC Business Div., Network Devices Business HQ. 046-230-3480.