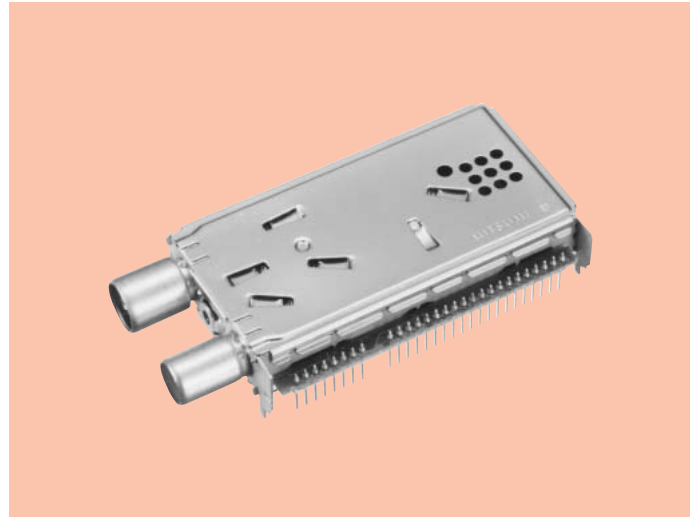


# RF Units for Digital Terrestrial Broadcasting Receiver for Europe DVT33-E02DT

Terrestrial Tuners, DBS 2nd RF Units

## OUTLINE

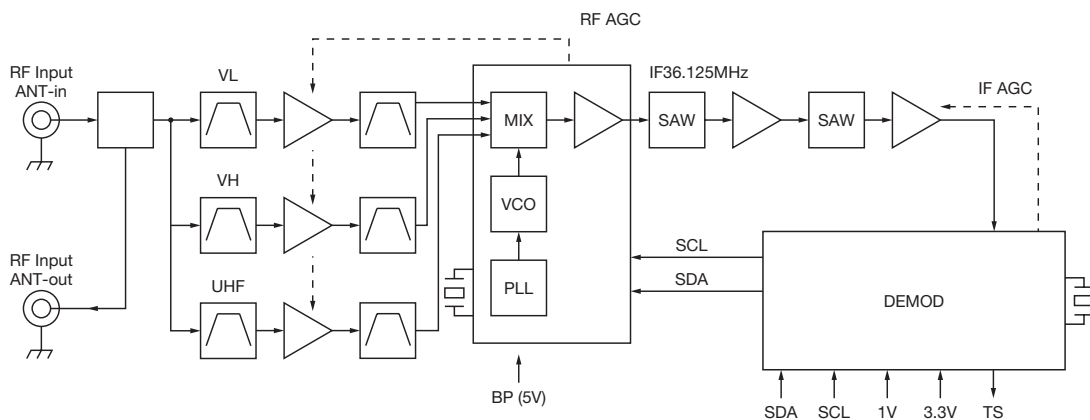
DVT33-E series is RF unit for Europe digital terrestrial broadcasting reception. Built in OFDM demodulation IC, high performance, compact size. It is based on all domestic digital terrestrial broadcasting transmissions.



## FEATURES

1. NIM type with OFDM demodulation IC.
2. High sensitivity, low distortion.
3. Full band (UHF/CATV/VHF).
4. Same size as digital RF unit (BS/CS/CATV).
5. TS output can use by parallel/serial.
6. Shape is available for vertical and horizontal.
7. No need BT (+33V)
8. Loop through type.

## BLOCK DIAGRAM



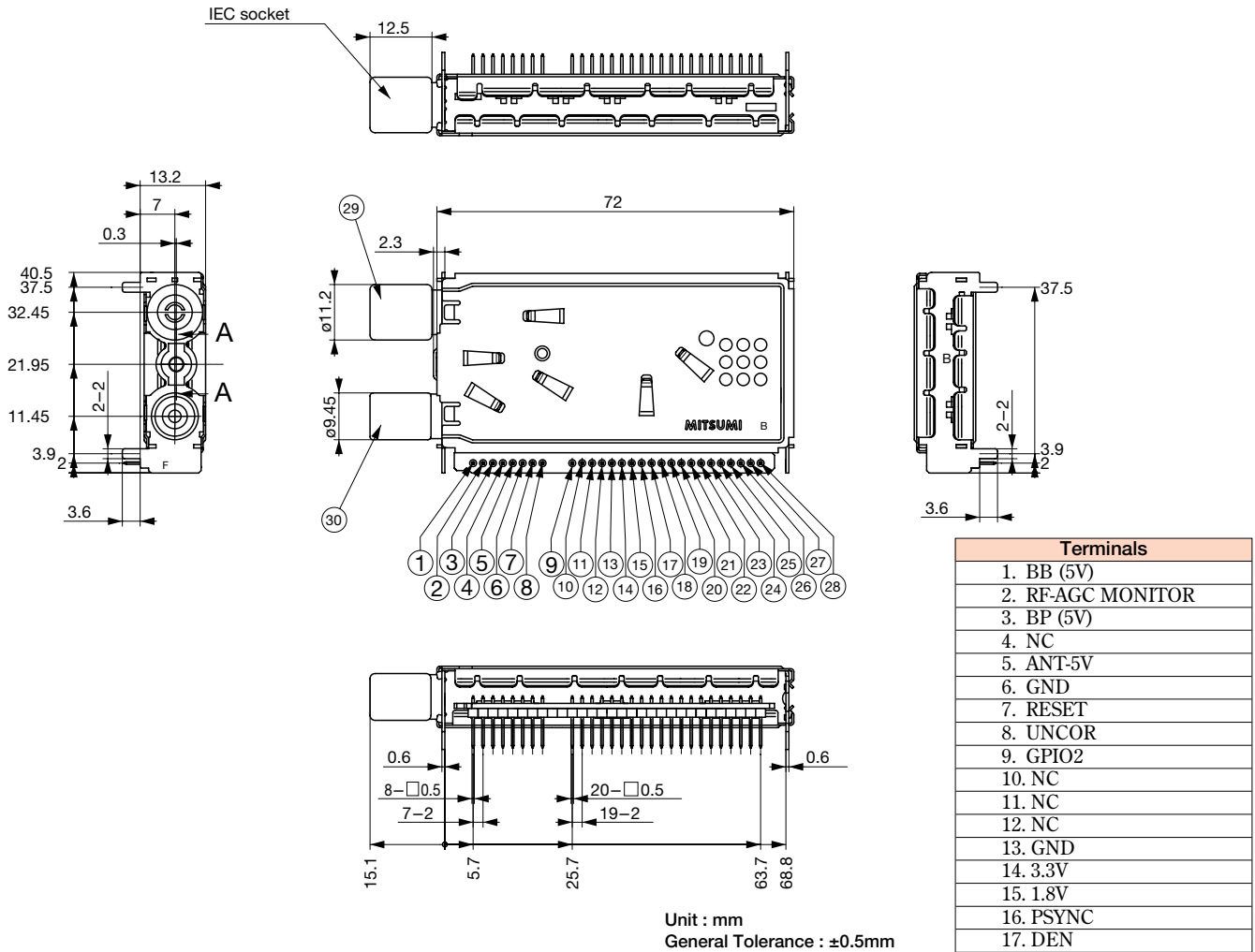
RF Units for Digital Terrestrial Broadcasting Receiver for Europe

SPECIFICATIONS

Item	Specifications
Receiving Frequency Range	47~68MHz, 174~230MHz, 470~862MHz
Intermediate Frequency	36.125MHz
Input Signal Level	-20~-78dBm typ.
Input Impedance	75Ω
Noise Figure	5dB typ.
Phase Noise	-90dBc/Hz typ. @1kHz offset
Controller Bus Interface	I <sup>2</sup> C BUS Control
Power Supply Voltage	1.8/3.3/5.0V

\*Note Specifications subject to change without notice.

DIMENSIONS



\*For the technical details of the products in this page, please refer to Marketing & Engineering Div., AVC Business Div., Network Devices Business HQ. 046-230-3480.