

Integrated Tuner for Digital Terrestrial/BS/110 Degree CS Broadcasting Receiver for Japan DMT27-J05D

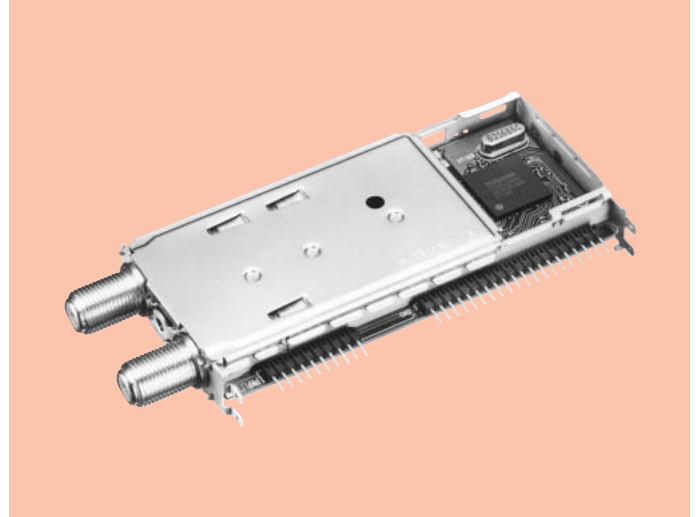
Terrestrial Tuners, RF Modulators

OUTLINE

Compatible with Japanese domestic specifications on Digital Terrestrial Broadcasting (ISDB-T) and Digital BS/Digital 110 Degree CS Broadcasting (ISDB-S). (In conformance with ARIB standards)

Built in high technology and high performance demodulation IC that supports Digital Terrestrial/BS/110 Degree CS Broadcasting. Super sensitivity, with superior tolerance to various types of interference, integrated in a compact size pack.

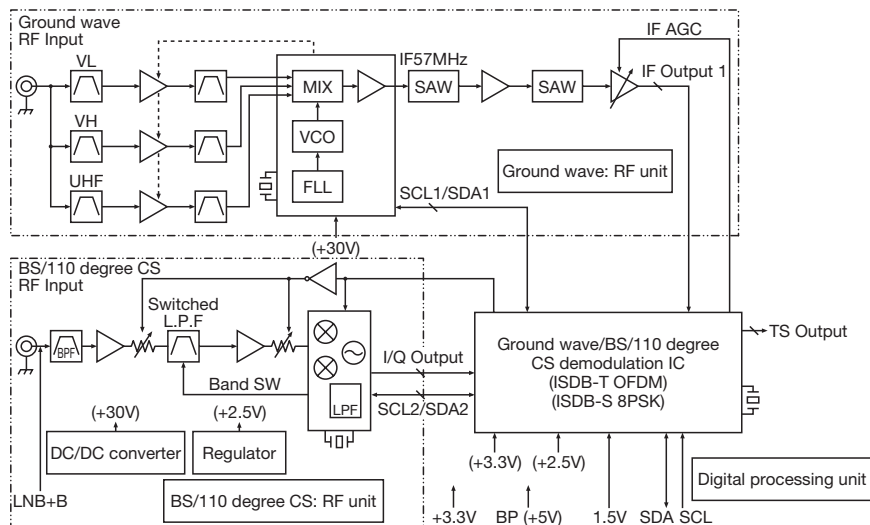
For terrestrial and satellite broadcasting reception, RF unit, OFDM/PSK NIM-type built in demodulation unit.



FEATURES

1. High sensitivity that supports ISDB-T, ISDB-S; high C/N margin characteristics.
2. Possibility of integration into Flat TV, DVD recorder, dedicated receiver (STB), computers, etc.
3. Powered by 4 power sources: 1.5V, 3.3V, 5V and 32V. (Built in 32V type is optional).
4. Possibility of upright or horizontal configurations.
5. Possibility of simultaneous serial 2TS output.

BLOCK DIAGRAM



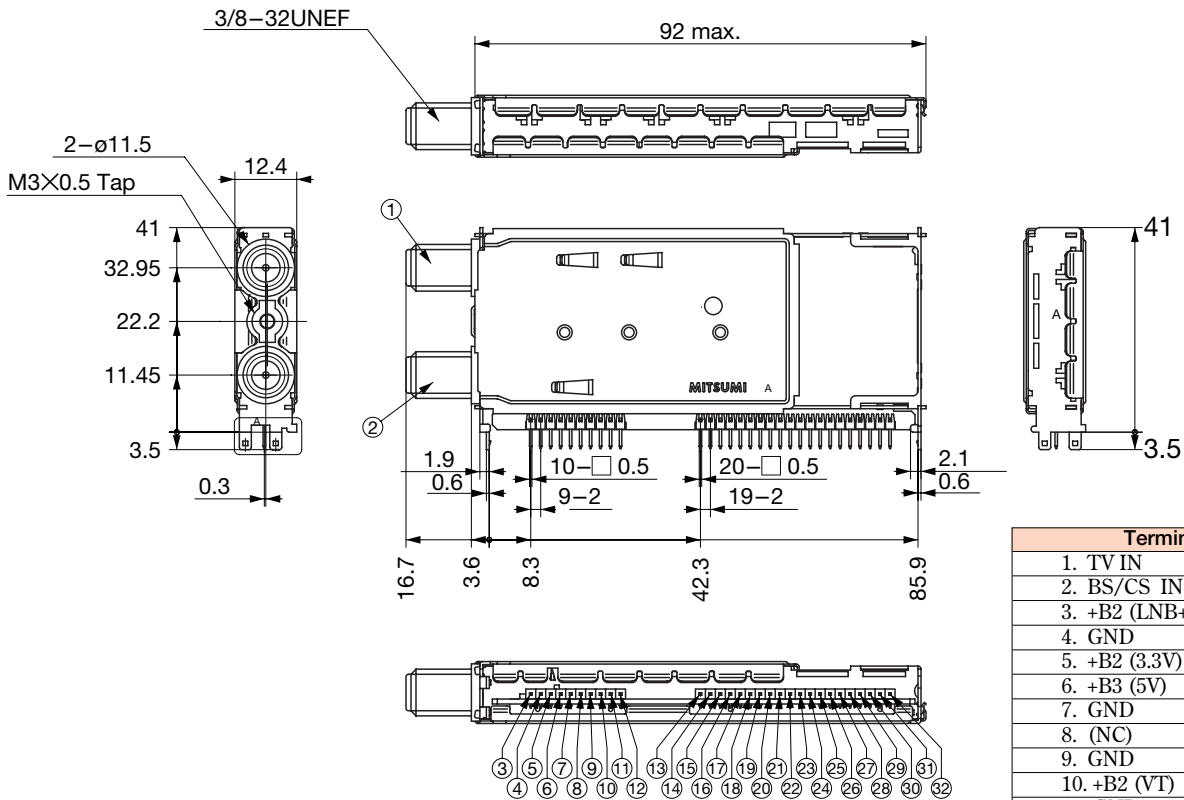
Integrated Tuner for Digital Terrestrial/BS/110 Degree CS Broadcasting Receiver for Japan

SPECIFICATIONS

Item	Specifications
Receiving Frequency Range	OFDM : VHF/UHF : 1ch~62ch, CATV : C13~C63ch PSK : 950~2150MHz
Input Level Range	OFDM : -20~-75dBm PSK : -65~-25dB (mW)
IF Frequency	OFDM : 57MHz
Base Band Band-Width	PSK : 23MHz (I/Q OUT L.P.F. cutoff frequency)
Controller Bus Interface	I ² C Bus
Dimension (Mounting area)	92 (W) × 42 (D) × 12.4 (H)

*Note Specifications subject to change without notice.

DIMENSIONS



Terminals
1. TV IN
2. BS/CS IN
3. +B2 (LNB+B)
4. GND
5. +B2 (3.3V)
6. +B3 (5V)
7. GND
8. (NC)
9. GND
10. +B2 (VT)
11. GND
12. PORT1
13. STSFLG0 (EMG_F)
14. STSFLG1 (RSERR)
15. SBYTE
16. SRCK
17. SRDT
18. PIVAL
19. JSBYTE
20. JPIVAL
21. JRSERR
22. JSRDT
23. JSRCK
24. JSTSFLG1 (TMCC_F)
25. JSTSFLG0 (EMG_F)
26. GND
27. ADR_SEL
28. SCL
29. SDA
30. GND
31. /RESET
32. +B5 (1.5V)

Unit : mm
General Tolerance : ±0.5mm

*For the technical details of the products in this page, please refer to Marketing & Engineering Div., AVC Business Div., Network Devices Business HQ. 046-230-3480.