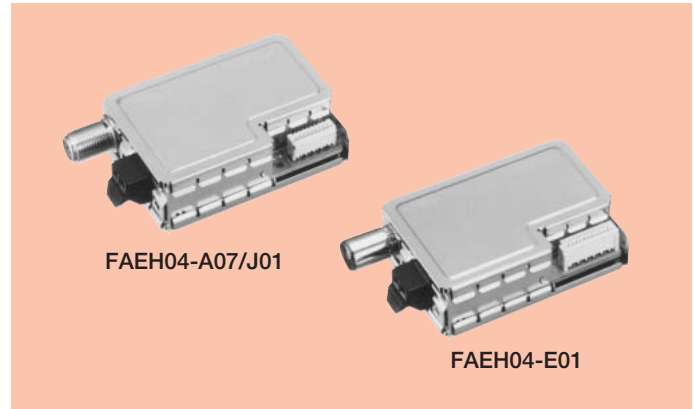


Compact, AM/FM Electronic Tuner for Popular Class Home Stereo FAEH04-A07/J01/E01

AM/FM Electronic Tuners

FEATURES

1. Compact, AM/FM combined tuner.
2. Applicable to home radio receivers and stereo units most suitably.
3. Adopt the IC that has detection, demodulation and PLL circuits internally.
4. Output connector correspond FFC.



SPECIFICATIONS

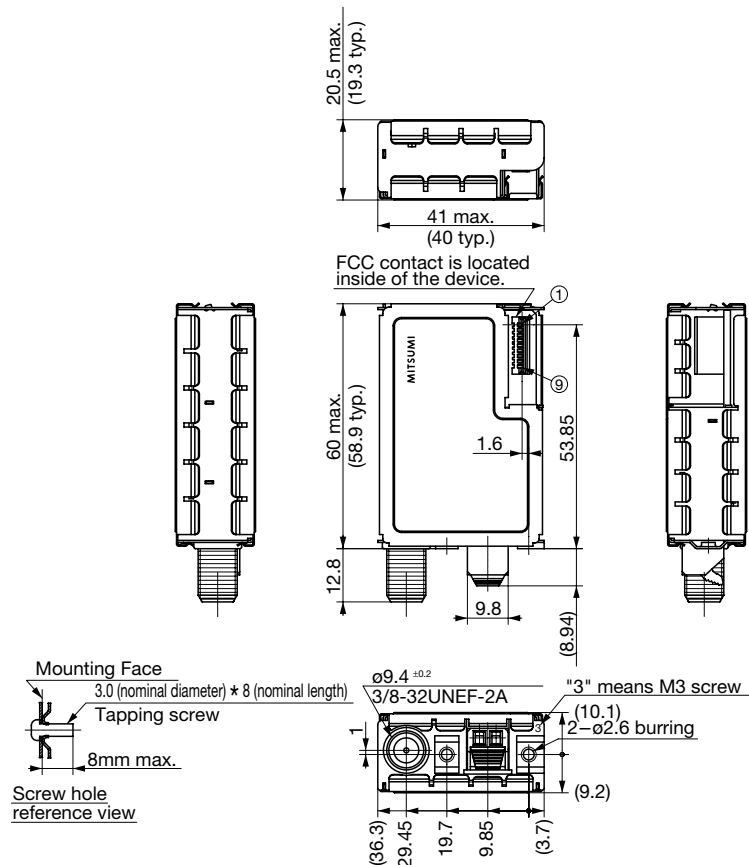
Item		FAEH04-A07	FAEH04-J01	FAEH04-E01
Supply Voltage		9V	9V	10V
Current Consumption	FM	80mA max. (No Signal)	80mA max. (No Signal)	100mA max. (No Signal)
	AM	80mA max. (No Signal)	80mA max. (No Signal)	100mA max. (No Signal)
Tuning Range	FM	87.5~108MHz	76.0~90MHz	87.5~108MHz
	AM	530~1710kHz	522~1629kHz	531~1611kHz
Input Impedance	FM	75Ω unbalanced	75Ω unbalanced	75Ω unbalanced
	AM	-	-	-
Center IF	FM	10.7MHz: Upper Heterodyne	10.7MHz: Lower Heterodyne	10.7MHz: Upper Heterodyne
	AM	450kHz	450kHz	450kHz
Usable Sensitivity	FM	24dBμV EMF max. (14dBμV EMF typ.) S/N 50dB, at 98MHz	24dBμV EMF max. (14dBμV EMF typ.) S/N 50dB, at 83MHz	24dBμV EMF max. (14dBμV EMF typ.) S/N 50dB, at 98MHz
	AM	60dB/m max. (49dB/m typ.) S/N 20dB, at 999MHz	60dB/m max. (48dB/m typ.) S/N 20dB, at 999MHz	60dB/m max. (49dB/m typ.) S/N 20dB, at 999MHz
Image Rejection	FM	30dB min. (mono)	38dB min. (mono)	70dB min. (98.0MHz typ.)
	AM	28dB min.	28dB min.	28dB min.
IF Rejection	FM	60dB min. (mono)	60dB min. (mono)	60dB min.
	AM	45dB min.	45dB min.	45dB min.
S/N Ratio	FM	61dB min. (mono)	65dB min. (mono)	68dB min. (mono)
	AM	42dB min.	42dB min.	42dB min.
Output Level	FM	410mV r.m.s min. 730mV r.m.s max. (mono)	410mV r.m.s min. 730mV r.m.s max. (mono)	615mV r.m.s min. 975mV r.m.s max. (mono)
	AM	110mV r.m.s min.	110mV r.m.s min.	110mV r.m.s min.
Separation	FM	25dB min. (15kHz L.P.F ON)	25dB min. (15kHz L.P.F ON)	25dB min. (15kHz L.P.F ON)
	AM	-	-	-

*Note Specifications subject to change without notice.

DIMENSIONS

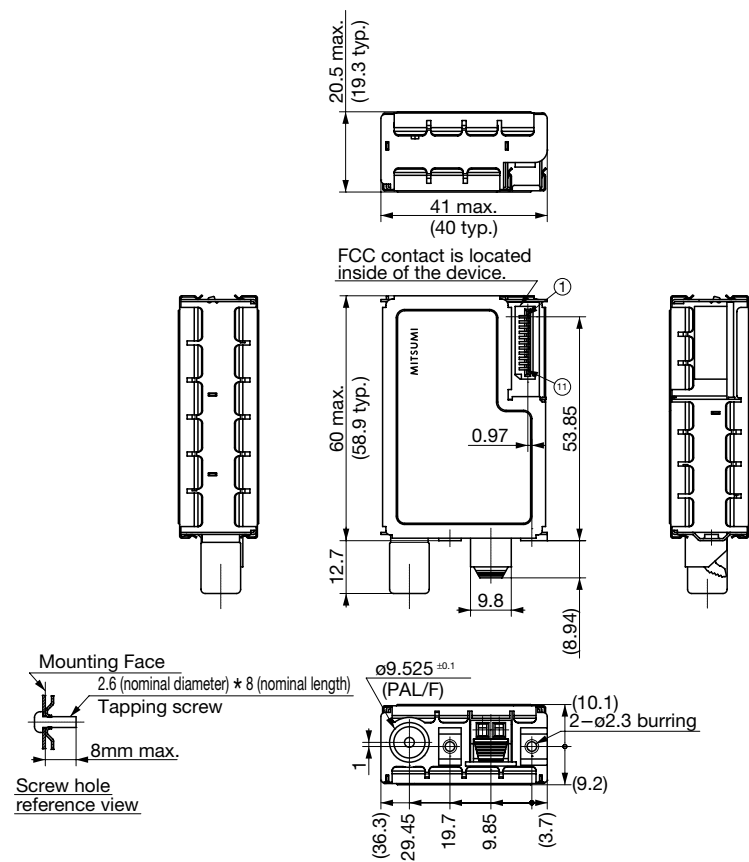
FAEH04-A07/J01

EXTERNAL TERMINALS
1. Lch
2. +9V
3. Rch
4. GND
5. TUNED
6. CE
7. DI
8. CL
9. DO/ST



FAEH04-E01

EXTERNAL TERMINALS
1. Lch
2. +9V
3. Rch
4. GND
5. TUNED
6. CE
7. DI
8. CL
9. DO/ST
10. RDS CL
11. RDS DATA



Unit : mm
General Tolerance : ±0.5