

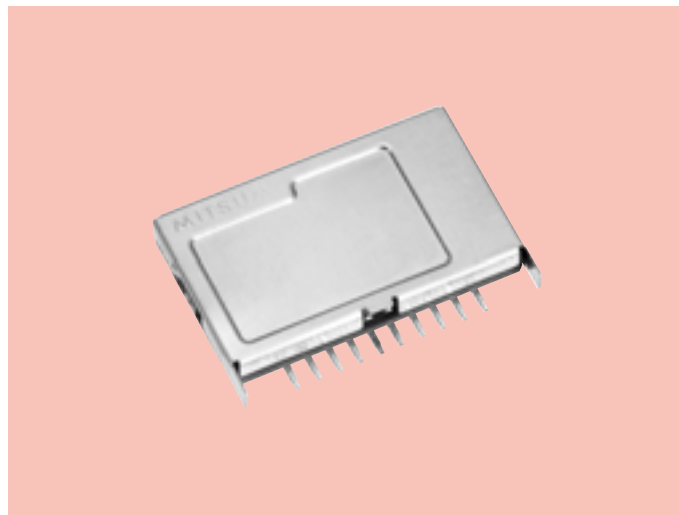
# Compact, AM/FM Electronic Tuner for Car Stereo

## FAEC36-A30

AM/FM Electronic Tuners

### FEATURES

1. Low-IF. For General Market.
2. Layout Free Tuner.
3. Can support Worldwide.
4. Perfect No Control Tuner that is built in PLL by I2C Control.
5. Variable bandwidth allows optimization of adjacent station/over-modulation.
6. Built in FM\_AM\_LNA. I/Q MIX, Low-IF.
7. Since EEPROM is not built-in, part of SET side ROM is used.

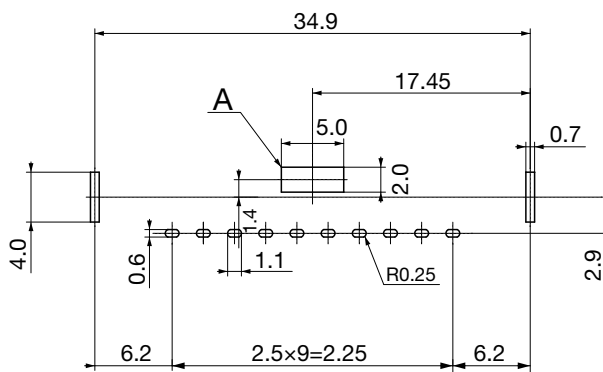
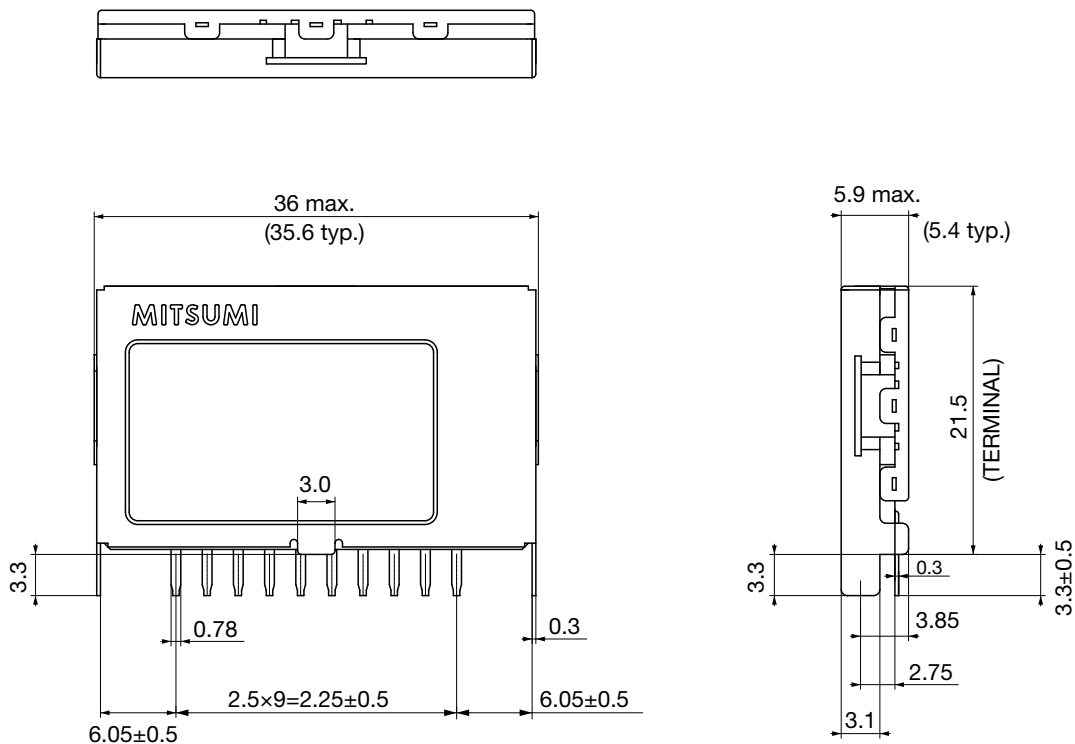


### SPECIFICATIONS

Item		FAEC36-A30
Supply Voltage		+3.3V
Current Consumption	FM	120mA typ.
	AM	40mA typ.
Tuning Range	FM	-
	AM	-
Input Impedance	FM	75Ω
	AM	50Ω
Center IF	FM	128kHz
	AM	
Usable Sensitivity	FM	5dBμ typ.
	AM	27dBμ typ.
Image Rejection	FM	50dB typ.
	AM	-
S/N Ratio	FM	Monaural 60dB min. (30% mod.) 47dB typ. (30% mod.)
	AM	
Output Level	FM	80±40 mVrms
	AM	60±40 mVrms
Separation	FM	FM : 30dB min.
	AM	-

\*Note Specifications subject to change without notice.

**DIMENSIONS**



TERMINAL HOLE LAYOUT  
(DIP SIDE)

REFERENCE ONLY

EXTERNAL TERMINALS	
1. FM/AM-ANT	6. SDA
2. GND	7. V <sub>DD</sub> (3.3V)
3. V <sub>DD</sub> (3.3V)	8. RCH
4. REST	9. LCH
5. SCL	10. INT

Unit : mm  
General Tolerance : ±0.3