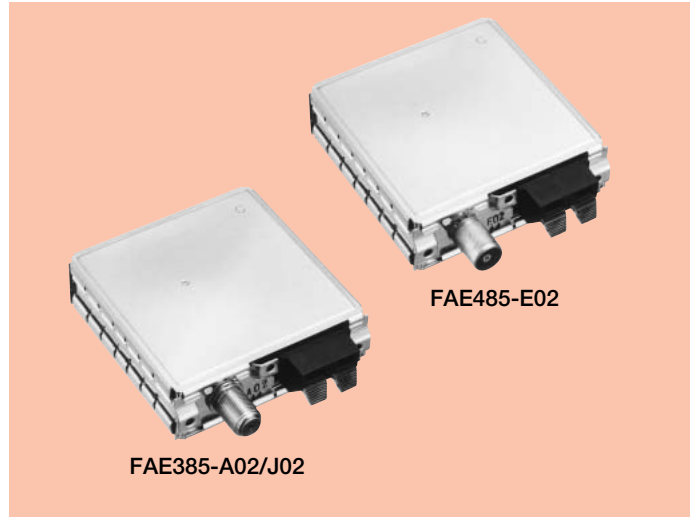


Compact, AM/FM Electronic Tuner for High Grade Class Home Stereo FAE385-A02/J02/FAE485-E02

AM/FM Electronic Tuners

FEATURES

1. Compact AM/FM combined tuner.
2. Applicable to home radio receivers and stereo units most suitably.
3. Detection, demodulation, and PLL circuits are provided.
4. Output connector correspond board to board or FFC.



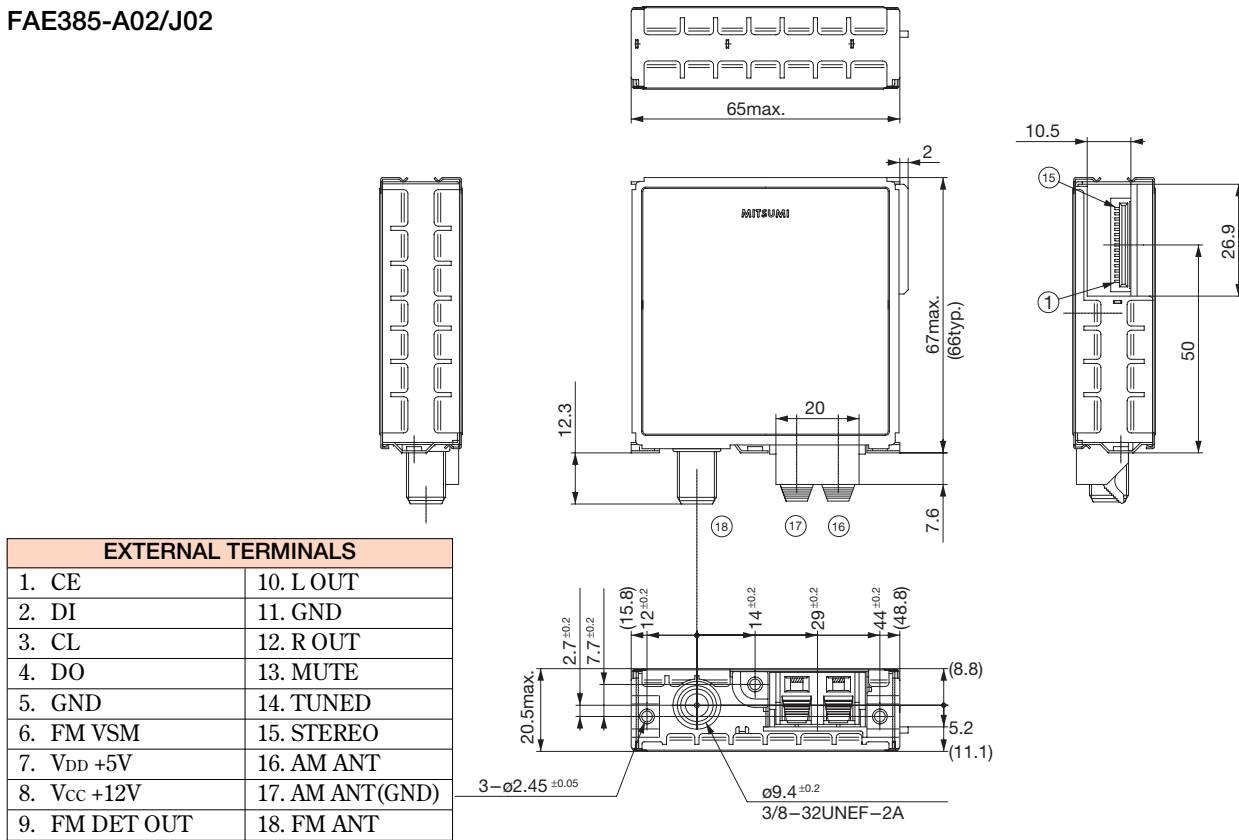
SPECIFICATIONS

Item		FAE385-A02	FAE385-J02	FAE485-E02
Supply Voltage		12V	12V	12V
Current Consumption		120mA max.	120mA max.	120mA max.
Tuning Range	FM	87.5~108MHz	76.0~108.0MHz	87.5~108.0MHz
	AM	530~1710kHz	522~1629kHz	522~1611kHz
Input Impedance	FM	75Ω	75Ω	75Ω
	AM	—	—	—
Center IF	FM	10.7MHz : Upper Heterodyne	10.7MHz : Lower Heterodyne	10.7MHz : Upper Heterodyne
	AM	450kHz : Upper Heterodyne	450kHz : Upper Heterodyne	450kHz : Upper Heterodyne
Usable Sensitivity	FM	24dBμV max. (S/N 50dB)	24dBμV max. (S/N 50dB)	24dBμV max. (S/N 50dB)
	AM	57dBμV max.	57dBμV max.	57dBμV max.
Image Rejection	FM	38dB min.	38dB min.	60dB min.
	AM	25dB min.	25dB min.	25dB min.
IF Rejection	FM	60dB min.	60dB min.	70dB min.
	AM	40dB min.	40dB min.	40dB min.
S/N Ratio	FM	67dB min. (mono)	67dB min. (mono)	67dB min. (mono)
	AM	43dB min.	43dB min.	43dB min.
Output Level	FM	550±150mV	550±150mV	750±200mV
	AM	150+75, -50mV	150+75, -50mV	150+75, -50mV
Separation	FM	30dB min. (19kHz L.P.F ON)	30dB min. (19kHz L.P.F ON)	30dB min. (19kHz L.P.F ON)
	AM	—	—	—

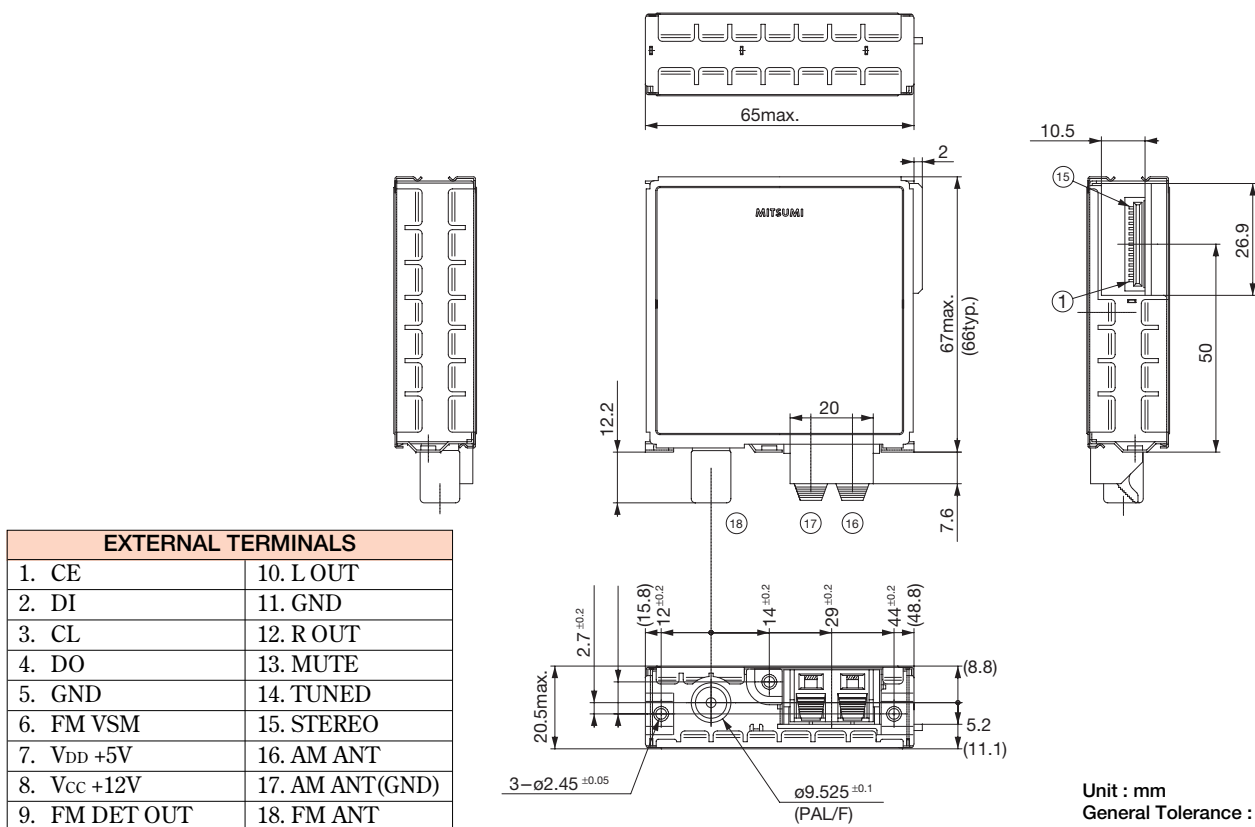
*Note Specifications subject to change without notice.

DIMENSIONS

FAE385-A02/J02



FAE485-E02



Unit : mm
General Tolerance : ±0.5