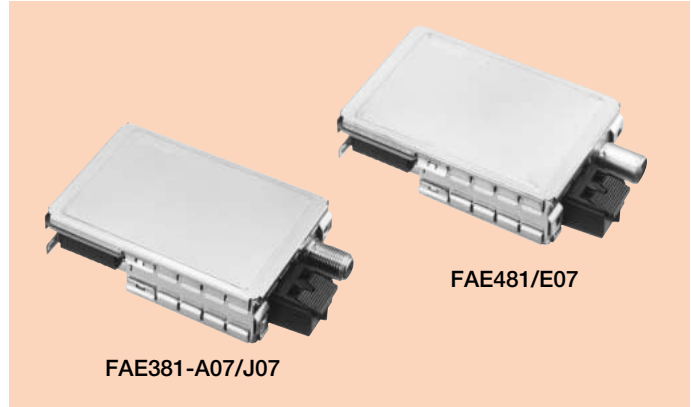


Compact, AM/FM Electronic Tuner for Popular Class Home Stereo FAE381-A07/J07/FAE481-E07

AM/FM Electronic Tuners

FEATURES

1. Compact, AM/FM combined tuner.
2. Applicable to home radio receivers and stereo units most suitably.
3. Detection, demodulation, and PLL circuits are provided.
4. Output connector correspond board to board or FFC.



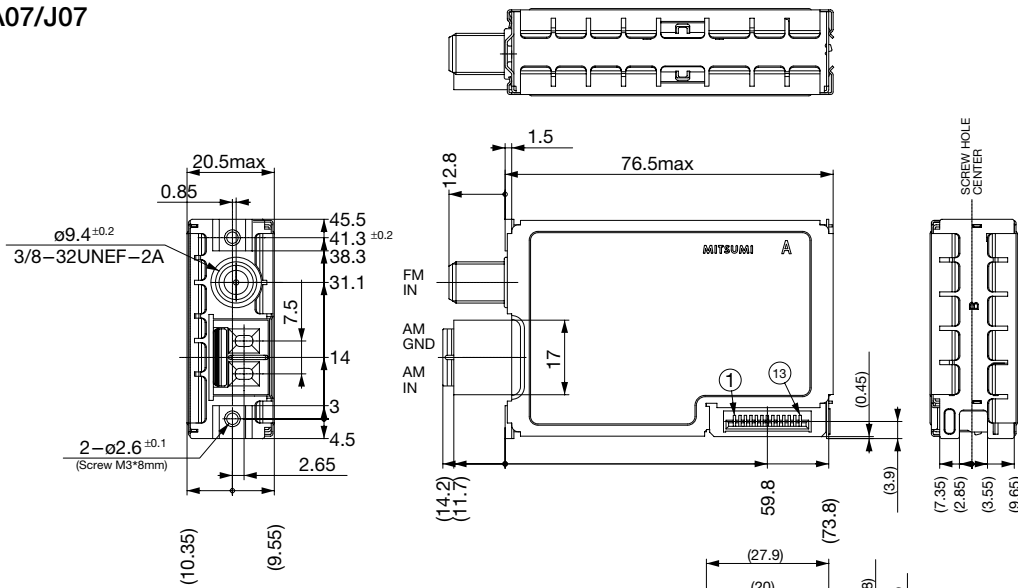
SPECIFICATIONS

Item		FAE381-A07	FAE381-J07	FAE481-E07
Supply Voltage		10V	10V	10V
Current Consumption	FM	85mA max. (No signal)	85mA max. (No signal)	85mA max. (No signal)
	AM	65mA max. (No signal)	65mA max. (No signal)	65mA max. (No signal)
Tuning Range	FM	87.5~108MHz	76.0~90MHz	87.5~108MHz
	AM	522~1710kHz	522~1629kHz	522~1629kHz
Input Impedance	FM	75Ω unbalanced	75Ω unbalanced	75Ω unbalanced
	AM	—	—	—
Center IF	FM	10.7MHz Upper Heterodyne	10.7MHz Lower Heterodyne	10.7MHz Upper Heterodyne
	AM	450kHz	450kHz	450kHz
Usable Sensitivity	FM	18dBμV max. (9dBμV typ.) S/N 50dB, at98MHz	18dBμV max. (9dBμV typ.) S/N 50dB, at83MHz	18dBμV max. (10dBμV typ.) S/N 50dB, at98MHz
	AM	60dB/m max. (53dB/m typ.) S/N 20dB, at999MHz	60dB/m max. (53dB/m typ.) S/N 20dB, at999MHz	60dB/m max. (55dB/m typ.) S/N 20dB, at999MHz
Image Rejection	FM	38dB min. (mono)	35dB min. (mono)	70dB min. (98.0MHz)
	AM	30dB min.	30dB min.	30dB min.
IF Rejection	FM	70dB min. (mono)	70dB min. (mono)	60dB min.
	AM	50dB min.	50dB min.	50dB min.
S/N Ratio	FM	68dB min. (mono)	68dB min. (mono)	68dB min. (mono)
	AM	42dB min.	42dB min.	42dB min.
Output Level	FM	570mVr.m.s min. 1120mVr.m.s max. (mono)	570mVr.m.s min. 1120mVr.m.s max. (mono)	570mVr.m.s min. 1120mVr.m.s max. (mono)
	AM	150mVr.m.s min.	150mVr.m.s min.	150mVr.m.s min.
Separation	FM	28dB min. (15kHz L.P.F ON)	28dB min. (15kHz L.P.F ON)	28dB min. (15kHz L.P.FON)
	AM	—	—	—

*Note Specifications subject to change without notice.

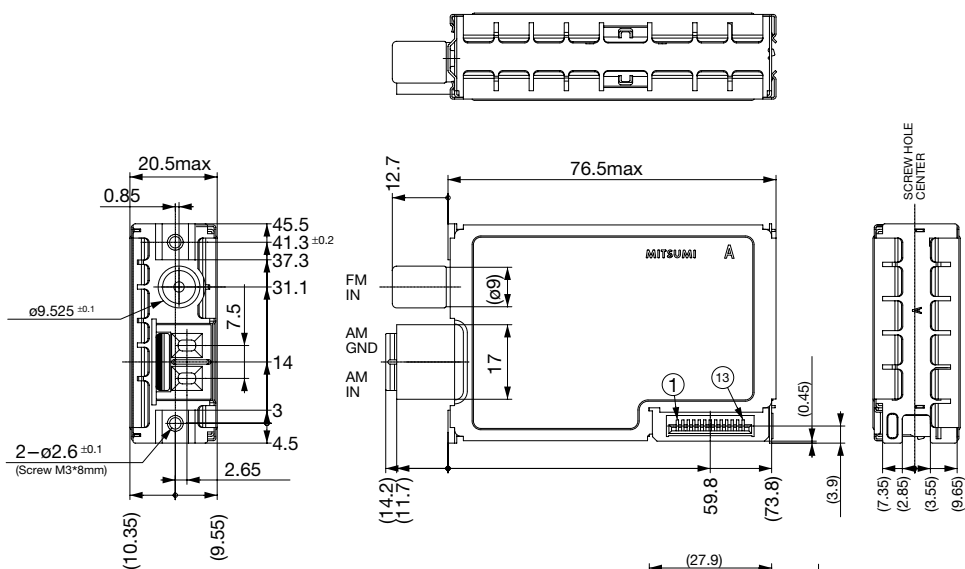
DIMENSIONS

FAE381-A07/J07



EXTERNAL TERMINALS	
1. NC	8. GND
2. NC	9. Rch OUT
3. +10V	10. DO
4. TUNED	11. CL
5. STEREO	12. DI
6. MUTE IF REQ	13. CE
7. Lch OUT	

FAE481-E07



EXTERNAL TERMINALS	
1. NC	8. GND
2. RDS	9. Rch OUT
3. +10V	10. DO
4. TUNED	11. CL
5. STEREO	12. DI
6. MUTE IF REQ	13. CE
7. Lch OUT	

Unit : mm
General Tolerance : ±0.5