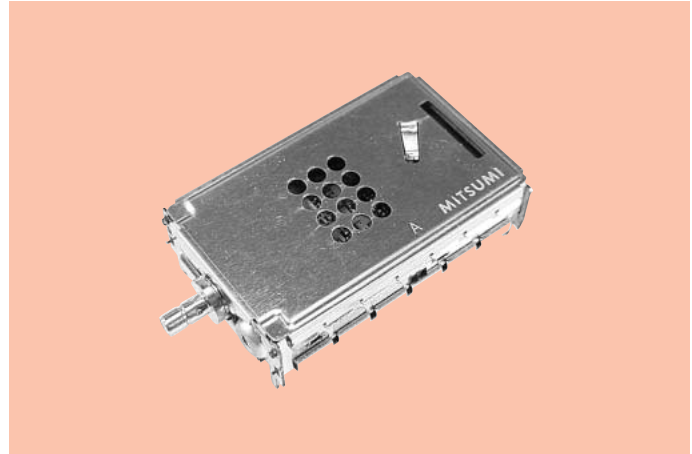


Eureka-147 Standard DAB Front End DAB7-E01

OUTLINE

DAB7-E01 was developed for use in car audio applications. Smaller size and low power consumption are achieved through use of RF1 chip IC. It can also be used in portable and home audio applications. It supports reception of two bands, band 3 and L-band.



FEATURES

1. 2.048MHz, 2nd IF output type. Supports output level up to 1.9Vpp.
2. Small size.
3. Lower power consumption; 570mW for band 3 reception, 607mW for L-band reception. (typ.)
4. Excellent adjoining disturbance character.
5. Another model is used in vertical configuration.

USES

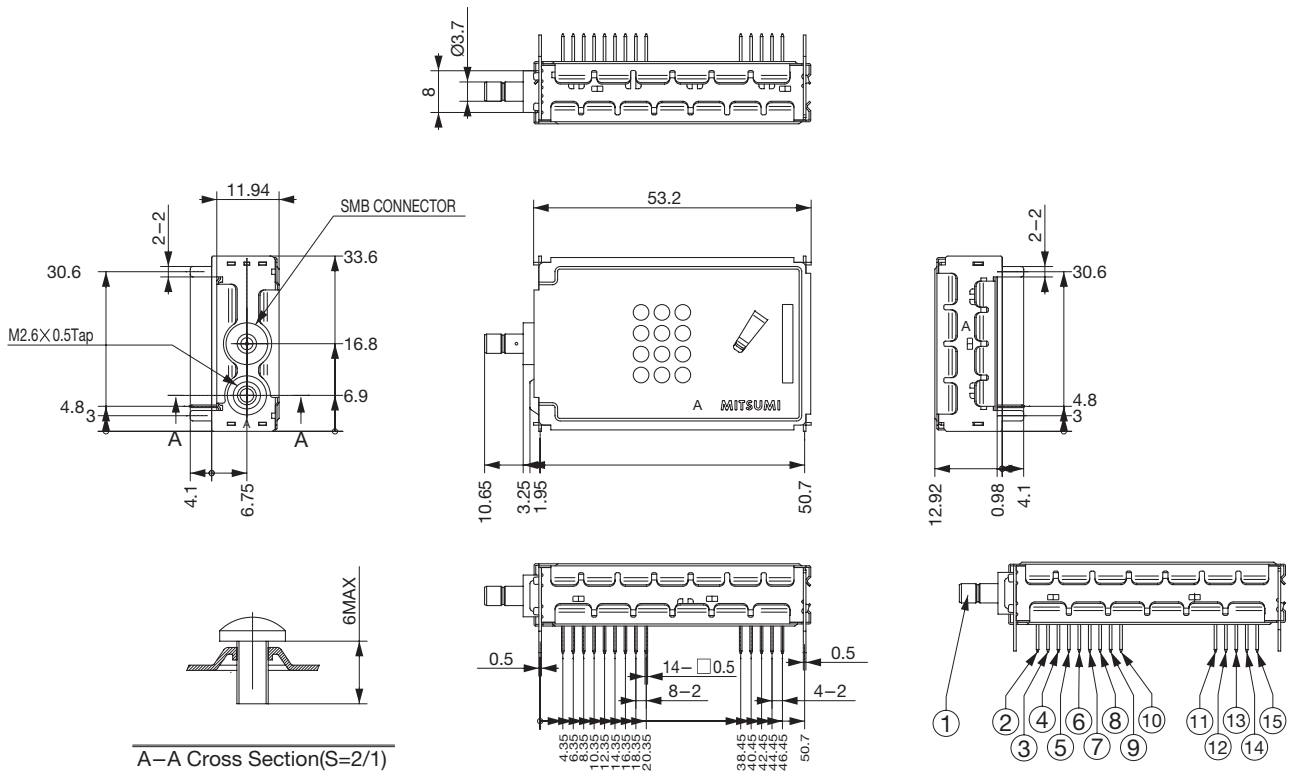
1. 2.048MHz, 2nd IF output type. Supports output level up to 1.9Vpp.
2. Small configuration.
3. Lower power consumption; 570mW for band 3 reception, 607mW for L-band reception. (Typ. Level)
4. Excellent adjacent interference characteristics.
5. Can be used in a vertical configuration.

SPECIFICATIONS

Item	DAB7-E01
Input Frequency	Band 3 : 174.928~239.2MHz L-Band : 1452.96~1490.624MHz
Input Impedance	50Ω
Maximum input level	0dBm
Minimum reception sensitivity	Band-3 : -98 dBm(typ.) L-Band : -95 dBm(typ.)
RF input pin	SMB Connector
Center IF	2.048MHz
Controller Bus Interface	I ² C
Power Supply Voltage	3.3V, 8.2V
Dimension	53.2×33.6×13.5(max.)

*Note Specifications subject to change without notice.

DIMENSIONS



A-A Cross Section(S=2/1)

EXTERNAL TERMINALS	
1. RF IN	9. CLOCK
2. AUX	10. L. Det.
3. AGC	11. IF
4. RST	12. IF AGC
5. GND	13. VC2
6. GND	14. GND
7. GND	15. VC3
8. DATA	

Unit : mm
General Tolerance : ±0.5