

Module for Digital Terrestrial 1seg Broadcasting Reception for Japan DVT7-J20D

Terrestrial Tuners, DBS 2nd RF Units

OUTLINE

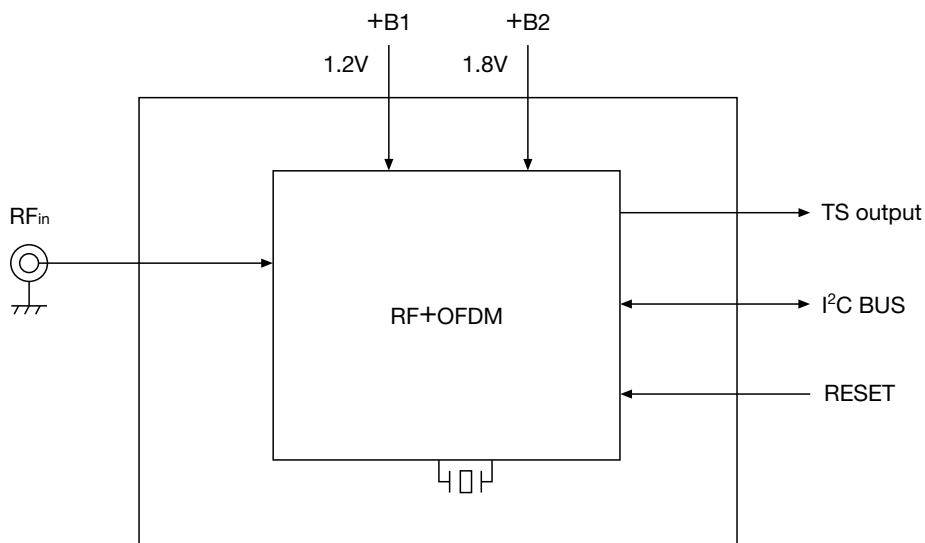
Developed as a module for domestic UHF 1seg reception.
RF unit, NIM type OFDM demodulation unit.



FEATURES

1. Small package with dimensions of 6.8×6.8×0.95mm. 56% (ratio of our company) of mounting area.
2. Integrated with RF+OFDM demodulation chip IC that supports superior mobile characteristics.
3. Superior characteristics for interference.
4. Exterior LNA restricts unnecessary sensitivity.

BLOCK DIAGRAM



Module for Digital Terrestrial 1seg Broadcasting Reception for Japan

SPECIFICATIONS

Item	Specifications
Receiving Frequency	470~770MHz (UHF 13~62Ch)
Input Impedance	50Ω
Maximum Input Level	+10dBm typ. (13 seg conversion)
Minimum Sensitivity	-98dBm typ. (13 seg conversion)
Return Loss	-7dB max.
Controller Bus Interface	I ² C BUS Control
Power Supply Voltage	1.8V, 1.2V
Output Data	Serial TS
Power Consumption	70mW typ. (When receiving the 1 seg broadcasting signal)
Dimension (Mounting area)	6.8 (W)×6.8 (D)×0.95 (H)mm

*Note Specifications subject to change without notice.

DIMENSIONS

