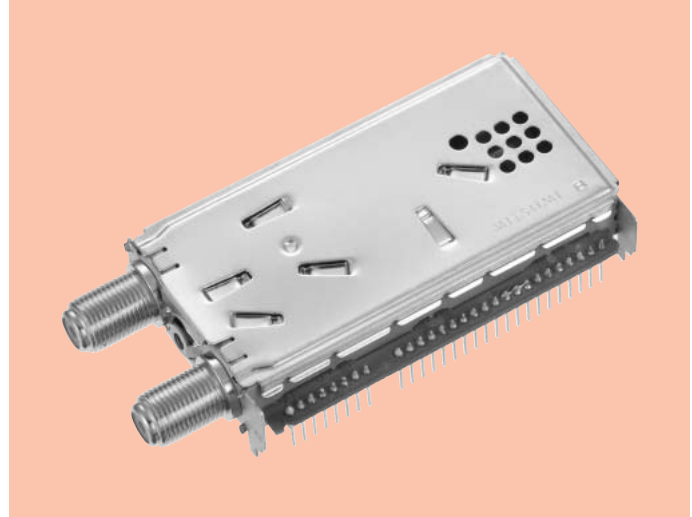


Tuner for Digital Terrestrial Broadcasting Receiver for Brazil DVT33-BR04DT

Terrestrial Tuners, DBS 2nd RF Units

OUTLINE

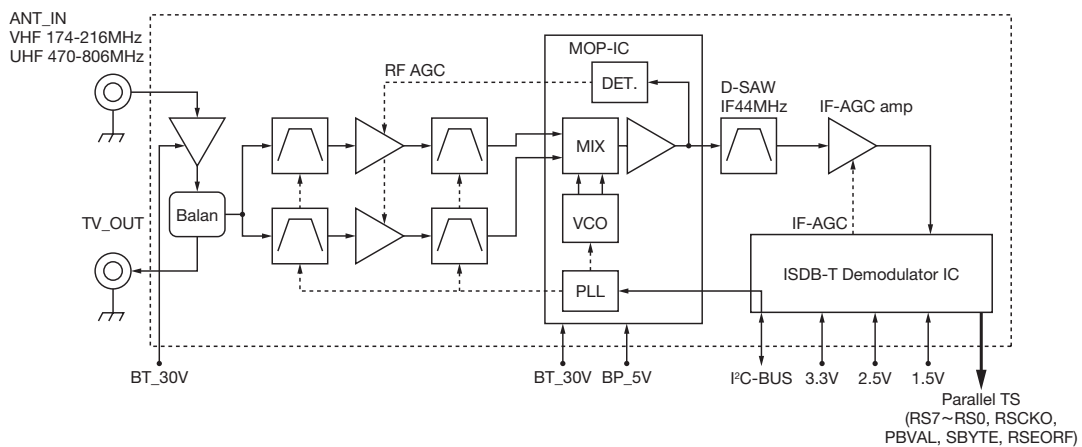
Tuner (upright model) for digital terrestrial broadcasting receiver of Brazilian specifications (ISDB-T system)
 Adopt high performance demodulation IC for higher sensitivity and better resistant to interferences
 Equipped with splitter and perfect for use in set top box (Receive frequencies are only for digital channels)
 With the Loop-through type splitter



FEATURES

1. Small upright tuner and support to receive the digital broadcasting frequencies (7~69ch).
2. High sensitivity.
3. Superior characteristics to reject interferences from adjacent channels.
4. Equipped with the Loop-through type splitter and perfect for use in the set top box.
5. TS output: Parallel MPEG.

BLOCK DIAGRAM



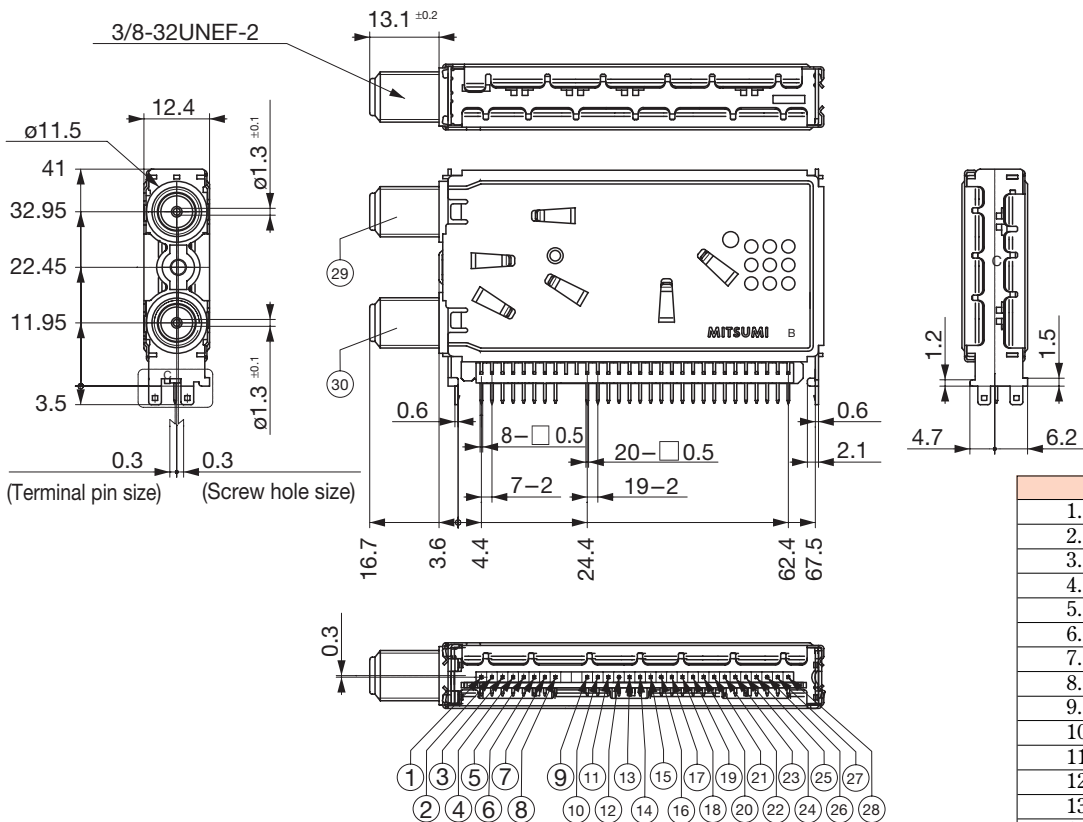
Tuner for Digital Terrestrial Broadcasting Receiver for Brazil

SPECIFICATIONS

Item	Specifications
Receiving Frequency	VHF: 174~216MHz, UHF: 470~806MHz
Input Impedance	75Ω
Maximum RF Input Level	-10dBm
Minimum Sensitivity	VHF/-70dBm, UHF/-75dBm
Adjacent ch. Rejection	D-TV into D-TV: N±1ch 33dB typ. A-TV into D-TV: N±1ch 36dB typ.
Controller Bus Interface	I ² C BUS Control
TS Output	Parallel MPEG
Power Supply Voltage	For RF: 5, 5, 30V / For digital: 3.3, 2.5, 1.5V
Dimension (Mounting area)	71.1 (W) × 41.0 (D) × 12.4 (H) mm
RF Input & Splitter Output Connector	F type connector ★2

*Note Specifications subject to change without notice.

DIMENSIONS



Terminals
1. BB (5V)
2. NC (RF_AGC)
3. BP (5V)
4. NC
5. BT (30V)
6. GND
7. NC
8. NC
9. NC
10. NC
11. NC
12. 2.5V
13. GND
14. 3.3V
15. 1.5V
16. RESET
17. RSEORF
18. NC (STSFLG1)
19. NC (STSFLG0)
20. ADRSEL
21. SBYTE
22. PIVAL
23. SRDT
24. SRCK
25. GND
26. NC
27. SDA
28. SCL
29. ANT_IN
30. TV_OUT

Unit : mm
General Tolerance : ±0.5mm

*For the technical details of the products in this page, please refer to Marketing & Engineering Div., AVC Business Div., Network Devices Business HQ. 046-230-3480.