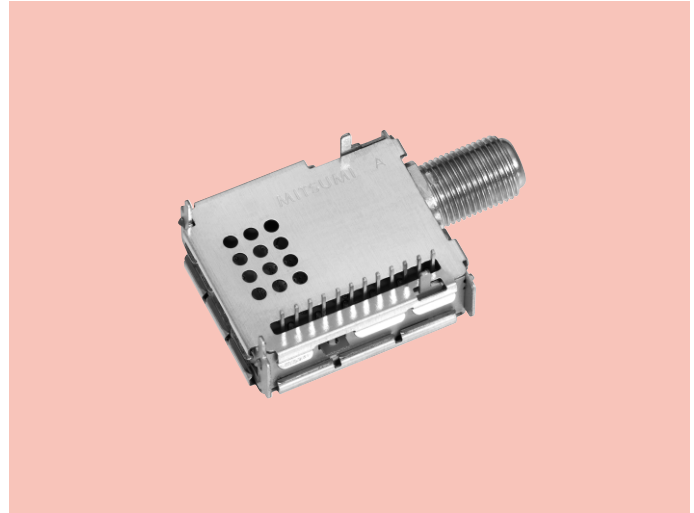


Half-nim Tuner for Digital Terrestrial Broadcasting Receiver for World wide DVT18-W05A

Terrestrial Tuners, DBS 2nd RF Units

OUTLINE

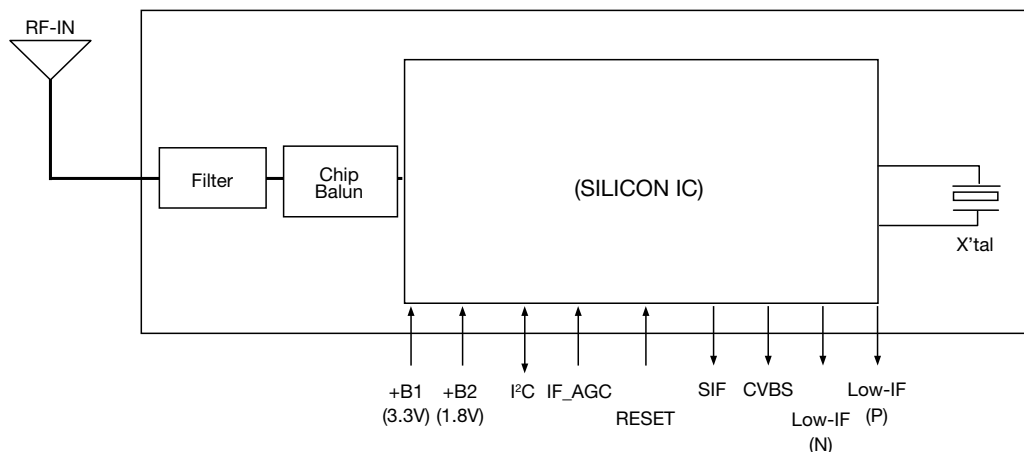
This is Half-nim tuner for digital terrestrial broadcasting receiver for World wide. highly sensitive and compact integrated tuner for Japan that supports the conventional terrestrial.



FEATURES

1. Half-nim Integrated Silicon Tuner for Digital Terrestrial Broadcasting Receiver for World wide.
2. Performance either equaling or surpassing that of the conventional superior silicon tuner.
3. Less Variability in performance thanks to no adjustment to be made.
4. Dimensions : 32(W)×28(D)×10(H)mm
5. Broadcast system of each country can be supported if the IC for the Japanese system is replaced with the software used in this tuner.

BLOCK DIAGRAM

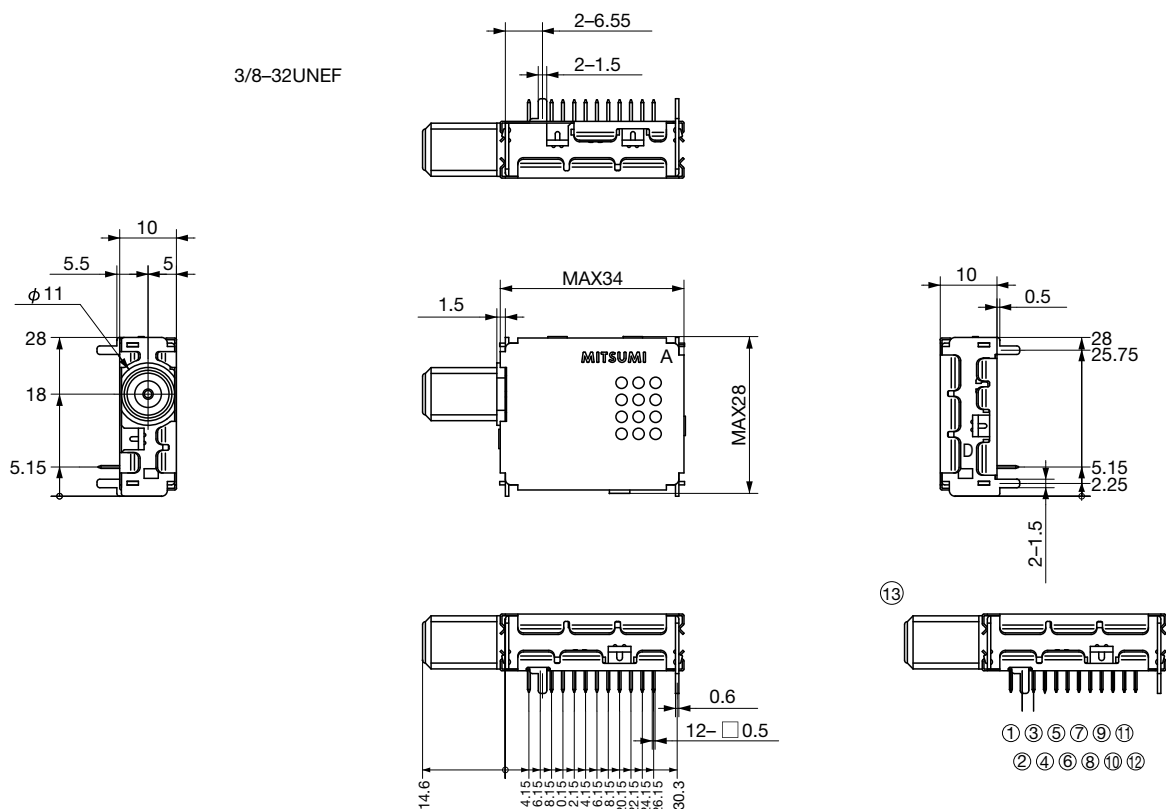


Half-nim Tuner for Digital Terrestrial Broadcasting Receiver for World wide

SPECIFICATIONS

Item	Specifications
Receiving Frequency	42MHz to 864MHz VHF-L: 50.5-156.5MHz; VHF-H: 163.5-442MHz; UHF: 450-858MHz
Input Level	+10~-80dBm (typ.)
IF Output Level	0.5Vp-p (typ.)
	1.8V, 3.3V Total typ 0.94W
Controller Bus Interface	I ² C BUS Control
Dimension (Mounting area)	32.0 (W) × 28.0 (D) × 10.0 (H) mm

DIMENSIONS



Terminals
1. +3.3V
2. +1.8V
3. IF-AGC
4. RSTB
5. SCL
6. SDA
7. GND
8. SIF/AF
9. CVBS
10. GND
11. IFON
12. IFOP

* For the technical details of the products in this page, please refer to Marketing & Engineering Div., AVC Business Div., Network Business HQ.046-230-3480.