

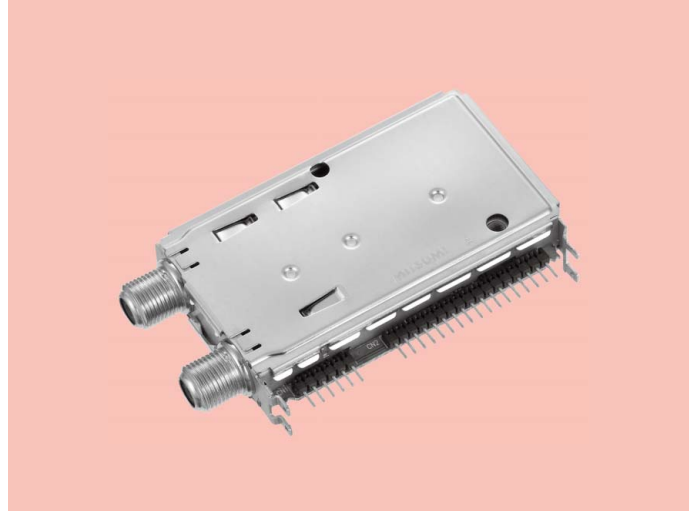
DMT35-J01A/J03

Terrestrial Tuners, DBS 2nd RF Units

OUTLINE

This tuner is compatible with Japanese domestic specifications for Digital terrestrial (ISDB-T), Analog, and BS digital/110-degree CS digital (ISDB-S) broadcasts.

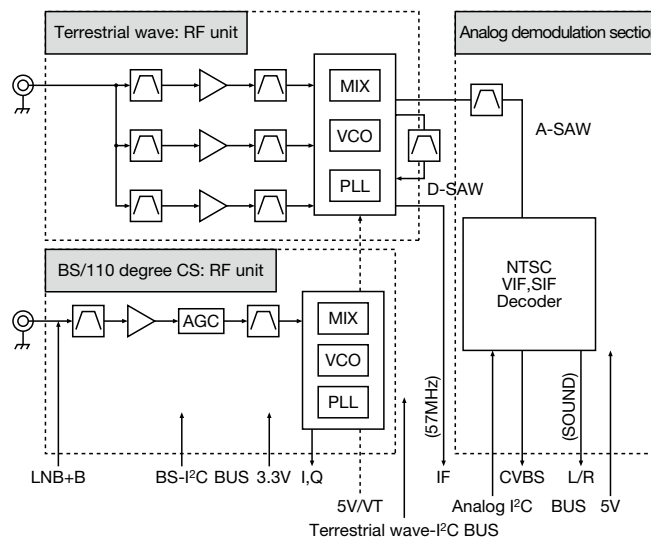
The tuner is a compact half-NIM tuner featuring high sensitivity and superior anti-jamming properties against various interferences and it has an integrated analog demodulation IC that supports sound multiplex broadcasting.



FEATURES

1. High sensitivity that supports ISDB-T and ISDB-S, and high C/N margin characteristics.
2. Integrated analog demodulation circuit that supports sound multiplex broadcasting (DMT35-J01A).
3. With SAW filter and IFAGC amplifier integrated, the tuner can be connected directly to a variety of digital demodulation IC.
4. Combined with the special design distributor, the tuner can be integrated in TV, recorder, special receiver (STB), etc.
5. Can receive terrestrial and satellite broadcastings at the same time.
6. The type, DMT35-J03 that does not have an analog demodulation circuit is available.

BLOCK DIAGRAM

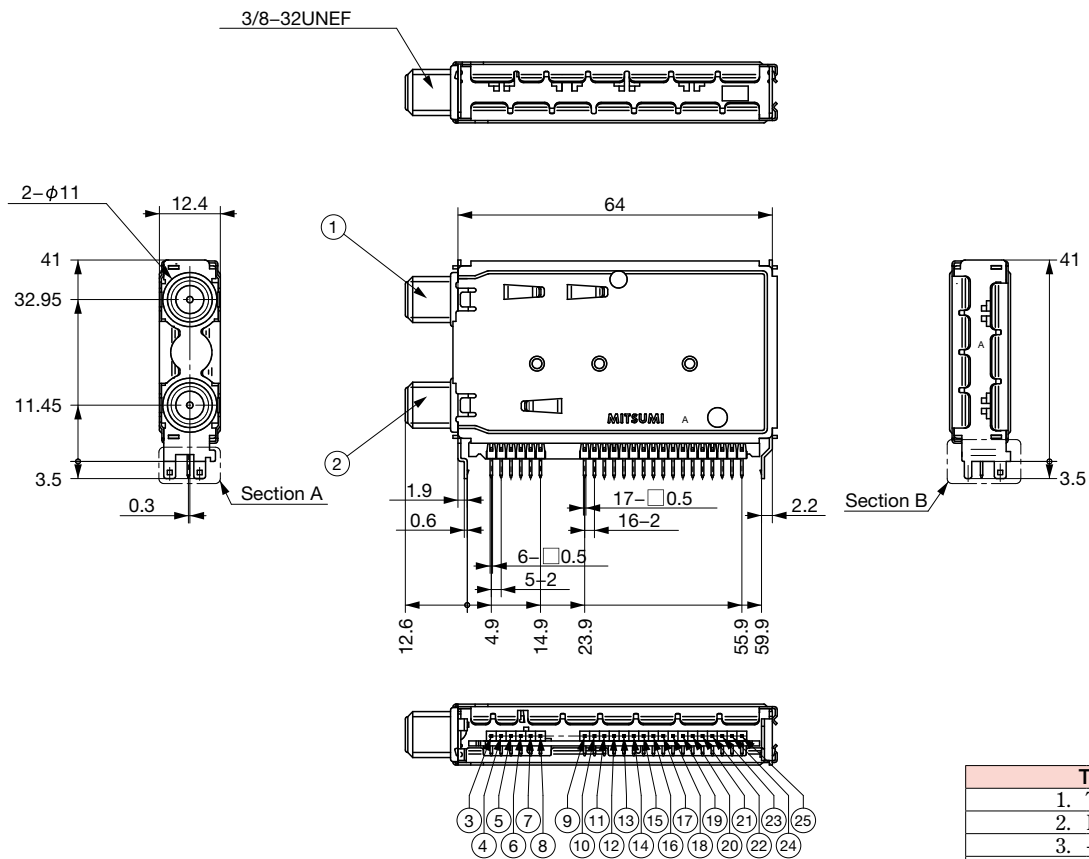


Integrated Half-nim Tuner for Digital Terrestrial/BS/110 Degree CS Broadcasting Receiver for Japan

SPECIFICATIONS

Item	Specifications
Receiving Frequency	OFDM : VHF/UHF/CATV 90~770MHz PSK : 950~2150MHz
Input Level	OFDM : -20~-75dBm PSK : -25~-65dBm
IF Frequency	OFDM : 57MHz, PSK : Zero-IF
Base Band Band-Width	PSK : 22.5MHz (I/Q OUT L.P.F. cutoff frequency)
Controller Bus Interface	I ² C BUS Control
Dimension (Mounting area)	64 (W) × 41 (D) × 12.4 (H)mm

DIMENSIONS



Terminals
1. TV IN
2. BS/CS IN
3. +B1 (LNB+B)
4. +B2 (BB)
5. +B3 (3.3V)
6. +B4 (VT)
7. IQ-AGC
8. ADR-SEL
9. SSDA
10. SSCL
11. I-OUT
12. Q-OUT
13. TSDA
14. TSCL
15. +B5 (5V)
16. IF-AGC
17. IF-P
18. IF-N
19. AFT
20. VIDEO
21. AUDIO-L
22. AUDIO-R
23. ASCL
24. ASDA
25. +B6 (5V)