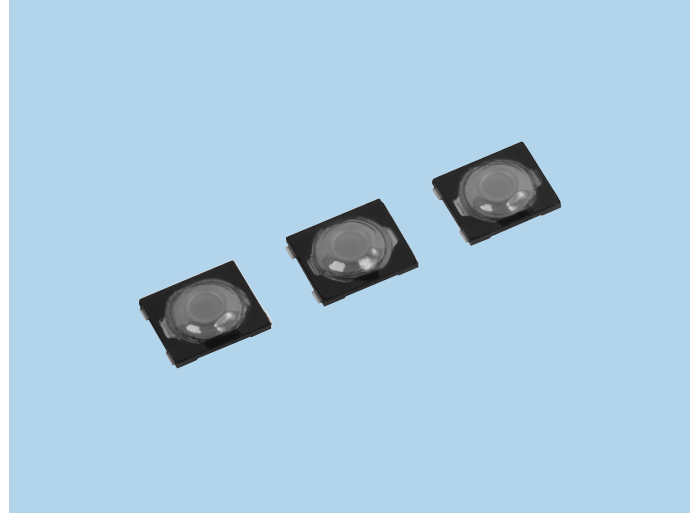


# Small Type Tactile Switches STC Series

## FEATURES

1. Ultra small size. (3.0×2.6mm)
2. Good feeling with the actuator.
3. High reliability with the small, thin, and dustproof design.

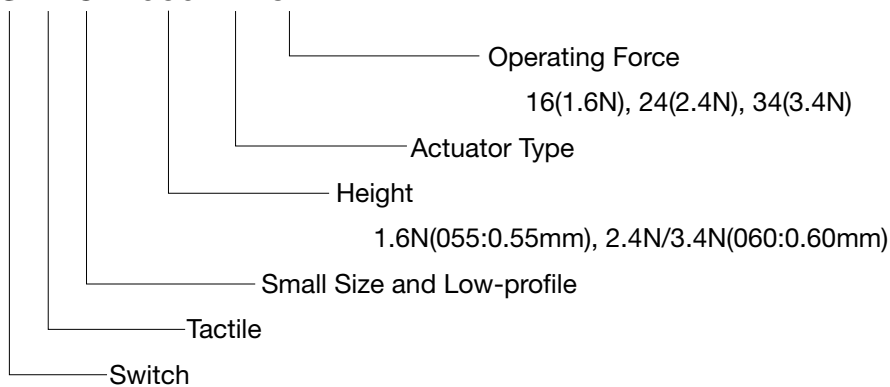


## APPLICATIONS

Mobile Phones, Smartphones, Digital Cameras, Game Machines and etc.

## MODEL NAME CODE

S T C - 060 A 34 XX



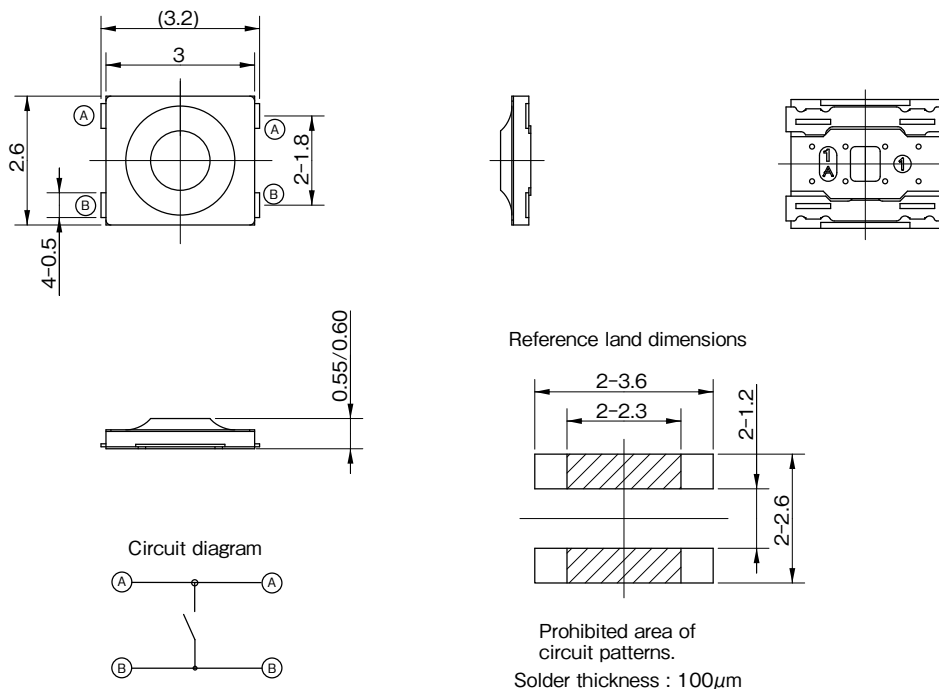
## SPECIFICATIONS

Electrical Characteristics	Rating (Resistive load)	DC15V, 20mA
	Contact Resistance	1Ω or less
	Insulation Resistance	10MΩ or more
	Withstand Voltage	1 minute at AC 100V
Life	STC-060A34XX, STC-055A16XX	100,000 times
	STC-060A24XX	500,000 times

## TYPE

Model Name Code	Model Name	Operating Force	Boss	Pcs/Reel
STC-055A16XX	R 667756	1.6N	Without	10,000
STC-060A24XX	R 667742	2.4N	Without	10,000
STC-060A34XX	R 667617	3.4N	Without	10,000

## DIMENSIONS



Unit: mm