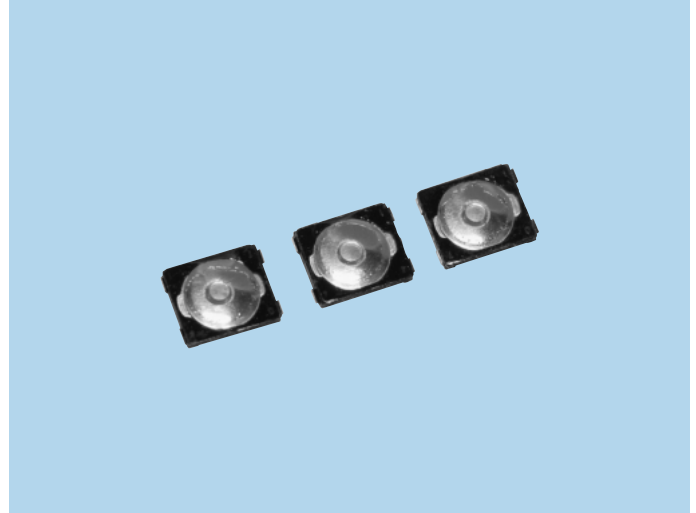


Ultra-Small Type Tactile Switches SOM Series

FEATURES

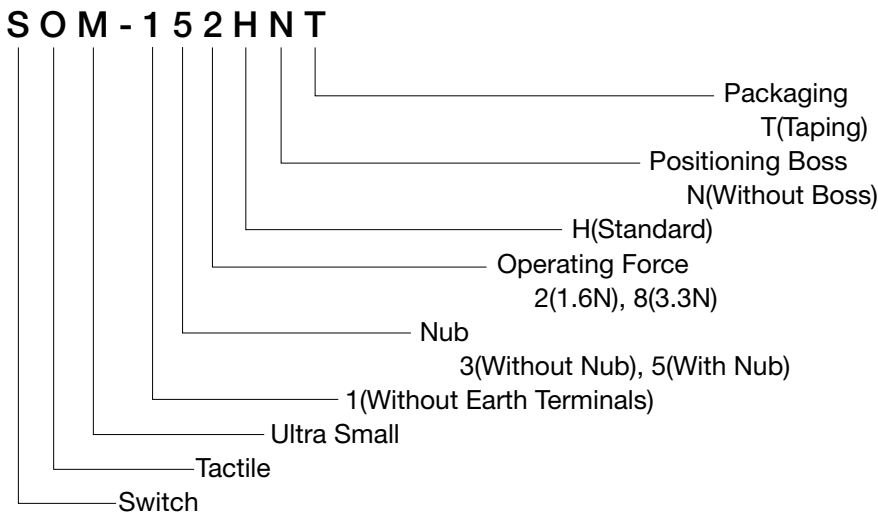
1. Ultra-small tactile switch with Nub and surface area reduced by 60% in comparison with previous model.
2. Coplanarity of 0.1mm max. guaranteed.
3. Stainless steel metal dome realizes superior feeling.
4. Suitable for SMT reflow soldering.



APPLICATIONS

For any portable devices, mobile phones, DSCs, portable music players, etc.

MODEL NAME CODE



SPECIFICATIONS

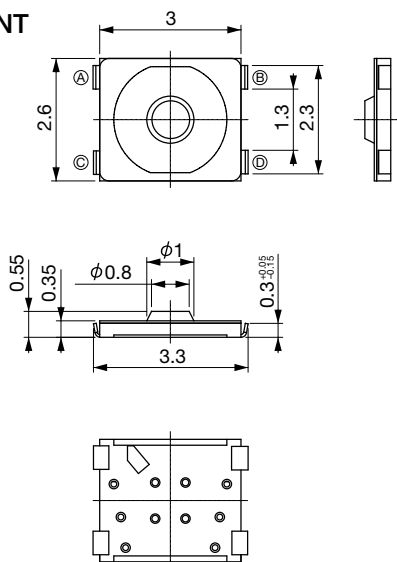
| | | |
|----------------------------|-----------------------|-------------------------------|
| Electrical Characteristics | Rating | DC15V, 20mA (Resistance load) |
| | Contact Resistance | 500mΩ or less |
| | Insulation Resistance | 50MΩ or more |
| | Withstand Voltage | 1 minute at 100V AC |

TYPE

| Model Name Code | R Number | Dimensions/Height | Features | Operating Force | Life | Pcs/Reel |
|-----------------|----------|-------------------|-------------------------|-----------------|---------|----------|
| SOM-152HNT | R66 7132 | 3.0x2.6 h=0.55 | With Nub | 1.6N | 100,000 | 10,000 |
| SOM-132HNT | R66 7133 | 3.0x2.6 h=0.35 | Without Nub | 1.6N | 100,000 | 10,000 |
| SOM-158HNT | R66 7134 | 3.0x2.6 h=0.60 | With Nub, Double Spring | 3.3N | 100,000 | 10,000 |

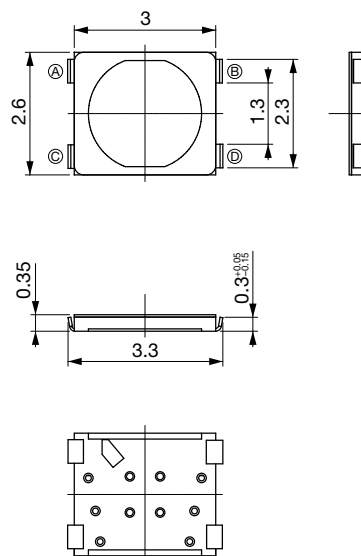
DIMENSIONS

SOM-152HNT



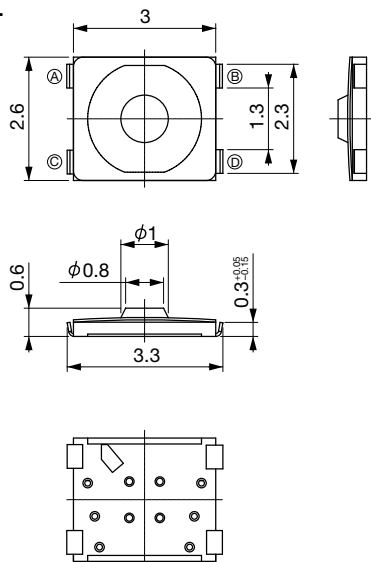
Unit:mm

SOM-132HNT



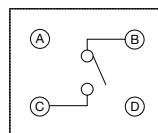
Unit:mm

SOM-158HNT



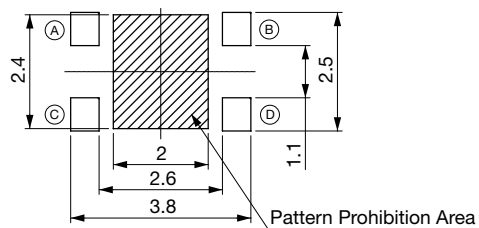
Unit:mm

Circuit Diagram



There is no connection between A and B, nor between C and D in the switch.

Reference Land Dimensions (TOLERANCE ±0.05)



Connect the board pattern to lands B and C and not to lands A and D.