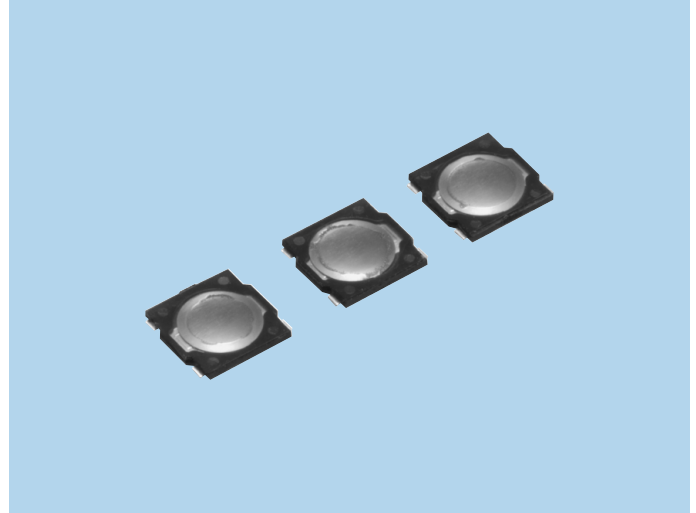


Small Type Tactile Switches SOG Series

FEATURES

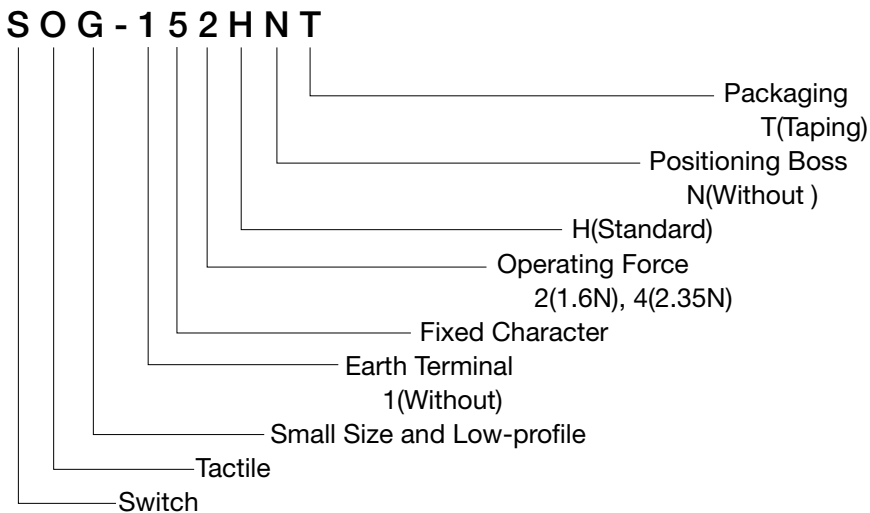
1. Original terminal structure reduces the mounting area.
2. High reliability thanks to the dustproof design.
3. Good feeling from the wider pressing range.



APPLICATIONS

Mobile Phones, Smartphones, Digital Cameras, Game Machines and etc.

MODEL NAME CODE



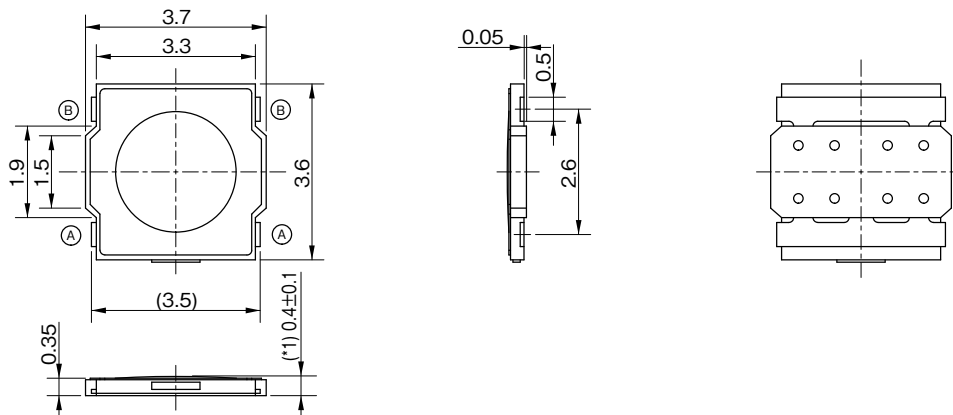
SPECIFICATIONS

Electrical Characteristics	Rating (Resistive load)	DC15V, 20mA
	Contact Resistance	1Ω or less
	Insulation Resistance	10MΩ or more
	Withstand Voltage	1 minute at AC 100V
Life	SOG-152HNT	1,000,000 times
	SOG-154HNT	500,000 times

TYPE

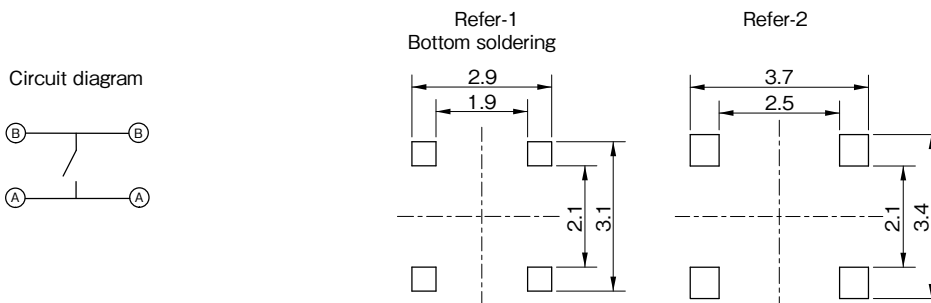
Model Name Code	Model Name	Operating Force	Boss	Pcs/Reel
SOG-152HNT	R 667833	1.6N	Without	10,000
SOG-154HNT	R 667836	2.35N	Without	10,000

DIMENSIONS



(*1) This switch height shall be measured with applying 15 gram load.

Reference land dimensions



Unit: mm