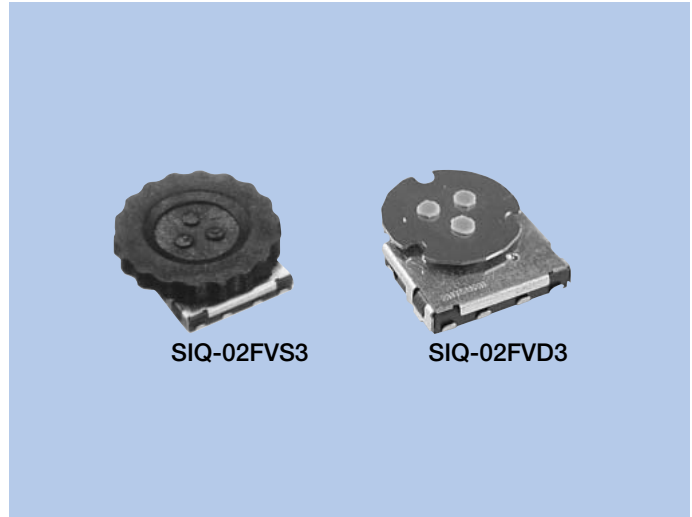


Slide and Rotary Encoder Switches SIQ Series

FEATURES

1. Minimized mounting area (11.1x10mm square).
2. 15 detent are available.
3. Can be operated with a rotary encoder and slide switch combined.
4. Multiple input type combined with a rotary encoder and slide switch. For example of using menu selection switch and determination switch.
5. Without-dial type to avoid discoloration of dial in reflow is also available.
6. Suitable for SMT reflow soldering.
7. For without-dial type, you can attach customized dial after reflow.

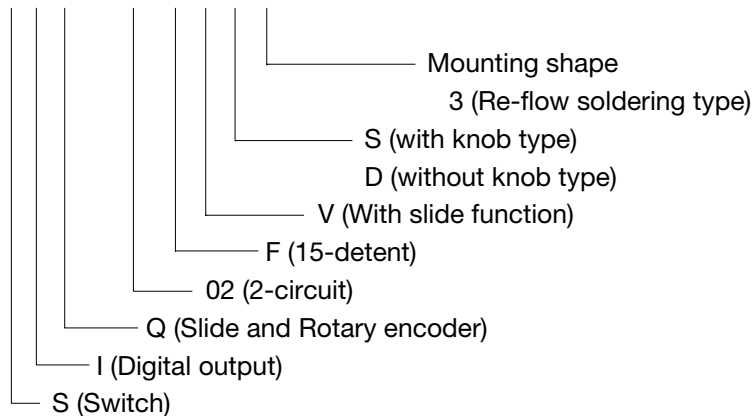


APPLICATIONS

1. For PDAs, DSCs, CD-MD players, other portable devices

MODEL NAME CODE

S I Q - 0 2 F V S 3



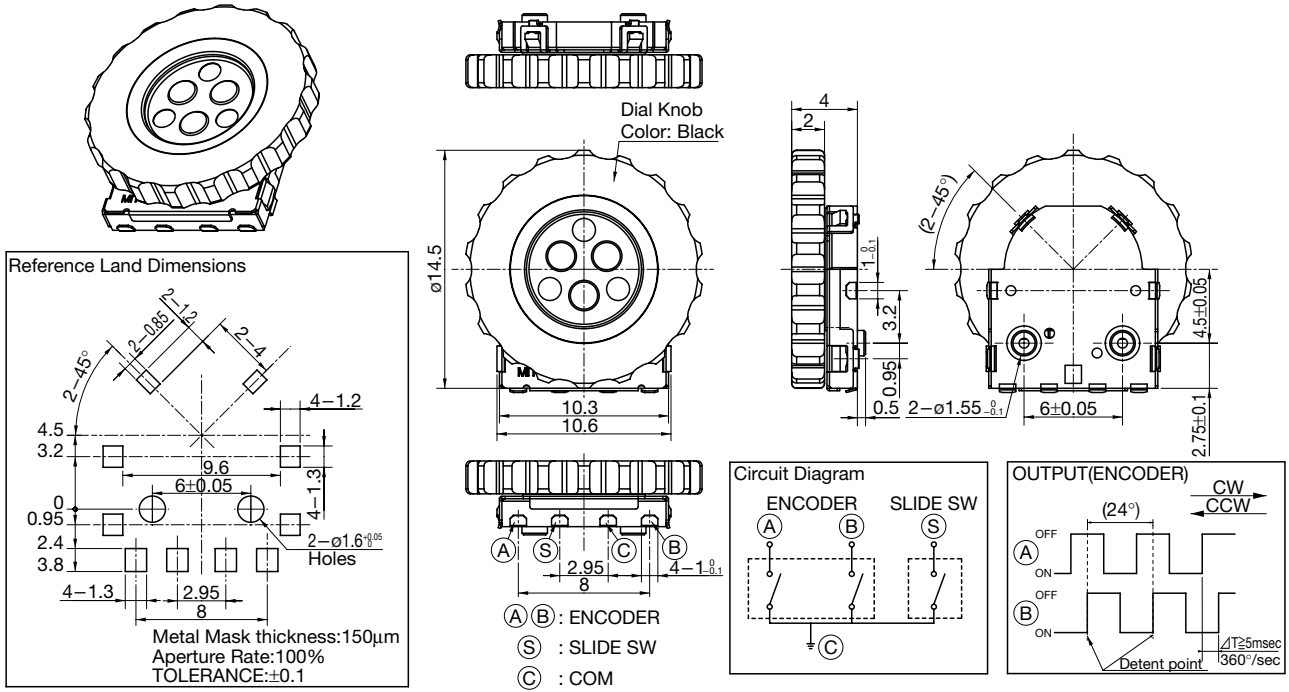
TYPE

| Model Name Code | Order Number | No. of Detent | Rotational Torque | Pcs |
|-----------------|--------------|---------------|-------------------|------|
| SIQ-02FVS3 | R66 6557 | 15 | 1~10mN · m | 500 |
| SIQ-02FVD3 | R66 6861 | 15 | 1~10mN · m | 1000 |

SPECIFICATIONS

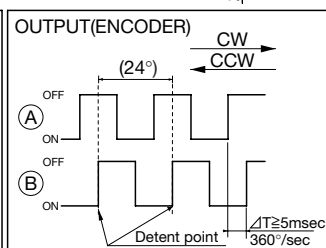
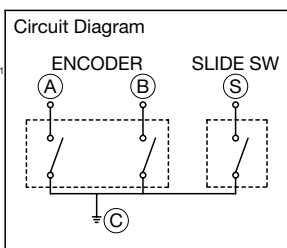
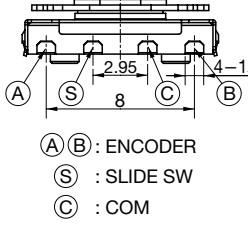
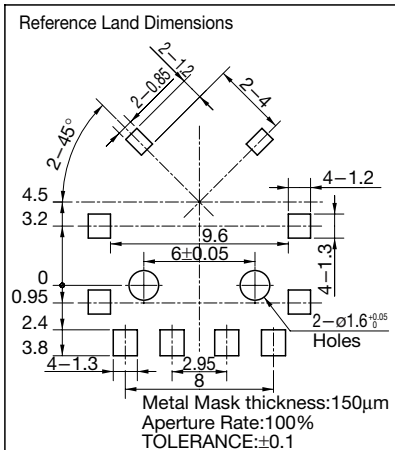
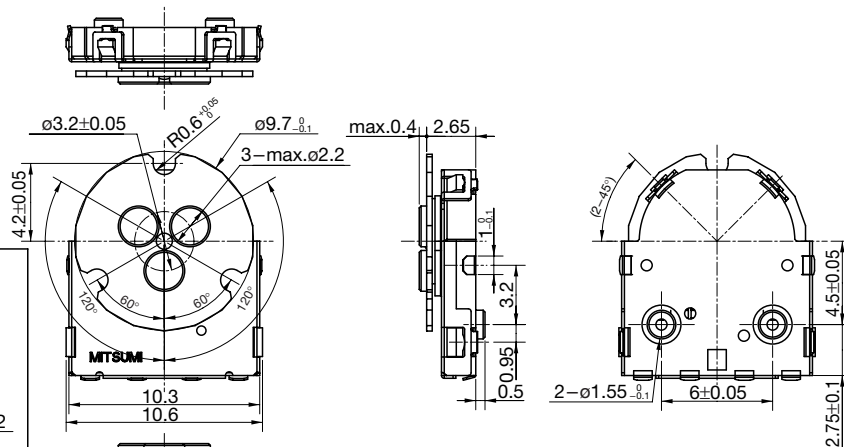
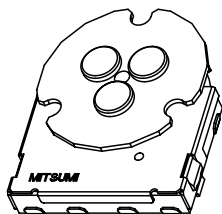
| | | |
|-----------------|--------------------|---|
| Electrical | Rating | 10mA, 5V DC |
| Characteristics | Contact Resistance | 1Ω or less |
| Mechanical | Operating Force | 2~6N (Slide) |
| Characteristics | Rotational Torque | 1~10mN · m (Rotary encoder) |
| | Life | 50,000 cycles (Slide) 50,000 cycles (Rotary encoder) |

DIMENSIONS



SIQ-02FVS3

Unit : mm



SIQ-02FVD3

Unit : mm