

Super compact RF Modulators for VCR MDF33-UMP30A

Terrestrial Tuners, RF Modulators

OUTLINE

MDF33-UMP30A booster-incorporated RF modulator is functionally designed by taking the digital STB design into account. Its RF output can be set to optional channels out of CCIR 21~69 channels by mean of I²C control.



FEATURES

1. UHF output applies to 21-69 channels by means of I²C control (Video, AM negative modulation).
2. Conforms to CENELEC.
3. Applicable to 3 voice (G/I/K) electrical switches.
4. TSG is built in (I²C control).
5. Subminiaturized high-performance type.

SPECIFICATIONS

Booster Section : BST, Freq. Range 47~862MHz

Item	Specifications	
	MDF33-UMP30A	
Supply Voltage	5V	
Current Consumption	50mA (40mA typ.)	
Gain	ANT IN	0~6dB (3dB typ.)
V.S.W.R.	ANT IN	3 max. (2.2 typ.)

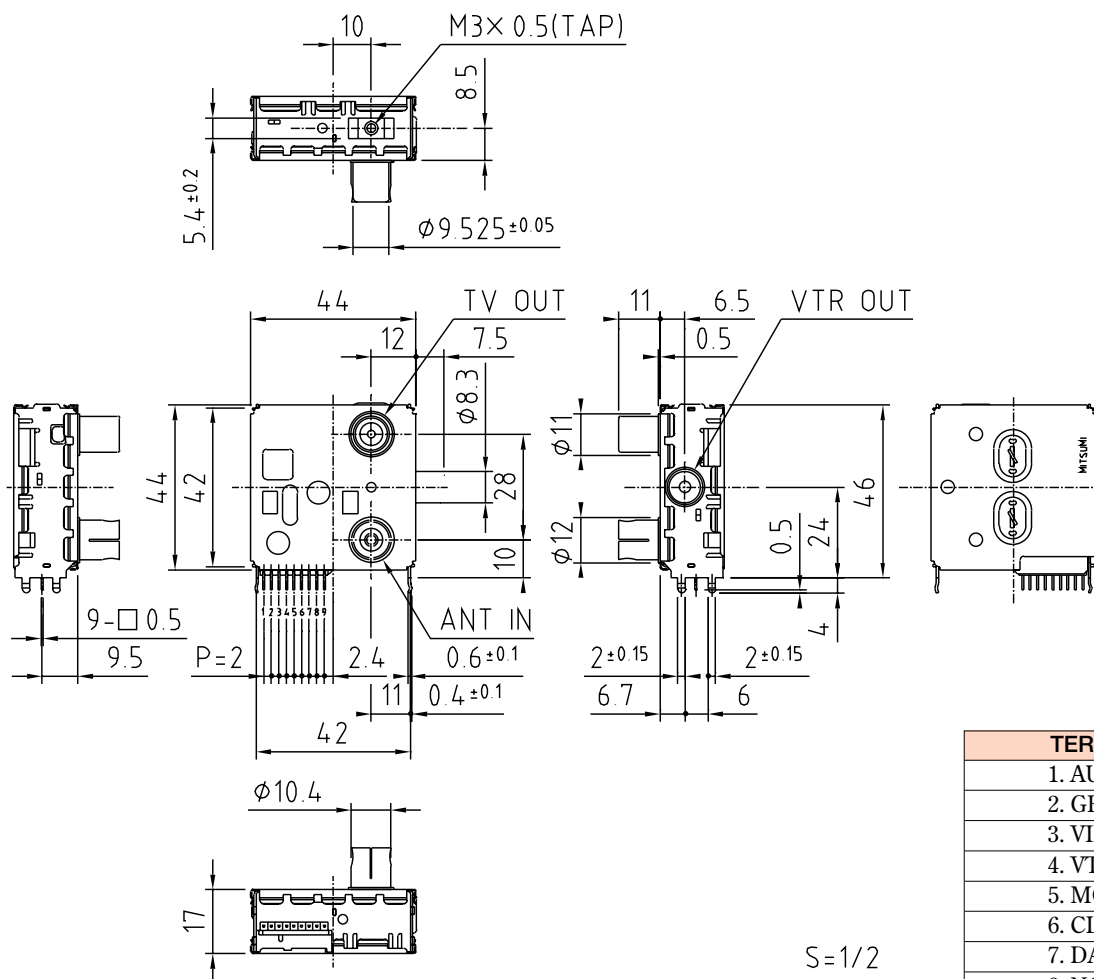
Modulator Section

Item	Specifications	
	G-PAL	I-PAL
Supply Voltage/Tuning Voltage	5V/33V	
Current Consumption/Tuning Current	70mA (60mA typ.)/3mA (1.5mA typ.)	
Video Carrier Frequency	CCIR21~69ch, 471.25~855.25MHz (±100kHz)	
Audio Sub-Carrier Frequency	5,500±0.005MHz	6,000±0.005MHz
Video Carrier Output Level	64~72dBμ (68dBμ typ.)	
Video to Audio Level Ratio	14~20dBμ (17dBμ typ.)	
Video Input Level	1Vp-p	
Video Modulation	80±7%	
Audio Input Level	0.5Vrms (1.41Vp-p)	
Audio Modulation	50±15%	

*Specifications may be changed without notice.

DIMENSIONS

Unit : mm, General tolerance : ±0.5



TERMINALS
1. AUDIO IN
2. GROUND
3. VIDEO IN
4. VT
5. MOD+B
6. CLOCK
7. DATA
8. NC
9. BST+B

S=1/2