

Power Supply Unit for LED Lighting (Compliant to the higher harmonic current regulation) PSU-LED (A Type) Series

Adaptors, Chargers/Switching Power Supplies

OUTLINE

Support long life required for LED lighting and Compliant to the higher harmonic current regulation. Equipped with a simple lighting control function with one volume control knob.



FEATURES

1. Standard product lineup to meet output and current specifications.
(Four types of products for AC100V input and AC240V input)
2. Constant current drive type.
3. Compliant to the higher harmonic current regulation, IEC61000-3-2.
4. Designed in compliance with UL1310, Japan electrical appliance and material safety law.
5. High efficiency. (> 70~85%)
6. Primary and secondary side isolation structure.
7. Long life: More than 50,000 hours. (@ Ta=50°C)
8. Slim design to allow all products to enter into the 70mm øhole.
9. Equipped with an AC input terminal board.
10. With mounting holes (M4) for easy fixing of the unit.
11. Simple lighting control function with external volume resistance.

SPECIFICATIONS

| Item | Specifications |
|---|--|
| Operation Temperature Range | 0~50°C |
| Storage Temperature Range | -20~60°C |
| External Volume Control Knob for Lighting Control | 100kΩ, 10A (EIAJ standard) |
| Input Voltage Rating | 100V Specification: AC100 120V, 200V Specification: AC220 / 240V |
| Input Frequency | 50/60Hz |
| Rated Load | Refer to Product Lineup Table (next page) |
| Output Current Rating | Refer to Product Lineup Table (next page) |
| Output Current Accuracy | Rated current ±10% |
| Output Current Ripple | Output current×50%o-p or less |
| Lighting Control Range | 0 to Rated output current |
| Higher Harmonic Current Regulation | Complainant to IEC61000-3-2 |
| EMC Noise | Compliment to CISPR Class B |
| Life | 50,000 H or more |
| Efficiency | 70~85% (Subject to change depending on output voltage / output current specification) |

USES

Can be applicable to LED lighting and indicator such as down light, toilet rack light, and foot light.

Product Lineup Table

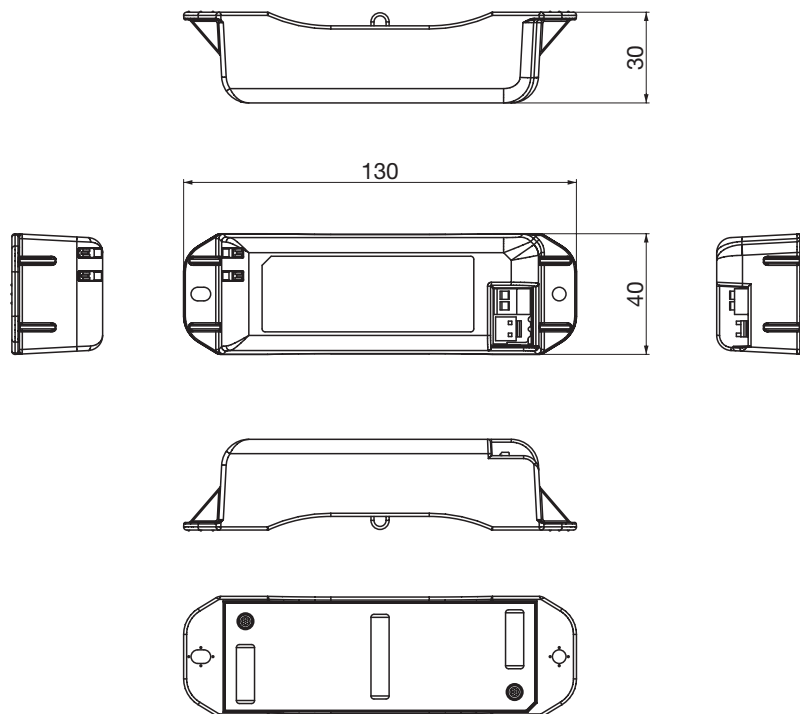
■ AC100V series input

| | | Output current | | |
|----------------|---|----------------|-------|-------|
| | | 120mA | 275mA | 350mA |
| Output voltage | 44V 12 LEDs or less (Serial connection) | 5.5W | — | — |
| | 12V 3 LEDs or less (Serial connection) | — | 3.5W | 4.2W |

■ AC 200V series input

| | | Output current | | |
|----------------|---|----------------|-------|-------|
| | | 120mA | 275mA | 350mA |
| Output voltage | 44V 12 LEDs or less (Serial connection) | 5.5W | — | — |
| | 12V 3 LEDs or less (Serial connection) | — | 3.5W | 4.2W |

DIMENSIONS



Unit: mm