

# Car Adaptors VAU Series

## OUTLINE

Car adaptor for small, portable electronic equipments used in cars. Practical design makes it easy to plug into the cigarette lighter socket.



## FEATURES

1. Standard Mitsumi case.
2. Uses 4 contact point method to improve reliability.
3. The switch ensures stable connection to any size cigarette lighter socket.

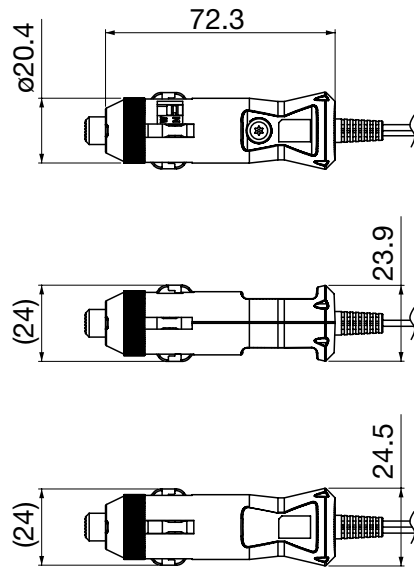
## USES

1. Small electronic equipment used in cars.

## SPECIFICATIONS

Item	Specifications
Input voltage	DC 12~24V
Output voltage	DC 12~24V (through output)
External dimensions	23.9 (W) × 72.3 (D) × 24.5 (H) mm

DIMENSION



Unit: mm

\*Depending on the structure of the area around the cigarette lighter jack, it may not be possible to plug in and use the Car Adaptor.