

AC Chargers for Li-ion Battery Pack DTC-S1P/S1I Series

Adaptors, Chargers/Switching Power Supplies

OUTLINE

The case matched to the battery shape can design. By the destination, either a plug type or inlet type can be responded.



FEATURES

1. Case specifications are semi-customized.
2. Both AC plug type and inlet type are available.
3. Input voltage supports worldwide input.
4. Output specifications can be customized.

USES

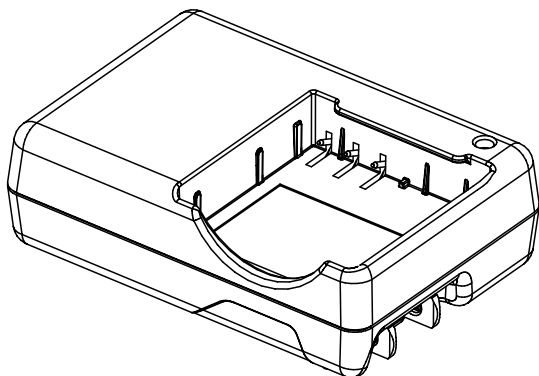
1. Li-ion battery.

SPECIFICATIONS

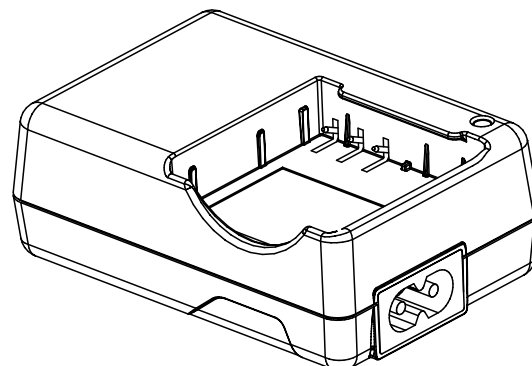
Item	Specifications
Input voltage	AC 100~240V
Output capacity	Possible for battery specification.
Safety standards	Plug type: Electrical Appliance and Material Safety Law (Japan), UL Inlet type: Conforms to IEC60950
External dimensions	It can be correspondence matched to the size of the battery.

DIMENSION

DTC-S1 PLUG



DTC-S1 INLET



Reference outline

*The size is adjustable to satisfy the battery specification.