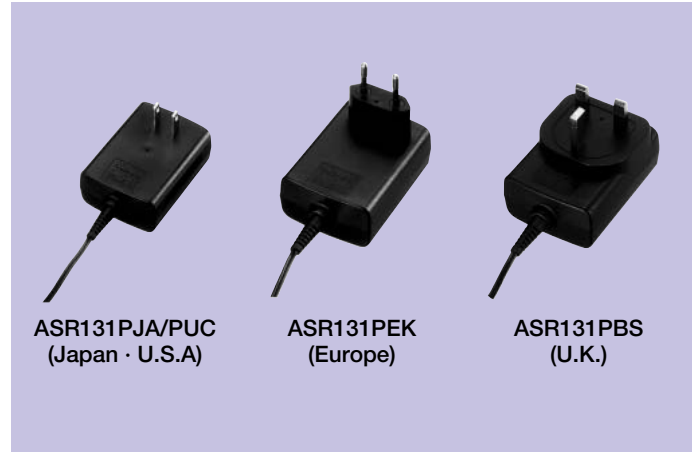


Worldwide Input System Compact type AC Adaptors ASR131P Series

Adaptors, Chargers

FEATURES

1. Small, light direct plug type.
2. Supports worldwide input (AC100~240V).
3. Complies with Electrical Appliance and Material Safety Law and UL standards.
<ASR131P>
EN60065 standards <ASR131PEK>
BS415 standards <ASR131PBS>
4. Output capacity : 13W (customer can specify output voltage and current)



ASR131PJA/PUC
(Japan · U.S.A)

ASR131PEK
(Europe)

ASR131PBS
(U.K.)

USES

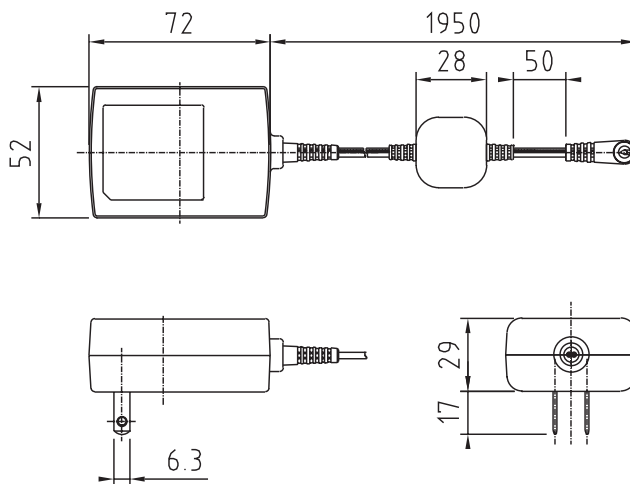
1. Power supply for digital still camera.
2. Power supply for portable devices.
3. Power supply for computer peripherals.

SPECIFICATIONS

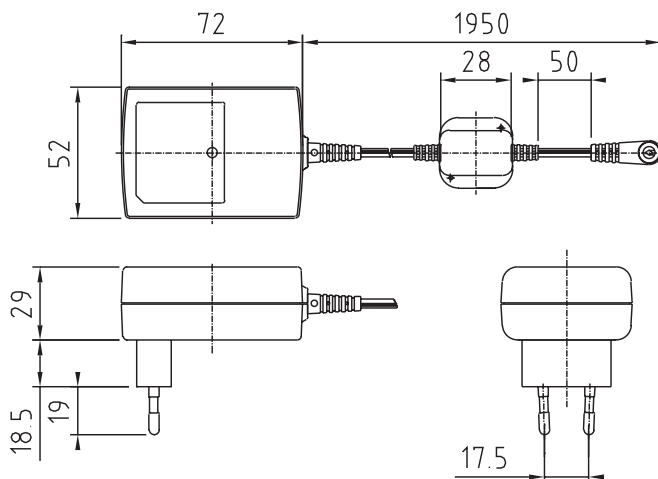
Item	Specifications
Input voltage	AC100~240V (50~60Hz)
Output capacity	13W
Applicable regions	Japan, U.S.A., Europe, U.K.
Safety standards	Electrical Appliance and Materials Safety Law (Japan), EN60950, EN60065, UL1310
External dimensions	72 (W) × 52 (L) × 29 (H) mm (Plug part is removed.)

DIMENSIONS

ASR131PJA/PUC (Japan · U.S.A)



ASR131PEK (Europe)



ASR131PBS (U.K.)

