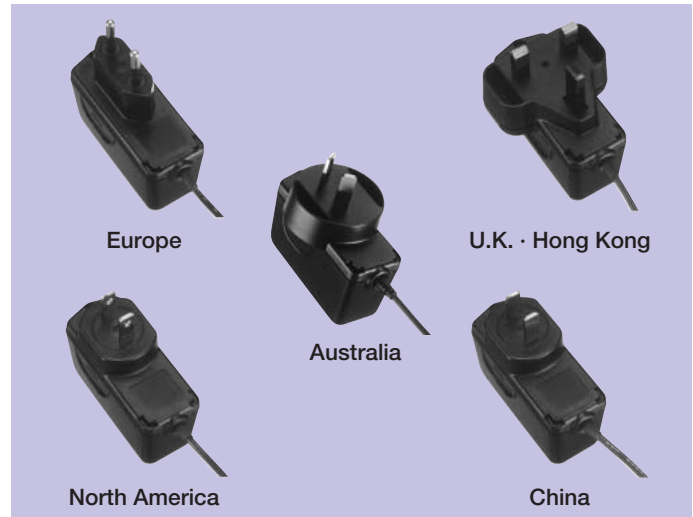


4W AC Adaptors with Worldwide Input ADP-W3 Series

Adaptors, Chargers/Switching Power Supplies

OUTLINE

Small, portable AC adaptor for use overseas.
Can meet safety standards for all destinations.



FEATURES

1. Standard Mitsumi case.
2. A series of small, standard cases is available for each country.
3. Input voltage supports worldwide input.
4. Output specifications can be customized.

USES

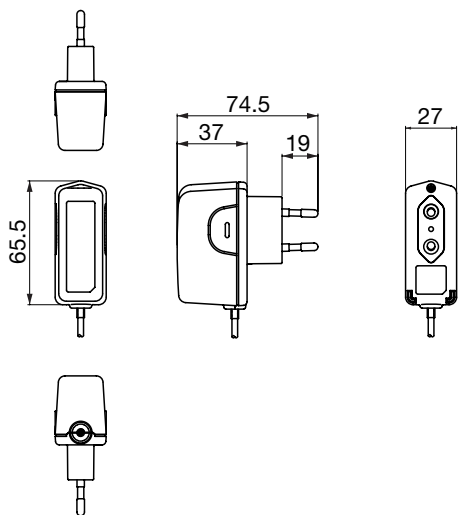
1. Mobile phones.
2. Small electric equipment.
3. Healthcare equipment.

SPECIFICATIONS

Item	Specifications
Input voltage	AC 100~240V
Output capacity	4W
Destinations	Europe, U.K., China, Hong Kong, North America, Australia, Thailand, Taiwan
Safety standards	Conforms to IEC60950
External dimensions	27 (W) × 65.5 (D) × 37 (H) mm (except for plug)

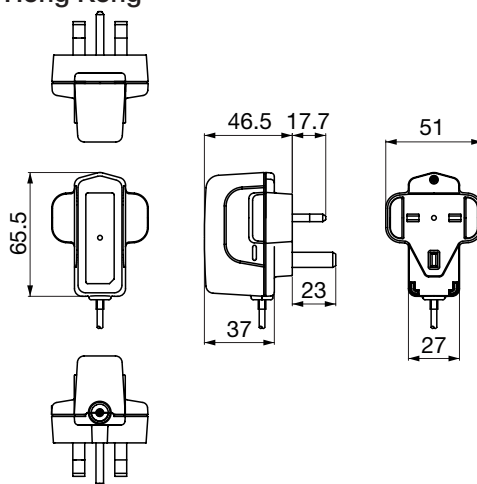
DIMENSIONS

Europe



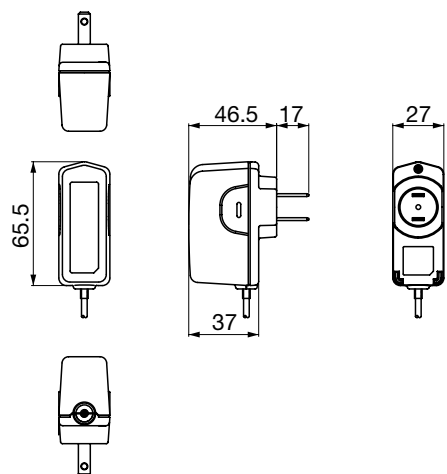
Unit: mm

U.K. · Hong Kong



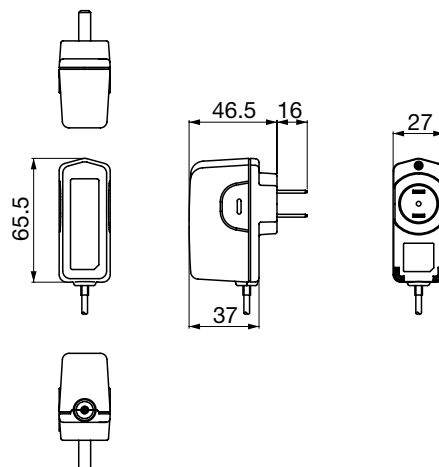
Unit: mm

North America



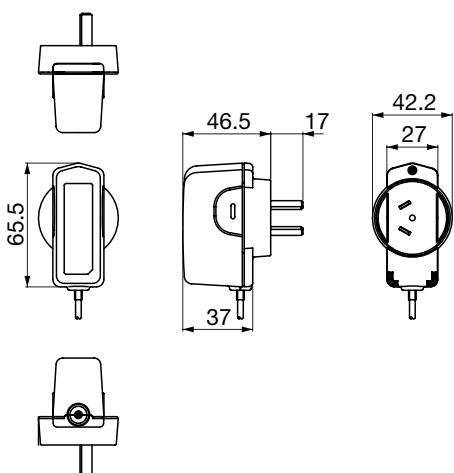
Unit: mm

China



Unit: mm

Australia



Unit: mm