

4W AC Adaptors (Japan) ADP-S3 Series

Adaptors, Chargers/Switching Power Supplies

OUTLINE

16.5mm thin AD adaptor. The AC plug can be stored inside the charger, providing excellent portability, and energy-saving design with low standby power is available.



FEATURES

1. Standard Mitsumi case.
2. Thinness gives excellent portability.
3. Energy-saving design with low standby power available.
4. Output specifications can be customized.

USES

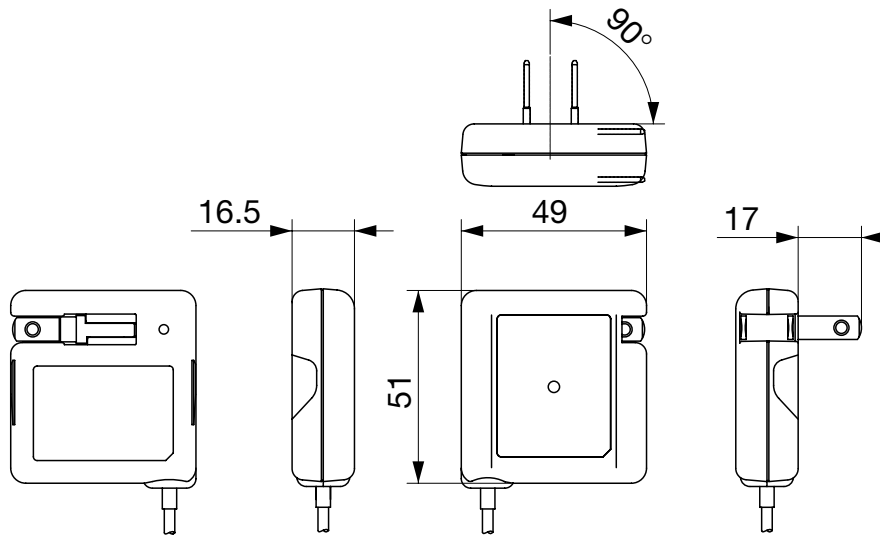
1. Mobile phones.
2. Small electric equipment.

SPECIFICATIONS

Item	Specifications
Input voltage	AC 100V
Output capacity	4W
Standby power	Less than 0.1W
Safety standards	Electrical Appliance and Material Safety Law (Japan)
External dimensions	49 (W) × 51 (D) × 16.5 (H) mm

DIMENSIONS

ADP-S3



Unit: mm