

10W Small AC Adaptors with Worldwide Input ADP-G3 Series

Adaptors, Chargers/Switching Power Supplies

OUTLINE

Ultra-small inlet type AC adaptor with 10W output capacity. Can meet safety standards for all destinations.



FEATURES

1. Standard Mitsumi case.
2. Input voltage supports worldwide input.
3. Output specifications can be customized.

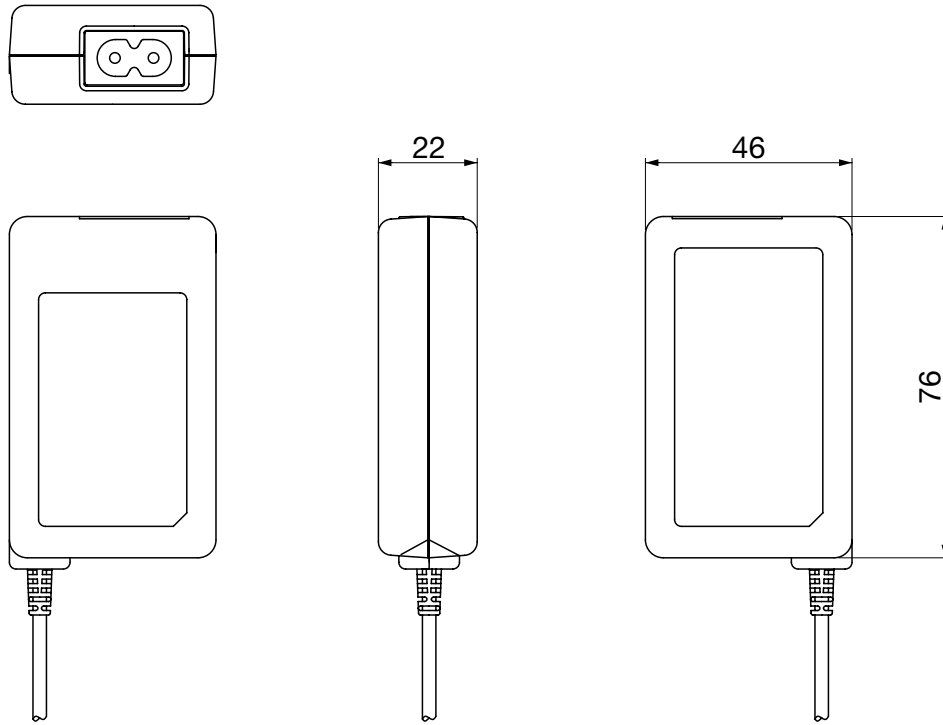
USES

1. Digital video cameras, Digital still cameras.
2. Small electric equipment.

SPECIFICATIONS

Item	Specifications
Input voltage	AC 100~240V
Output capacity	10W
Destinations	Whole-world correspondence
Safety standards	Conforms to IEC60950
External dimensions	46 (W) × 76 (D) × 22 (H) mm

DIMENSIONS



Unit: mm