

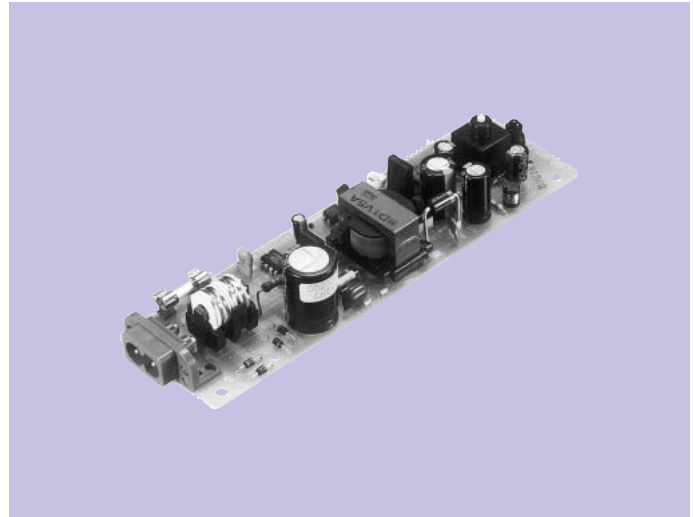
# Internal Power Supply For Audio Equipments and for Game Equipments

## SR670 Series

Adaptors, Chargers/Switching Power Supplies

### FEATURES

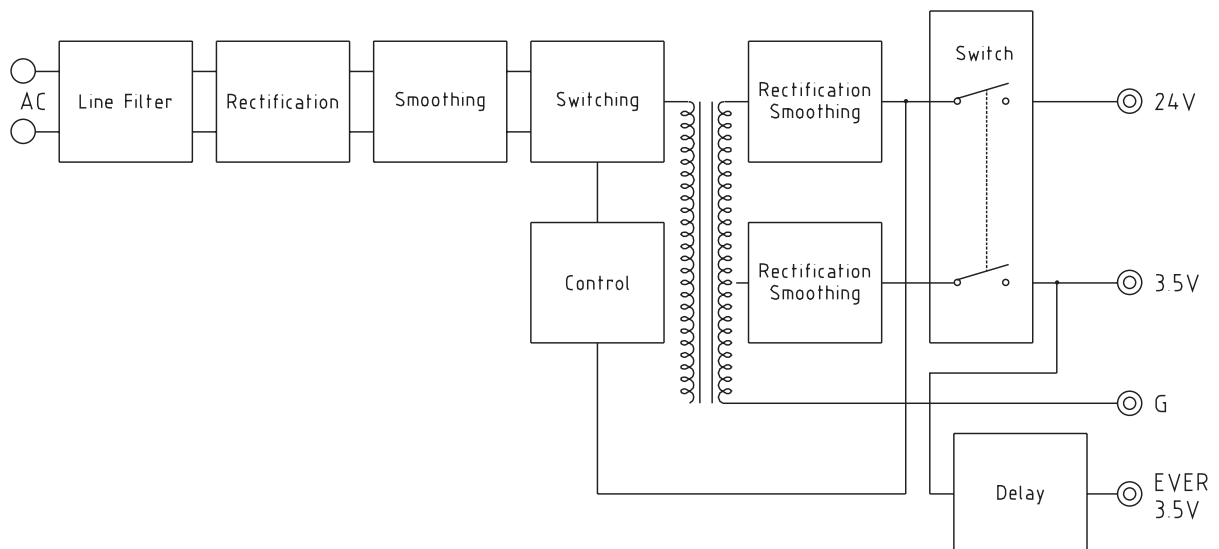
1. Built-in others on-off secondary output switch.
2. Built-in secondary reset signal output circuit.
3. Low heat generation due to on-off type switching power supply.
4. Custom power source to meet user specifications.



### USES

1. Audio equipments and for game equipments.

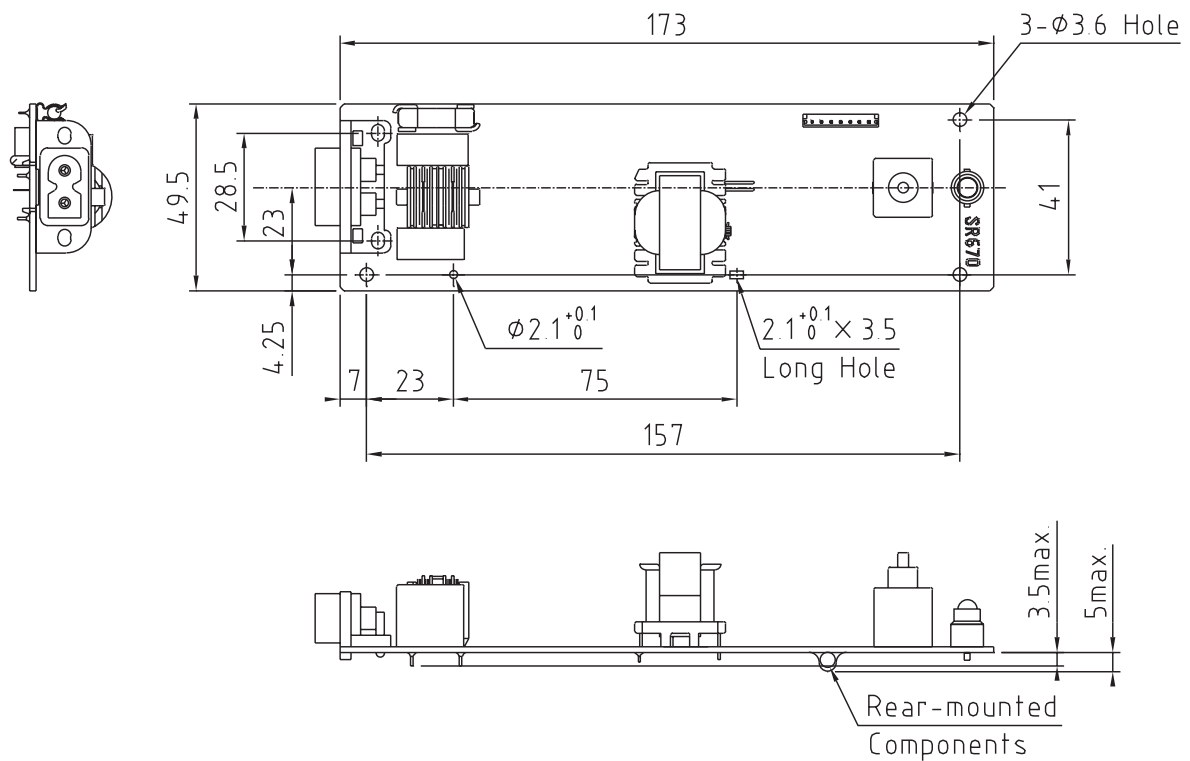
### BLOCK DIAGRAM



## SPECIFICATIONS

Item	Specifications	
Models	SR670	SR674
Destination	North America	Japan
Input Voltage	AC 120V	AC 100V
Output Voltage-Current	3.5V	2A
	8V	1.5A (Peak 2A)
	EVER 3.5V	0.03A
Reset Circuit	Yes	Yes

## DIMENSIONS



Unit : mm