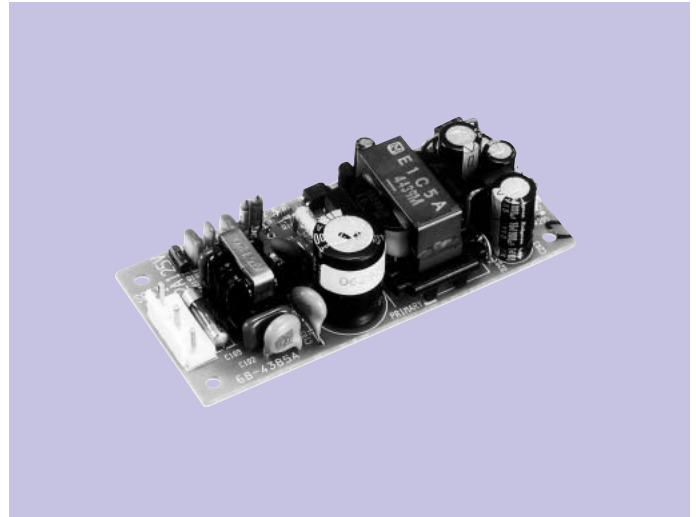


Internal Power Supply For OA Equipments SR534 Series

Adaptors, Chargers/Switching Power Supplies

FEATURES

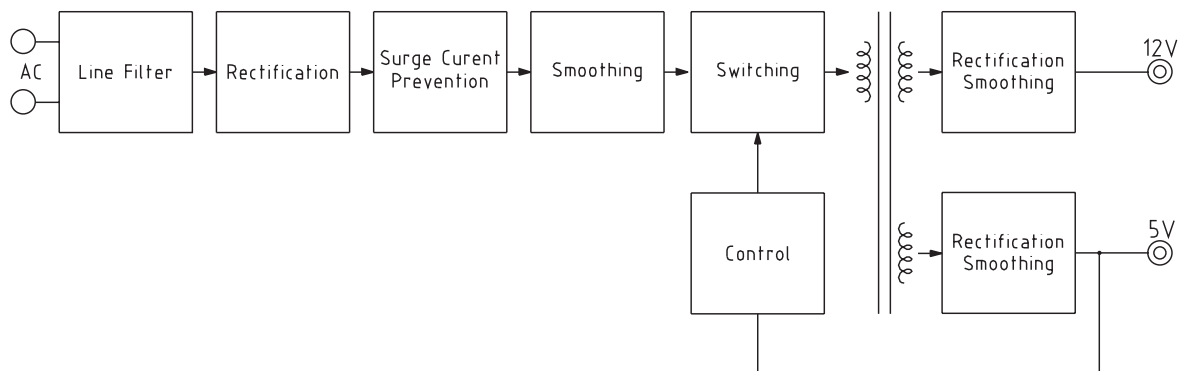
1. Compactly built, cost-efficient, low noise and both overcurrent and overvoltage protection provided.



USES

1. OA equipments.

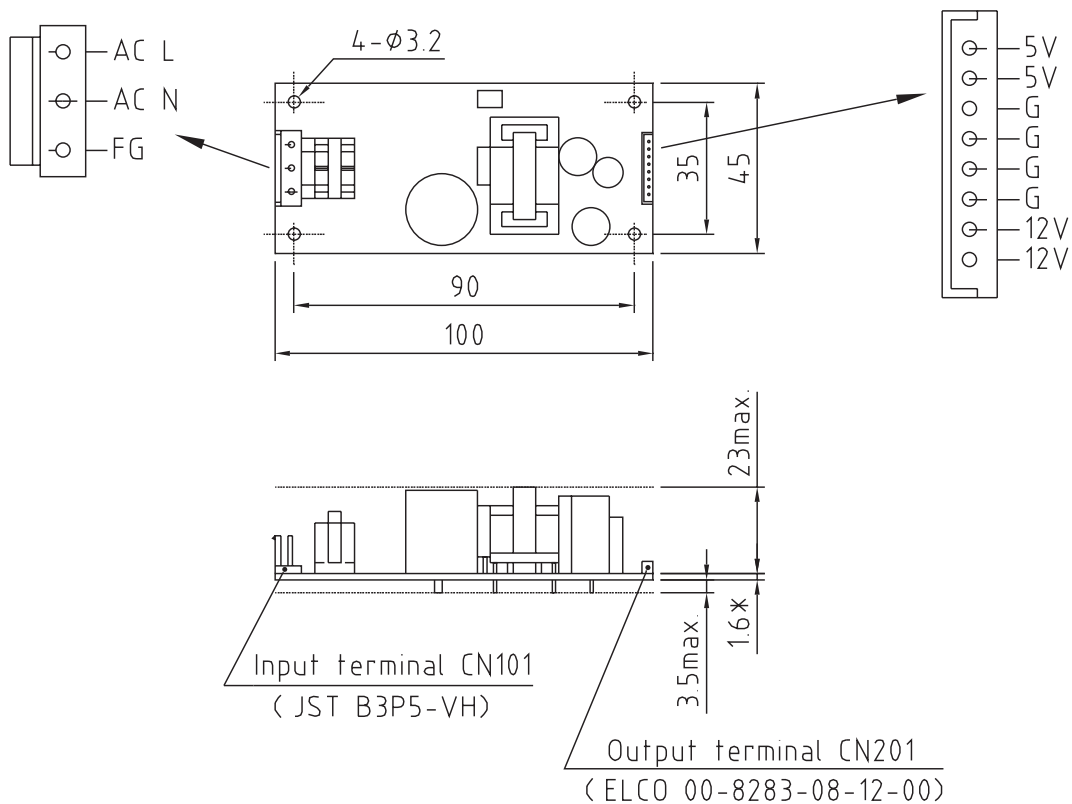
BLOCK DIAGRAM



SPECIFICATIONS

Item		Specification	
Input	Rated voltage	AC 100V	
	Operating voltage width	AC 100-120V	
	Frequency	50/60Hz	
	Rated input Current	0.4A (at rated load)	
	Rush current	25A (at cold start)	
	Efficiency	70% typ. (at rated load)	
Output	Rated voltage	5V	12V
	Voltage fluctuation width	4.75V to 5.25V	11.4V to 13.2V
	Rated current	1A	1A
	Peak current	0.1A to 1A	0.1A to 1A
	Overall rated output current	-	
	Ripple	50mV	100mV
	Ripple noise	100mV	200mV
	Output holding time	30ms and over	
Protective function	Overcurrent protection	Provided.	
	Overvoltage protection	Through Zenor diode	
	Operating temperature limit	0°C to 50°C	
Environmental Condition	Storage temperature limit	-20°C to 60°C	
	Operating humidity limit	10% to 90% (non-condensing)	
	Storage humidity limit	5% to 95% (non-condensing)	
	Oscillation (amplitude : 1.5mm)	When carrying out test (10Hz to 55Hz) at one minute interval in directions of X, Y and Z, for one hour nothing abnormal results.	
	Drop test	When carrying out a 70cm drop test under packaged condition nothing abnormal results.	
	Insulation	Input-FG, output	AC 1500V/one minutes
Withstand pressure	Input-FG, output	50MΩ or over (DC 500V)	
	Noise terminal voltage	Compliant with VCCI 2 Class	
Adaptive standard	Safety standard	Compliant with the electrical appliances and materials safety law.	

DIMENSIONS



Unit : mm