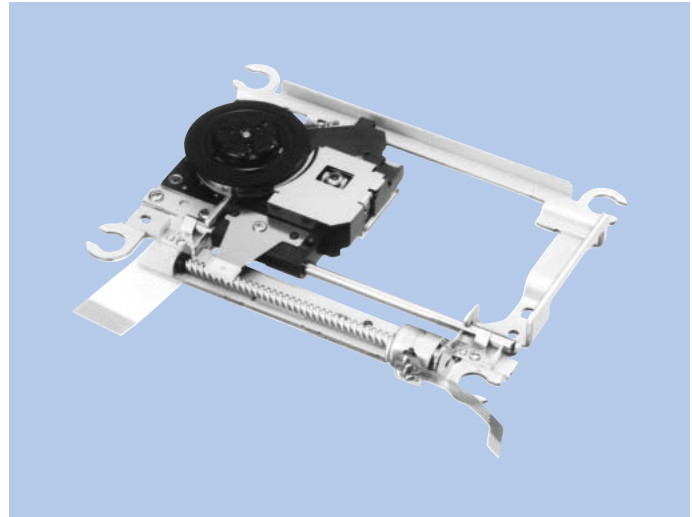


# Traverse Mechanism TDP082W

## FEATURES

1. Optical mechanism for DVD.
2. Compatible with DVD, CD, VCD.



## USES

DVD Video Player.

## SPECIFICATIONS

Optical Pick up : equipped with PVR-802W

### ●OPTICAL SPECIFICATIONS

Item	Specification
Objective Lends	Numerical Aperture CD : 0.47 DVD : 0.60
	Working Distance CD : 0.89mm DVD : 1.25mm
Laser Diode	Laser Wave Length CD : 770~800nm DVD : 645~660nm
Servo Error Detection Method	Focus Error CD : Astigmatism method DVD : Astigmatism method
	Tracking Error CD : 3 - spot method DVD : Differential Phase Detection method

### ●MECHANICAL SPECIFICATIONS

Item	Specification
Mass	About 80g
Dimensions	98.3(D)× 72.7(W)× 13.3(H)mm
Movable Distance of the Actuator	Focus Axis : At movement neutralization position ± 0.7mm or more
	Tracking Axis : At movement neutralization position ± 0.4mm or more

●ELECTRICAL SPECIFICATIONS

Item	Specification	
2-Axis Actuator	Resonant Frequency	FCS : 55Hz TRK : 57Hz
	DC Sensitivity (at 5Hz)	FCS : 1.15mm/V TRK : 0.57mm/V
	AC Sensitivity (at 1kHz)	FCS : 2.5µm/V TRK : 1.3µm/V

DIMENSIONS

