

DC Mini-Motors M25E-4L Series

DC Mini-Motors

APPLICATIONS

Optical Drive (CD-ROM, CD-R/RW, DVD-ROM and others)
CD, MD, DVD Player

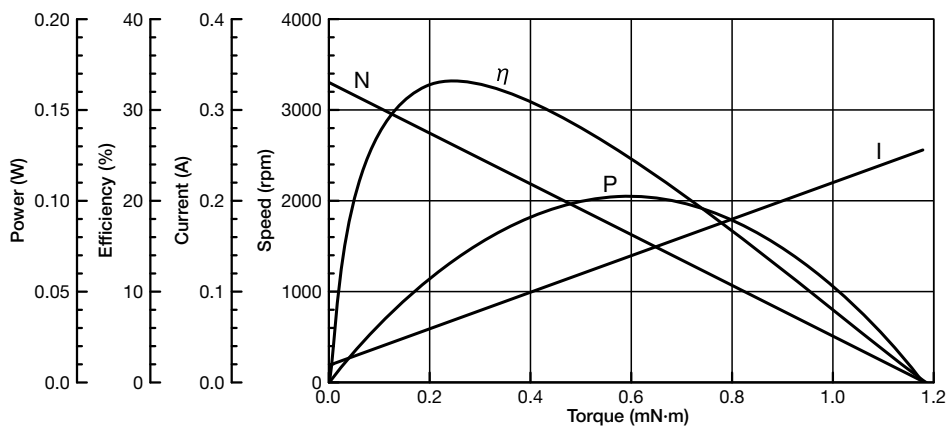


SPECIFICATIONS

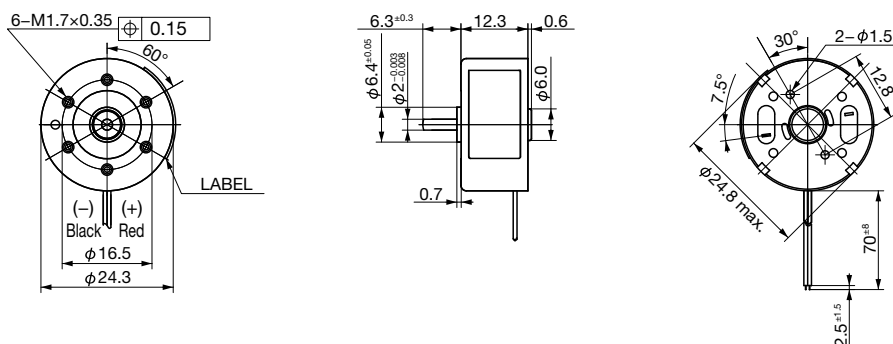
Items	Specifications
Rated Voltage	3.0V
Voltage Range	1.0~7.0V
Rated Load	0.39mN·m
No Load Speed	3,300rpm
No Load Current	100mA or less
Starting Torque	1.18mN·m
Rotation	CW/CCW

*Characteristics and the shaft length can be customized. Terminal type is selectable as options.
The weight is available as options.

CHARACTERISTICS



DIMENSIONS



Unit : mm

• Any products mentioned in this catalog are subject to any modification in their appearance and others for improvements without prior notification.
• The details listed here are not a guarantee of the individual products at the time of ordering. When using the products, you will be asked to check their specifications.