

# DC Mini-Motors M25E-11 Series

## Applications

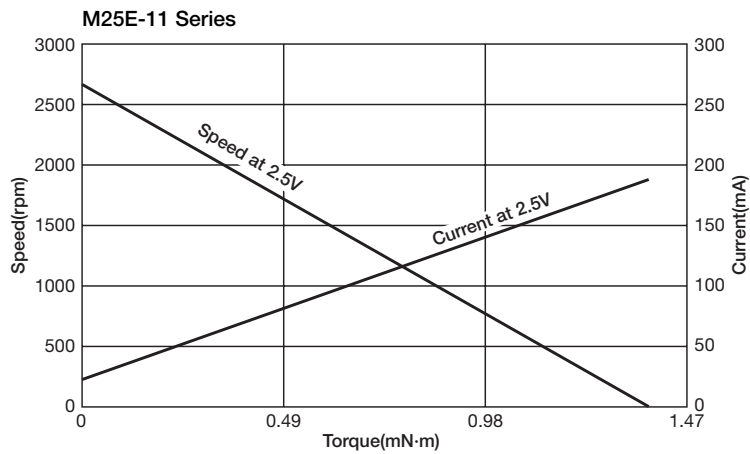
- 1. CD/MD Player

## SPECIFICATIONS

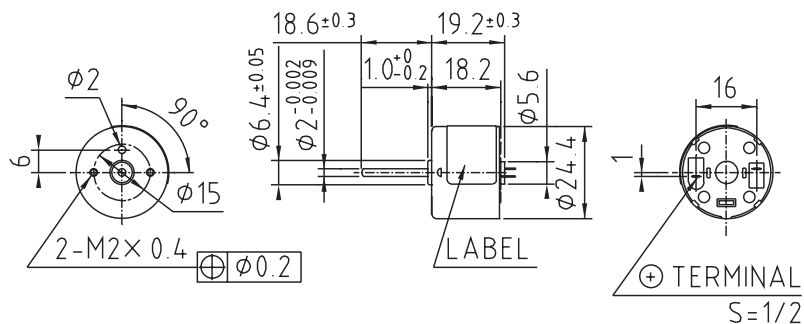
Items	SPEC-NO	R14 1341
Rated Voltage (V)		2.5
Voltage Range (V)		1.0~6.0
Rated Load (mN·m)		0.29
No Load Speed (rpm)		2650
No Load Current (mA)		30
Starting Torque (mN·m)		1.372
Rotation		CW
Application		SPINDLE



## CHARACTERISTICS



## DIMENSIONS



Unit : mm