

DC Mini-Motors M25E-10 Series (2)

Applications

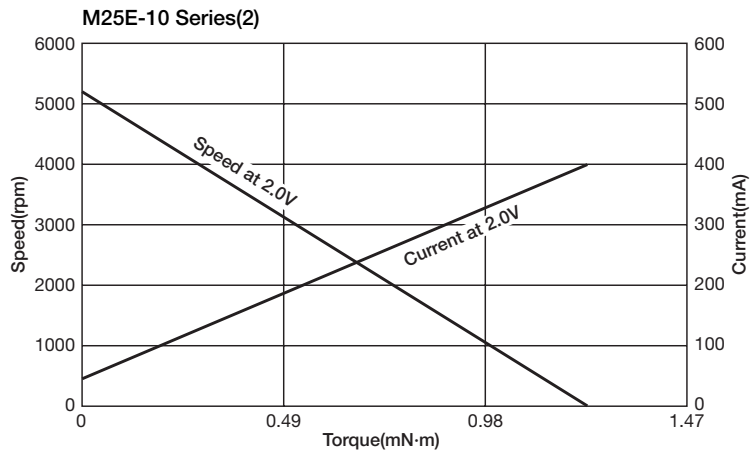
1. CD/MD Player
2. CD-ROM/DVD-ROM Drive
3. CD-R/RW Drive



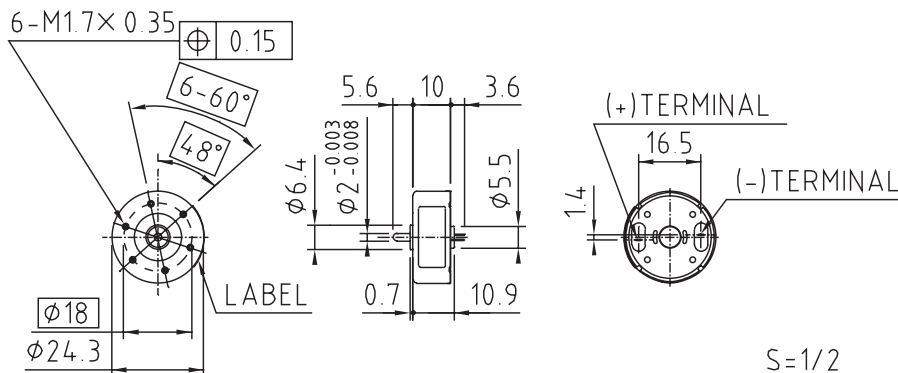
SPECIFICATIONS

Items	SPEC-NO	R14 1317
Rated Voltage (V)		2
Voltage Range (V)		1.0~5.0
Rated Load (mN·m)		0.39
No Load Speed (rpm)		5140
No Load Current (mA)		45
Starting Torque (mN·m)		1.264
Rotation		CW

CHARACTERISTICS



DIMENSIONS



Unit : mm