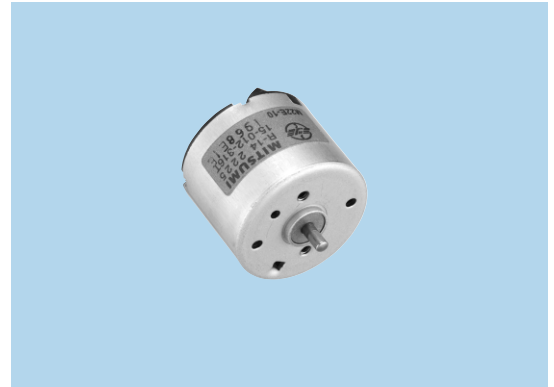


DC Mini-Motors

M22E-10 Series

Applications

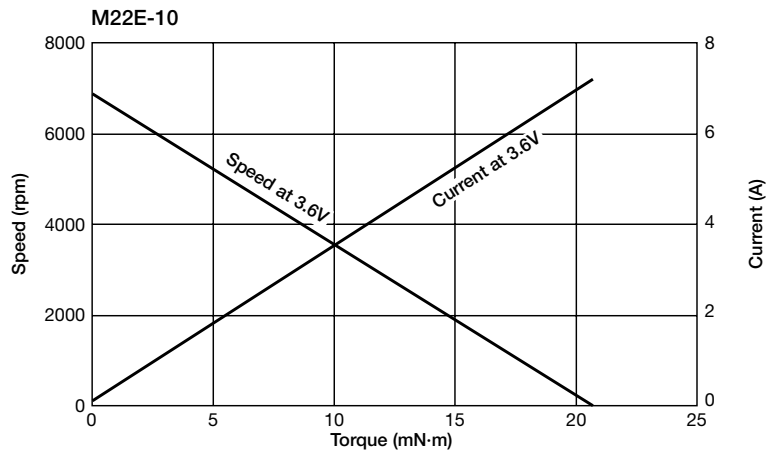
Shaver



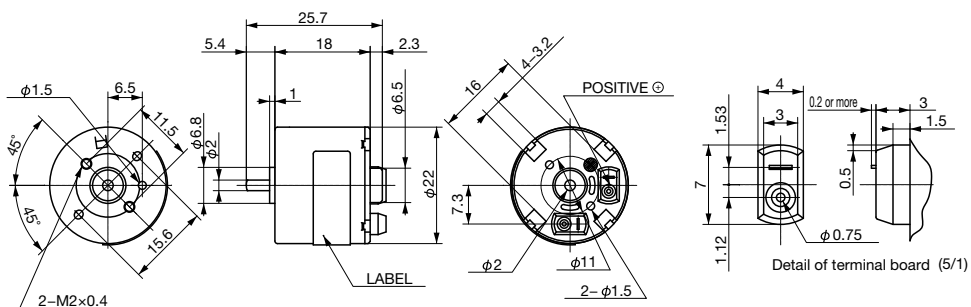
SPECIFICATIONS

Item	SPEC-NO
Rated Voltage (V)	3.6
Voltage Range (V)	2.5~4.0
Rated Load (mN·m)	2.0
No Load Speed (rpm)	6900
No Load Current (mA)	120
Starting Torque (mN·m)	20.7 or more
Rotation	CW

CHARACTERISTICS



DIMENSIONS



Unit : mm