

DC Mini-Motors M15N-3 Series

DC Mini-Motors

Applications

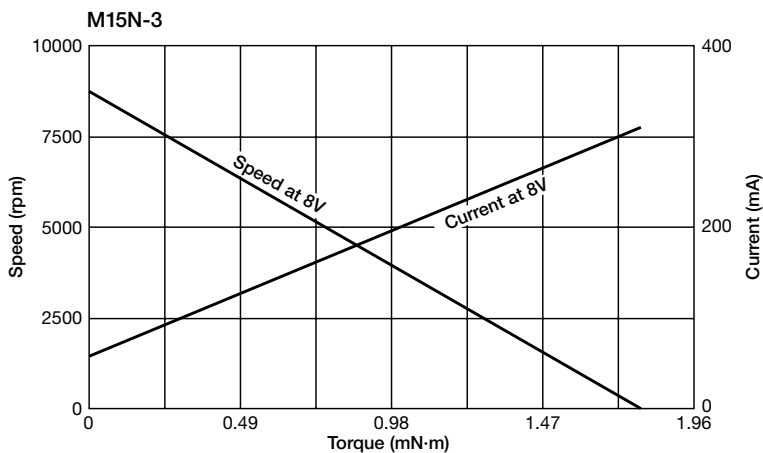
Scanner



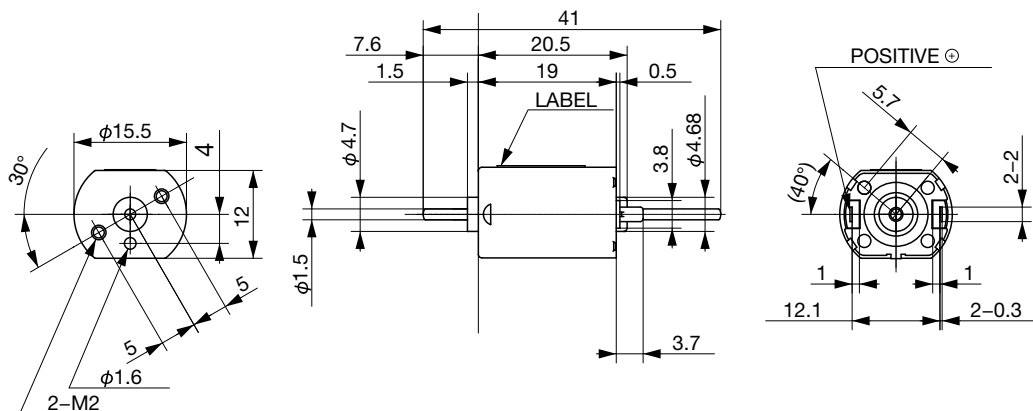
SPECIFICATIONS

Item	SPEC-NO
Rated Voltage (V)	8
Voltage Range (V)	2~8
Rated Load (mN·m)	0.7
No Load Speed (rpm)	8750
No Load Current (mA)	100 or less
Starting Torque (mN·m)	1.4 or more
Rotation	CW/CCW

CHARACTERISTICS



DIMENSIONS



Unit : mm