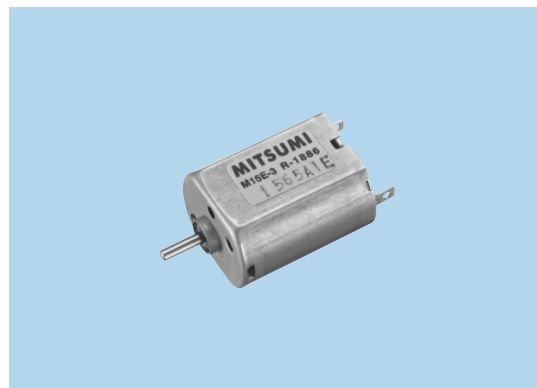


# DC Mini-Motors M15E-3 Series

DC Mini-Motors

## APPLICATIONS

Car-Audio

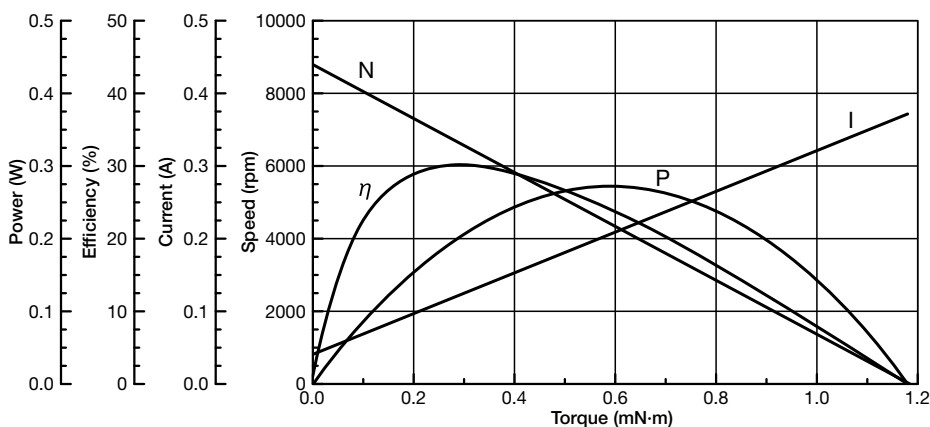


## SPECIFICATIONS

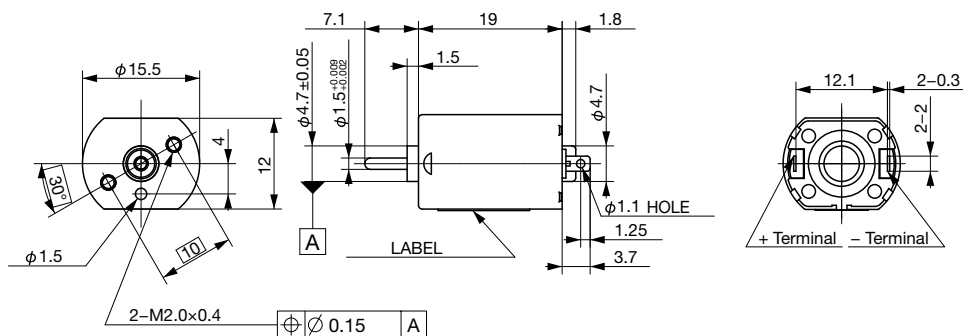
Items	Specifications
Rated Voltage	5.5V
Voltage Range	1.5~8.0V
Rated Load	0.539mN·m
No Load Speed	8,800rpm
No Load Current	85mA or less
Starting Torque	1.18mN·m
Rotation	CW/CCW

\*Characteristics and the shaft length can be customized.

## CHARACTERISTICS



## DIMENSIONS



Unit : mm

• Any products mentioned in this catalog are subject to any modification in their appearance and others for improvements without prior notification.  
 • The details listed here are not a guarantee of the individual products at the time of ordering. When using the products, you will be asked to check their specifications.