

# Stepping Motors

## M42SP-4

### OUTLINE

A high-resolution model "M42SP-4" which is the only motor that has 3.75° step angle among the stepping motor series. Despite the modest body size (o.d. : 42mm, thickness : 15.7/17.7mm) this motor has high output characteristic, excellent running quietness and stability.



### FEATURES

1. High output torque, and high resolution.
2. Superior running quietness and stability.
3. Step angle : 3.75°.
4. Excellent responsiveness acquired.

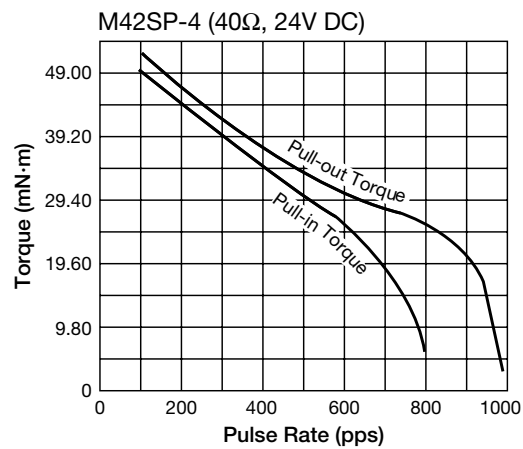
### USES

Printers, multifunction machines, copy machines, FAX, and such.

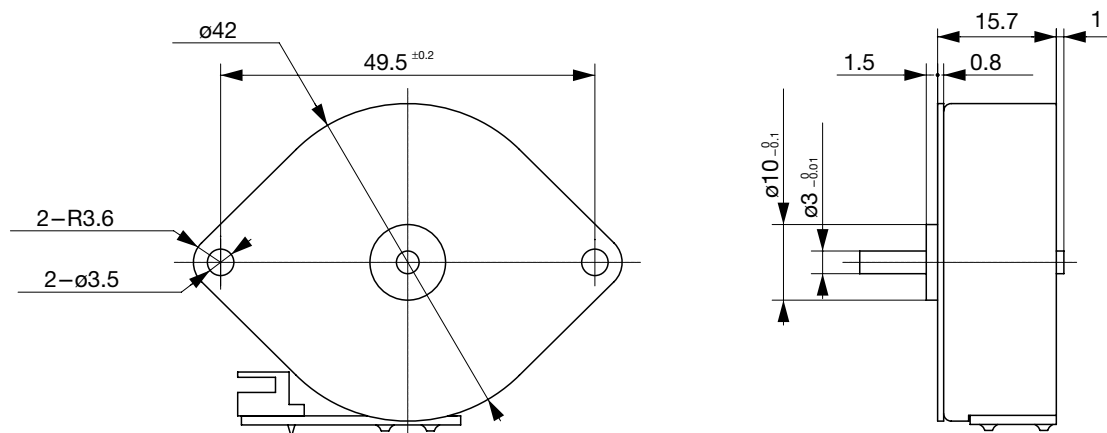
## SPECIFICATIONS

Items	M42SP-4
Rated Voltage	DC 24V
Working Voltage	DC 21.6~26.4V
Rated Current/Phase	646mA
No. of Phase	4 Phase
Coil DC Resistance	40Ω
Step Angle	3.75°/step
Excitation Method	2-2 Phase excitation (Unipolar driving)
Insulation Class	Class E insulation
Holding Torque	70.6mN·m
Pull-out Torque	45.1mN·m/200pps
Pull-in Torque	41.7mN·m/200pps
Max. Pull-out Pulse Rate	1,050pps
Max. Pull-in Pulse Rate	800pps

## CHARACTERISTICS



## DIMENSIONS



Unit : mm, General tolerance : ±0.5